



TKD/CE - TKD/CP DN 10÷50

PVC-U/PVC-C/PP-H

ELECTRICALLY OR PNEUMATICALLY ACTUATED
THREE-WAY DUAL BLOCK® BALL VALVE



TKD/CE – TKD/CP DN 10÷50

FIP has developed a TKD DUAL BLOCK® ball valve to introduce a high reference standard in thermoplastic valve design. TKD is a True Union diverting and mixing ball valve that meets the most stringent needs required in industrial applications.



ELECTRICALLY OR PNEUMATICALLY ACTUATED THREE-WAY DUAL BLOCK® BALL VALVE

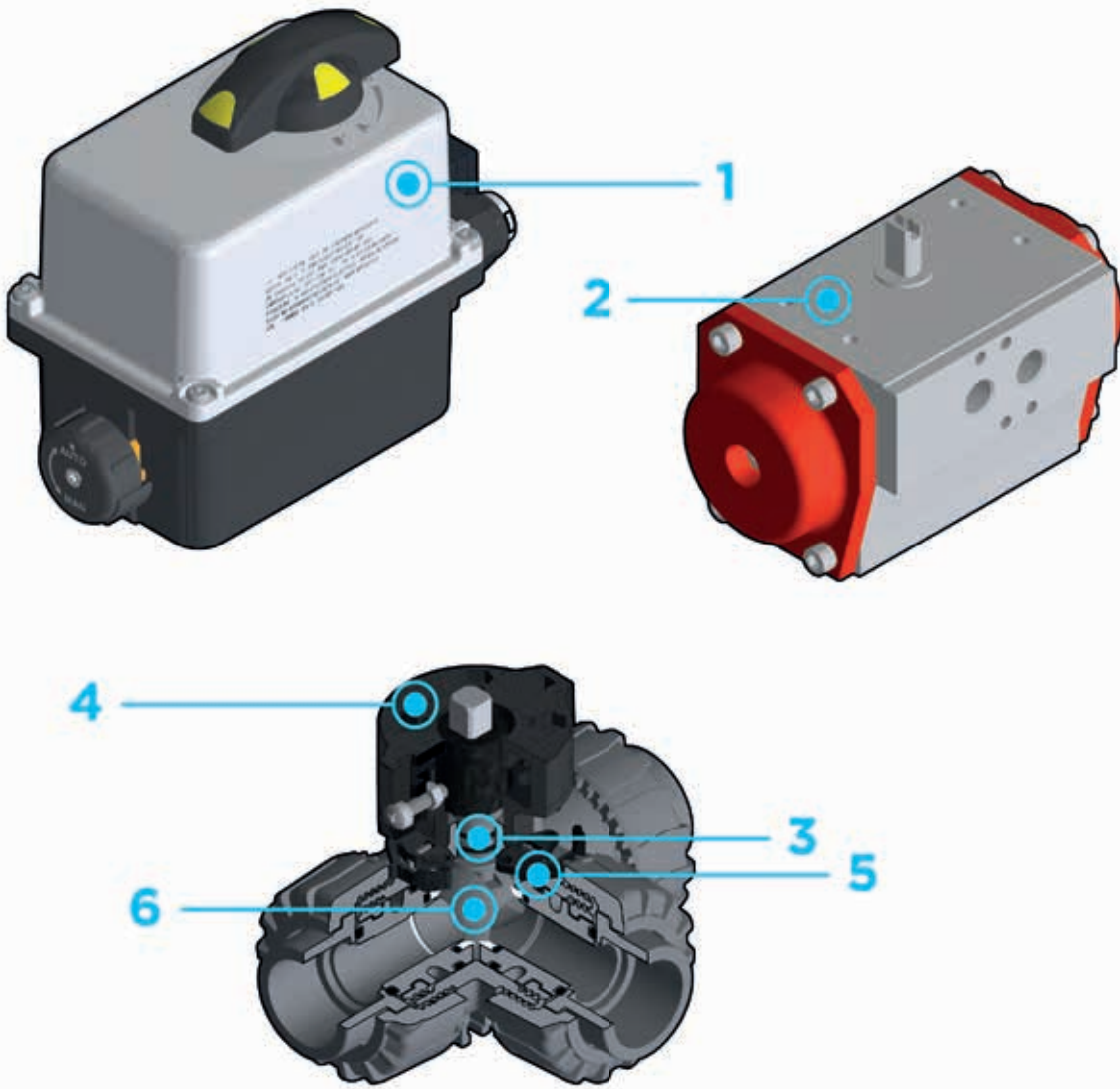
- Joint system for solvent welding (PVC-U and PVC-C only), for welding (PP-H only), for threading
- Patented SEAT STOP® ball seat carrier system that lets you micro-adjust ball seats and minimise axial force effects
- Easy radial disassembly allowing quick replacement of O-rings and ball seats without any need for tools
- Radial dismounting valve body (True Union) made for PVC-U, PVC-C and PP-H injection moulding equipped with built-in bores for actuation. ISO 9393 compliant test requisites
- Option of disassembling downstream pipes with the valve in the closed position
- High surface finish stem with double O-Ring and double connection key to the ball, equipped with visual ball position indicator for correct handle installation
- Integrated bracket for valve anchoring
- Possibility of installing pneumatic and/or electric actuators thanks to the robust anchor tower for easy and quick automation using the Power Quick module.

Technical specifications - TKD	
Construction	3-way radial dismounting ball valve with locked carrier and union nuts.
Size range	DN 10 ÷ 50
Nominal pressure	PVC-U: PN 16 with water at 20° C PVC-C: PN16 with water at 20° C PP-H: PN10 with water at 20° C
Temperature range	PVC-U: 0 °C ÷ 60 °C PVC-C: 0° C ÷ 100° C PP-H: 0° C ÷ 100° C
PVC-U coupling standards	Solvent welding: EN ISO 1452, EN ISO 15493, BS 4346-1, DIN 8063, NF T54-028, ASTM D 2467, JIS K 6743. Can be coupled to pipes according to EN ISO 1452, EN ISO 15493, DIN 8062, NF T54-016, ASTM D 1785, JIS K 6741. Thread: ISO 228-1, DIN 2999, ASTM D 2464, JIS B 0203.
PVC-C coupling standards	Solvent welding: EN ISO 15493, ASTM F 439. Can be coupled to pipes according to EN ISO 15493, ASTM F 441 Thread: ISO 228-1, DIN 2999, ASTM F 437
PP-H coupling standards	Welding: EN ISO 15494 Can be coupled to pipes according to EN ISO 15494 Thread: ISO 228-1, DIN 2999
Reference standards	PVC-U construction criteria: EN ISO 16135, EN ISO 1452, EN ISO 15493 PVC-C construction criteria: EN ISO 16135, EN ISO 15493 PP-H construction criteria: EN ISO 16135, EN ISO 15494 Test methods and requirements: ISO 9393 PVC-U/PVC-C installation criteria: DVS 2204, DVS 2221, UNI 11242 PP-H installation criteria: DVS 2202-1, DVS 2207-11, DVS 2208-1, UNI 11318 Actuator couplings: ISO 5211
Valve material	PVC-U / PVC-C / PP-H
Seal material	EPDM, FKM (standard size O-Rings); PTFE (ball seats)
Control options	Electric actuator; pneumatic actuator

In addition to the manually actuated version, TKD is also available in TKD/CE electrically actuated and TKD/CP pneumatically actuated configurations. Actuators are firmly connected to the valve by the special FIP Power Quick modules fully made of PP-GR technopolymer. TKD/CE and TKD/CP are constructed with actuators meeting current regulations and selected by FIP according to their quality and reliability requirements. The efficiency of these valves, tested according to the company's quality standards, is guaranteed by the expertise and know-how that FIP dedicates to manufacturing its products.

Technical specifications - Electric actuator	
Reference standards	Construction criteria: Electromagnetic compatibility EMC 2004/108/CE. Low voltage directive 2006/95/CE. Machinery directive 2006/42/CE. R.O.H.S. directive 2011/65/CE Coupling for valves: ISO 5211; DIN 3337
Actuator material	Plastic parts: PA6,6 FV 30% and Nylon. Metallic parts: 304L stainless steel or steel + tin-plating
Supply Voltage	12V DC* - 24V AC/DC - 90-240V AC - 400V three phase* *voltages available upon request
Temperature range	From -10 °C to +55 °C
Standard equipment	<ul style="list-style-type: none"> • Manual safety override • Visual position indicator • Two auxiliary limit switches (5A) adjustable FC1, FC2 • Torque limiter • Heating resistor (for 12V DC)
Accessories	<ul style="list-style-type: none"> • Positioner board 4-20 mA or 0-10V DC • Fail Safe unit • Anti-condensation heating element • Feedback potentiometer 100 - 1000 - 5000 - 10000 Ohm • 4-20 mA position transmitter • Additional pair of auxiliary limit switches • 3rd position 180°
Special versions upon request	<ul style="list-style-type: none"> • CEI34 50% service • Protection class IP68 or ATEX II 2 GD EEx d IIB T6 • Different operating times
Electrical connection	<ul style="list-style-type: none"> • Power supply: DIN 43650 connector 3P + GND • Limit switch: Cable gland ISO M20

Technical specifications - Pneumatic actuator	
Reference standards	Construction criteria: Machinery directive 2006/42/CE R.O.H.S. directive 2011/65/CE EN 15714-3 Coupling for valves: ISO 5211, DIN 3337 Compressed air connections: NAMUR VDI/VDE-3845 Top connections for accessories: NAMUR VDI/VDE-3845
Actuator material	Body: hard coat anodised extruded aluminium. IP67 Bonnet: polyester powder painted aluminium alloy Pinion: nickel-plated carbon steel Other materials available upon request
Control air pressure	From 5 to 8 bar. Pmax= 10 bar Reduced control pressure executions available upon request
Power supply	Dry or lubricated filtered compressed air. If using other fluids, contact the FIP service centre
Temperature range	From -20 °C to +80 °C
Standard equipment	• Optical position indicator
Accessories	<ul style="list-style-type: none"> • LSQT electromechanical and PNP inductive limit switch boxes (Namur upon request) • Electric-pneumatic positioner 4-20 mA • 3-5/2 way pilot solenoid valves
Available options	Body and bonnet with PTFE, AISI 316 or AISI 316 coating with mirror polishing. 304 or 316 stainless steel pinion.



1 Electric actuator constructed according to FIP specifications; with plastic shell and standard emergency override. Available with voltages from 12 to 240V.

2 Rack & pinion type pneumatic actuator constructed according to FIP specifications: fully protected against weather corrosion available in double-acting (DA) or simple-acting normally closed (NC) or normally open (NO) versions. Three different positions according to 2 configurations are possible with T ball: 0°-90°-180° and 0°-90°-270°.

3 High surface finish stem with double O-Ring. The double connection key system guarantees solid and reliable actuator torque transmission to the ball.

4 Easy to install **PowerQuick** module for pneumatic or electric actuator fully made of highly robust technopolymer.

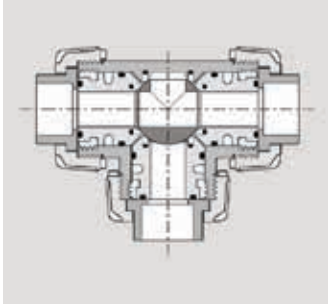
5 **DUAL BLOCK®** patented lock system that ensures union nut tightening hold even in severe conditions such as vibrations or heat dilation.

6 **Ball shutter** high surface finish with floating type full passage with **T** or **L** port.

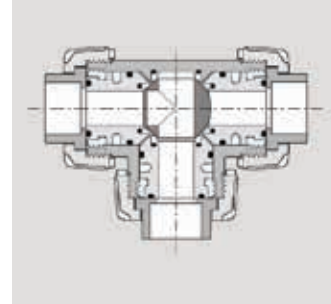
THREE-WAY VALVE CONFIGURATIONS WITH "T" BALL

CONFIGURATION 1

Pos. 0°

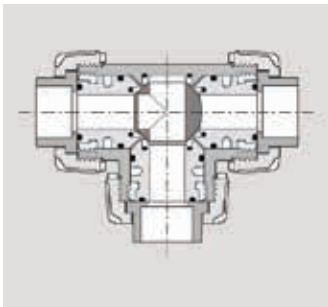


Pos. 90°

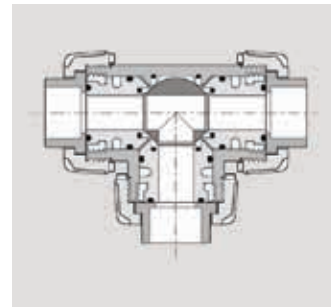


CONFIGURATION 2

Pos. 0°

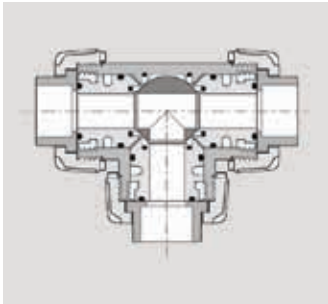


Pos. 90°

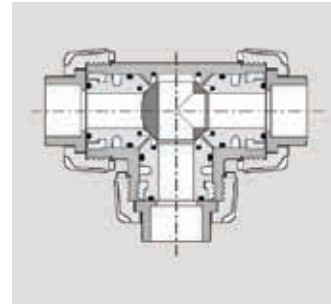


CONFIGURATION 3

Pos. 0°

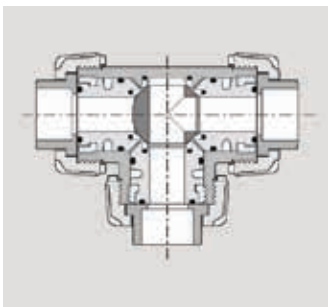


Pos. 90°

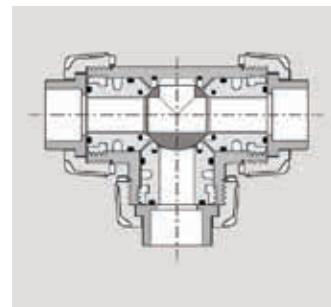


CONFIGURATION 4

Pos. 0°



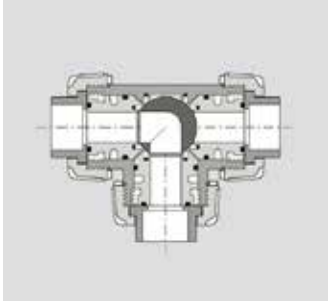
Pos. 90°



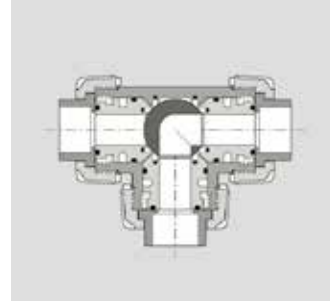
THREE-WAY VALVE CONFIGURATIONS WITH "L" BALL

CONFIGURATION 1

Pos. 0°



Pos. 90°

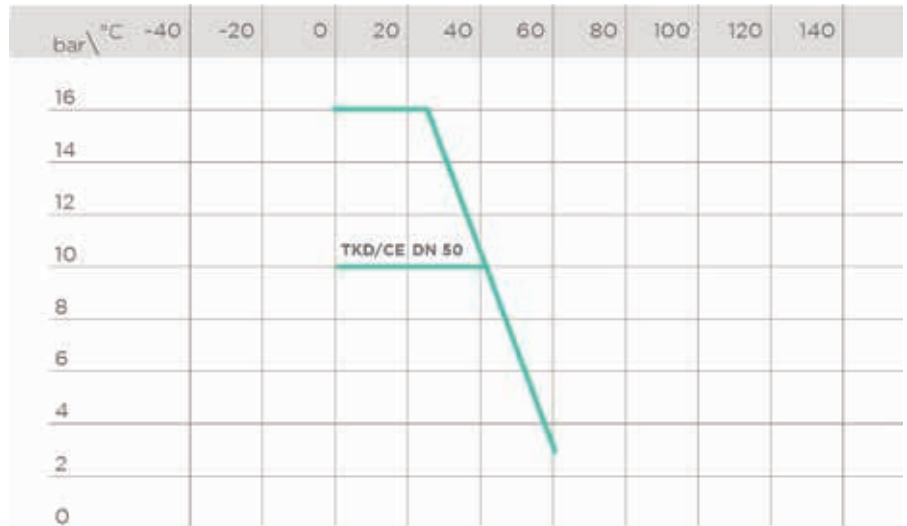


TECHNICAL DATA

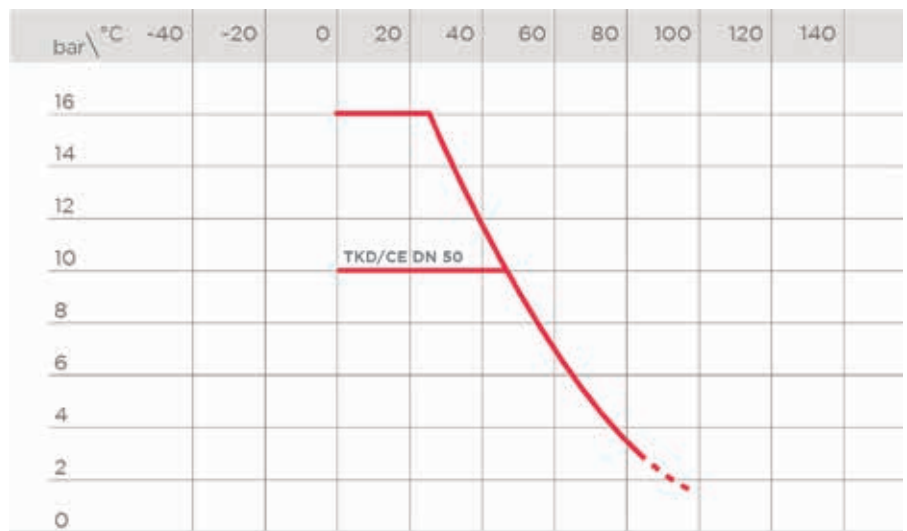
PRESSURE VARIATION ACCORDING TO TEMPERATURE

PVC-U BODY

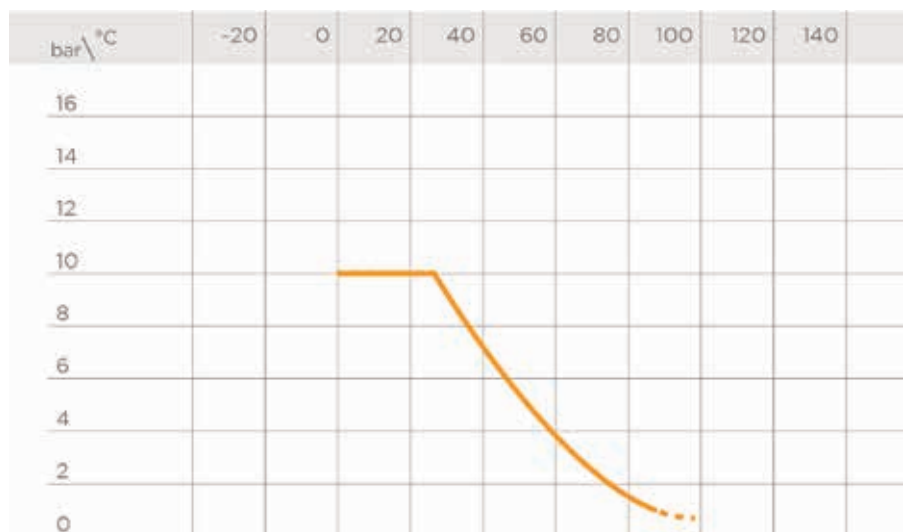
For water and non-hazardous fluids with regard to which the material is classified as CHEMICALLY RESISTANT. In other cases, a reduction of the nominal pressure PN is required (25 years with safety factor).



PVC-C BODY

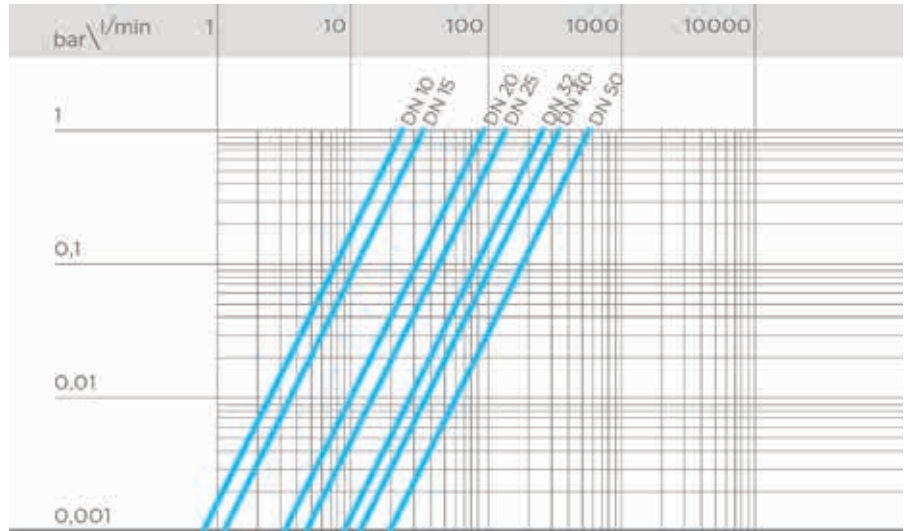
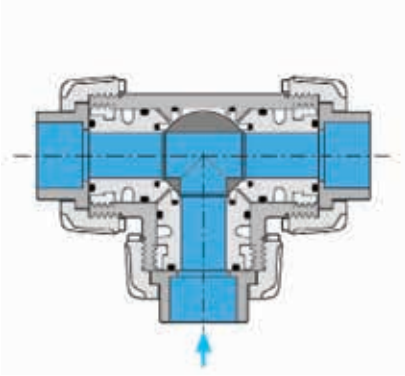


PP-H BODY

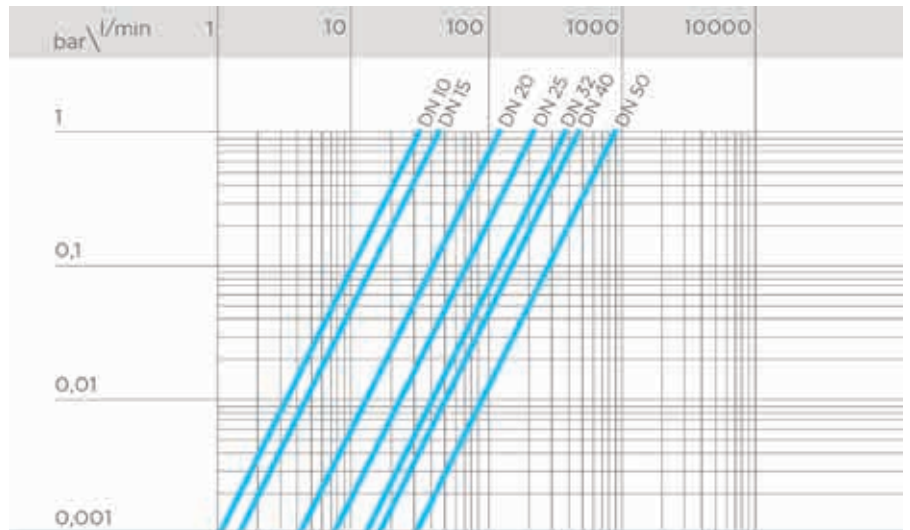
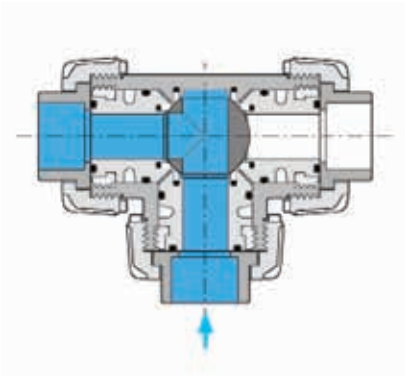


PRESSURE DROP GRAPH AND WORK POSITIONS

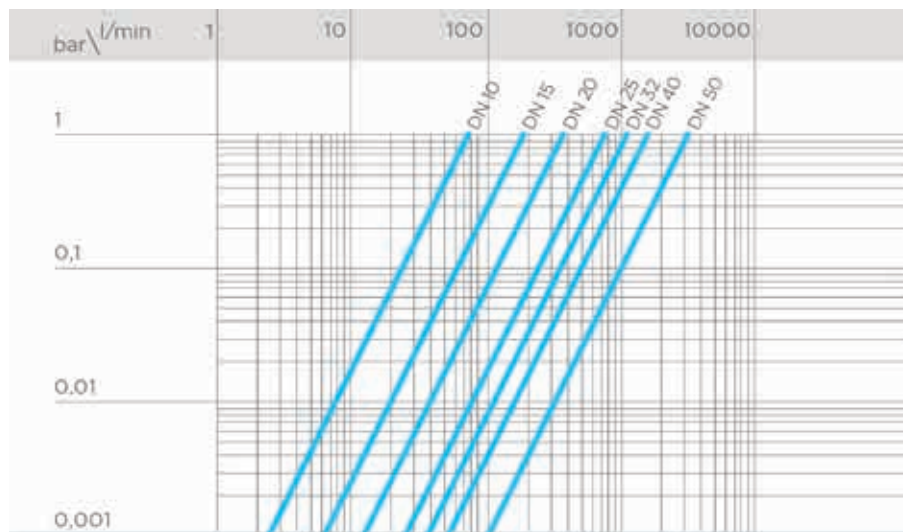
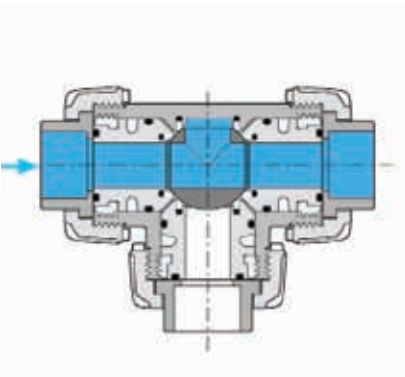
A - T-port ball valve:
0° - Mixing



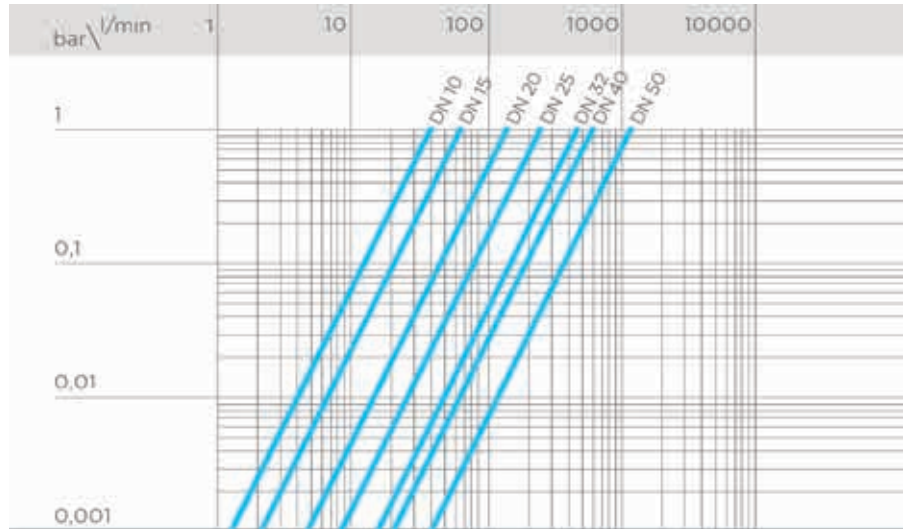
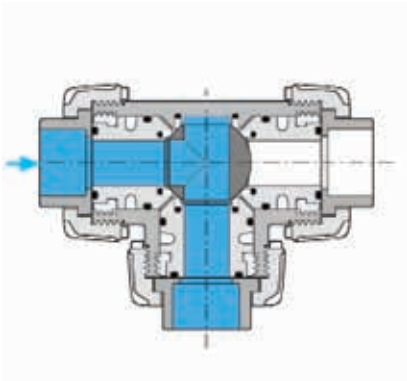
B - T-port ball valve:
90° - Diverting



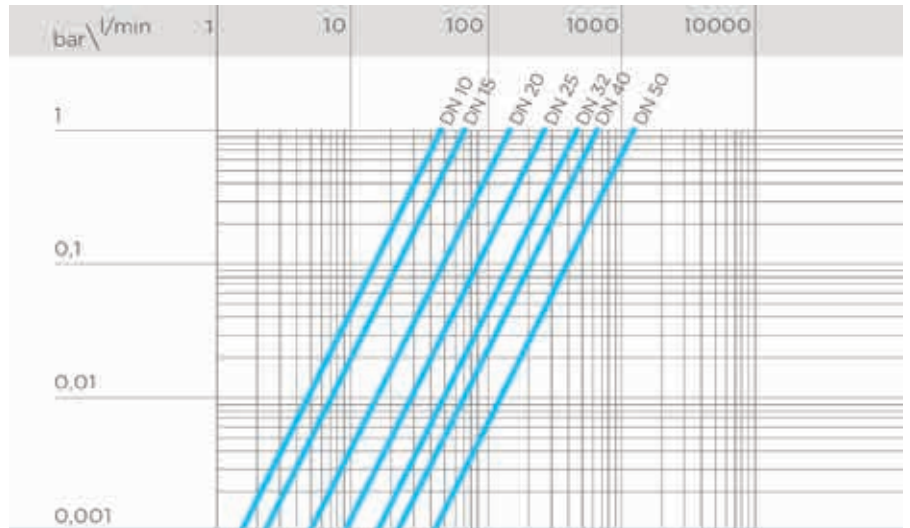
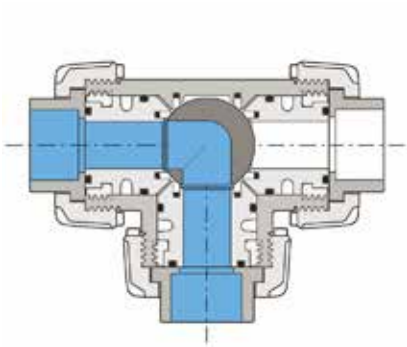
C - T-port ball valve:
180° - Branch closed/direct flow



D - T-port ball valve:
270° - Diverting



E - L-port ball valve:
0°/270° - Diverting



K_v100 FLOW COEFFICIENT

The K_v100 flow coefficient is the Q flow of litres per minute of water at a temperature of 20°C that will generate Δp= 1 bar pressure drop at a certain valve position.

The K_v100 values shown in the table are calculated with the valve completely open.

DN	10	15	20	25	32	40	50
A	25	35	95	140	270	330	620
B	37	55	135	205	390	475	900
C	78	195	380	760	1050	1700	3200
D	40	65	145	245	460	600	1200
E	48	73	150	265	475	620	1220

ELECTRIC ACTUATOR DATA

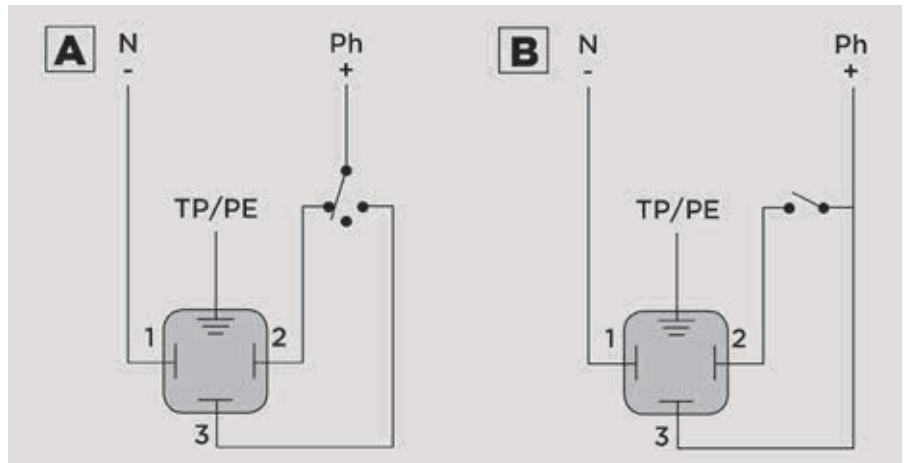
FUNCTIONAL CHARACTERISTICS

Characteristics	DC	AC/DC	AC
Power supply	*12V	24V	90±240V
Power	15W	15W	15W
Max operating time	11 s	12 s	13 s
IEC34 service	50%	30%	30%
Protection class	IP66	IP65	IP65
Frequency	-	50/60 Hz	50/60 Hz

*Upon request

POWER CONNECTION DIAGRAM

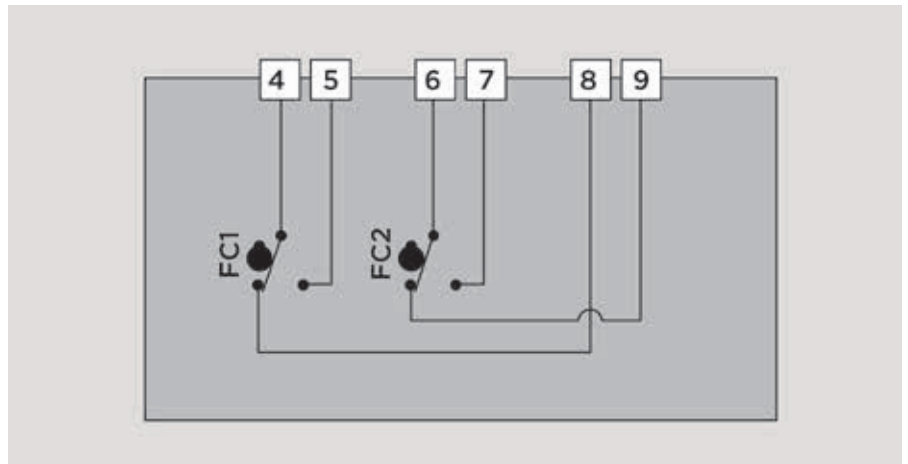
- 1 Shared
- 2 Open
- 3 Closed



AUXILIARY LIMIT SWITCH CONNECTION DIAGRAM

- FC1 Open auxiliary limit switch
- FC2 Close auxiliary limit switch

- 4 Shared FC1
- 5 Open FC1
- 6 Shared FC2
- 7 Open FC2
- 8 Close FC1
- 9 Close FC2



PNEUMATIC ACTUATOR DATA

FUNCTIONAL CHARACTERISTICS

Function type	double-acting	Single-acting (SA)
Valve opening	air	air
Valve closing	air	spring

ACTUATOR CAPACITY

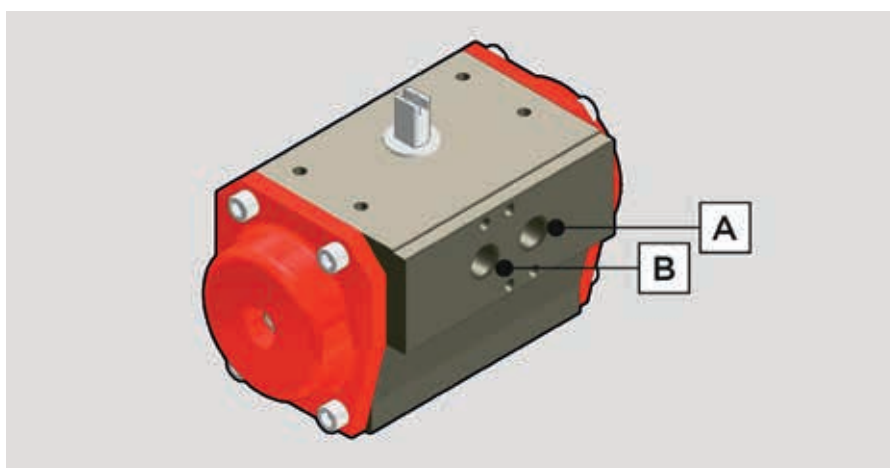
L: litre, equivalent to 10^{-3} m^3

Air consumption in normal litres (or normal cubic metres) per operating cycle can be calculated by correcting according to operating conditions such as control air pressure.

DN	10 - 15	20 ÷ 40	50
DA	0.23 L	0.45 L	0.61 L
SA	0.092 L	0.18 L	0.244 L

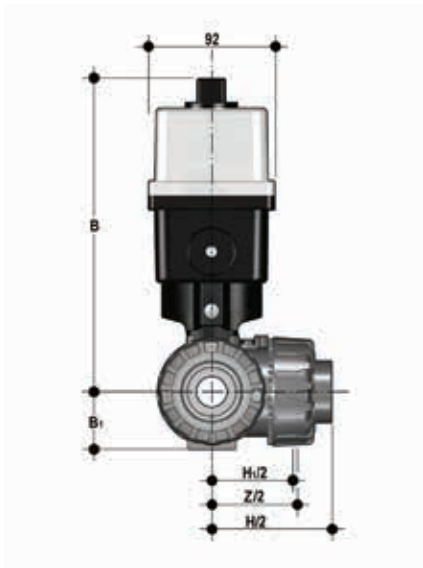
COMPRESSED AIR CONNECTIONS

Function type	Double-acting (DA)	Single-acting (SA)
Valve opening	Inlet A	Inlet A
Valve closing	Inlet B	-



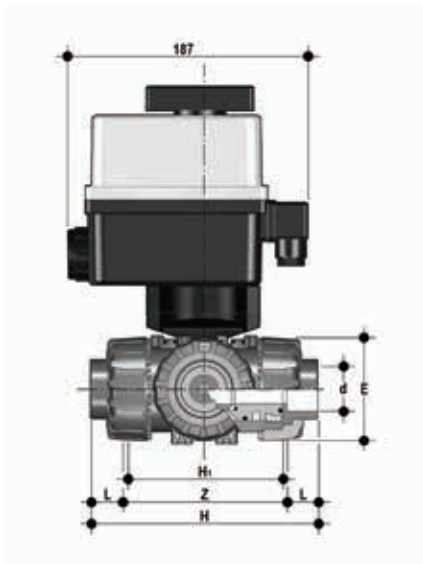
DIMENSIONS

TKD/CE DN 10÷50 PVC-U



Dimensions common to all versions

DN	B	B ₁
10	205	29
15	205	29
20	216	34.5
25	221	39
32	238	46
40	244	52
50	261	62



TKDIV/CE 90-240 V AC

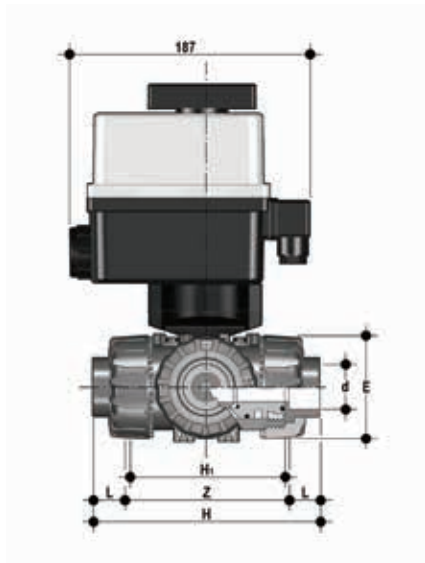
3 way DUAL BLOCK® valve with female metric ends with multi-volt electric actuator 90-240 V AC 50-60 Hz "T" ball, configuration 1

d	DN	PN	E	H	H ₁	L	Z	g	EPDM Code	FKM Code
16	10	16	54	118	80	14	90	1843	TKDIVEM016E1	TKDIVEM016F1
20	15	16	54	118	80	16	86	1843	TKDIVEM020E1	TKDIVEM020F1
25	20	16	65	145	100	19	107	2076	TKDIVEM025E1	TKDIVEM025F1
32	25	16	73	160	110	22	116	2299	TKDIVEM032E1	TKDIVEM032F1
40	32	16	86	188.5	131	26	136.5	2880	TKDIVEM040E1	TKDIVEM040F1
50	40	16	98	219	148	31	157	3242	TKDIVEM050E1	TKDIVEM050F1
63	50	*10	122	266.5	179	38	190.5	4362	TKDIVEM063E1	TKDIVEM063F1

* PN16 upon request

DIMENSIONS

TKD/CE DN 10÷50 PVC-U

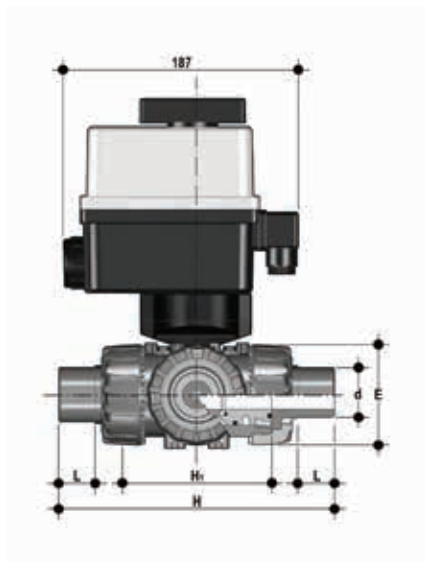


TKDIV/CE 24 V AC/DC

3 way DUAL BLOCK® valve with female metric ends with electric actuator 24 V AC/DC "T" ball, configuration 1

d	DN	PN	E	H	H ₁	L	Z	g	EPDM Code	FKM Code
16	10	16	54	118	80	14	90	1843	TKDIVELO16E1	TKDIVELO16F1
20	15	16	54	118	80	16	86	1843	TKDIVELO20E1	TKDIVELO20F1
25	20	16	65	145	100	19	107	2076	TKDIVELO25E1	TKDIVELO25F1
32	25	16	73	160	110	22	116	2299	TKDIVELO32E1	TKDIVELO32F1
40	32	16	86	188.5	131	26	136.5	2880	TKDIVELO40E1	TKDIVELO40F1
50	40	16	98	219	148	31	157	3242	TKDIVELO50E1	TKDIVELO50F1
63	50	*10	122	266.5	179	38	190.5	4362	TKDIVELO63E1	TKDIVELO63F1

* PN16 upon request



TKDDV/CE 90-240 V AC

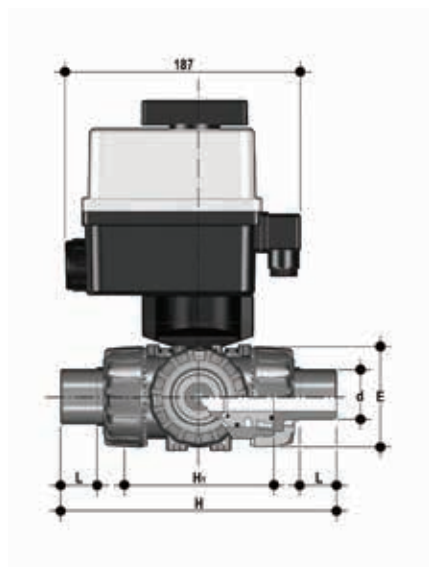
3 way DUAL BLOCK® ball valve with metric male ends with multi-volt electric actuator 90-240 V AC 50-60 Hz. "T" ball, configuration 1

d	DN	PN	E	H	H ₁	L	Z	g	EPDM Code	FKM Code
20	15	16	54	140	80	16	1843	TKDDVEM020E1	TKDDVEM020F1	
25	20	16	65	175	100	19	2076	TKDDVEM025E1	TKDDVEM025F1	
32	25	16	73	188	110	22	2299	TKDDVEM032E1	TKDDVEM032F1	
40	32	16	86	220	131	26	2880	TKDDVEM040E1	TKDDVEM040F1	
50	40	16	98	251	148	31	3242	TKDDVEM050E1	TKDDVEM050F1	
63	50	*10	122	294	179	38	4362	TKDDVEM063E1	TKDDVEM063F1	

* PN16 upon request

DIMENSIONS

TKD/CE DN 10÷50 PVC-U

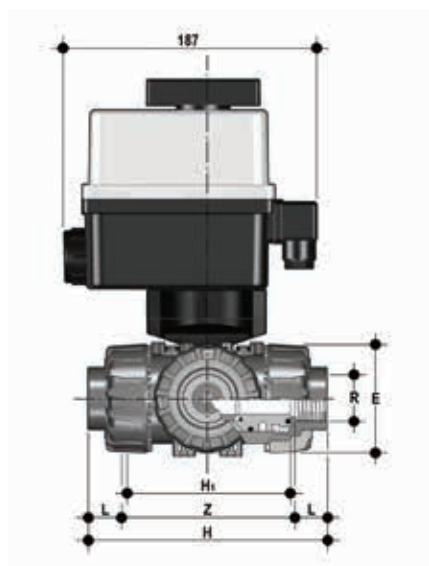


TKDDV/CE 24 V AC/DC

3 way DUAL BLOCK® ball valve with metric male ends with electric actuator 24 V AC/DC. "T" ball, configuration 1

d	DN	PN	E	H	H ₁	L	g	EPDM Code	FKM Code
20	15	16	54	140	80	16	1843	TKDDVEL020E1	TKDDVEL020F1
25	20	16	65	175	100	19	2076	TKDDVEL025E1	TKDDVEL025F1
32	25	16	73	188	110	22	2299	TKDDVEL032E1	TKDDVEL032F1
40	32	16	86	220	131	26	2880	TKDDVEL040E1	TKDDVEL040F1
50	40	16	98	251	148	31	3242	TKDDVEL050E1	TKDDVEL050F1
63	50	*10	122	294	179	38	4362	TKDDVEL063E1	TKDDVEL063F1

* PN16 upon request



TKDFV/CE 90-240 V AC

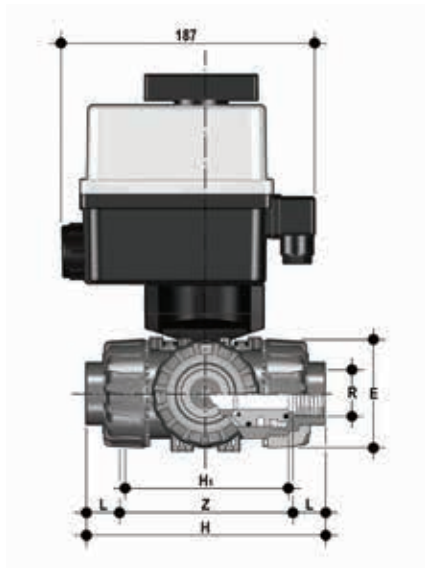
3 way DUAL BLOCK® ball valve with gas cylinder thread female ends with multi-volt electric actuator 90-240 V AC 50-60 Hz "T" ball, configuration 1

R	DN	PN	E	H	H ₁	L	Z	g	EPDM Code	FKM Code
3/8"	10	16	54	118	80	11.4	95	1843	TKDFVEM038E1	TKDFVEM038F1
1/2"	15	16	54	125	80	15	95	1843	TKDFVEM012E1	TKDFVEM012F1
3/4"	20	16	65	146	100	16.3	114	2076	TKDFVEM034E1	TKDFVEM034F1
1"	25	16	73	166	110	19.1	129	2299	TKDFVEM100E1	TKDFVEM100F1
1" 1/4	32	16	86	195.5	131	21.4	151	2880	TKDFVEM114E1	TKDFVEM114F1
1" 1/2	40	16	98	211	148	21.4	166	3242	TKDFVEM112E1	TKDFVEM112F1
2"	50	*10	122	253.5	179	25.7	199	4362	TKDFVEM200E1	TKDFVEM200F1

* PN16 upon request

DIMENSIONS

TKD/CE DN 10÷50 PVC-U

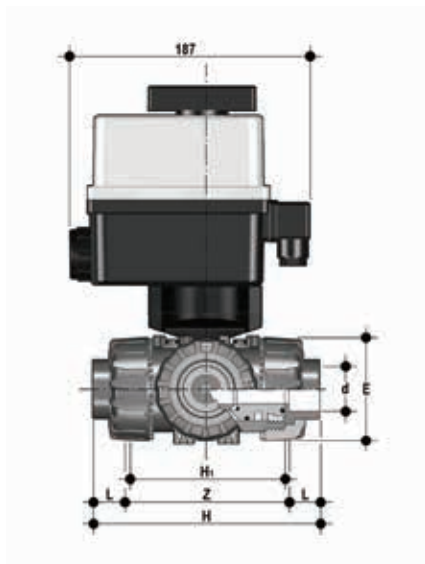


TKDFV/CE 24 V AC/DC

3 way DUAL BLOCK® ball valve with gas cylinder thread female ends with electric actuator 24 V AC/DC "T" ball, configuration 1

R	DN	PN	E	H	H ₁	L	Z	g	EPDM Code	FKM Code
3/8"	10	16	54	118	80	11.4	95	1843	TKDFVEL038E1	TKDFVEL038F1
1/2"	15	16	54	125	80	15	95	1843	TKDFVEL012E1	TKDFVEL012F1
3/4"	20	16	65	146	100	16.3	114	2076	TKDFVEL034E1	TKDFVEL034F1
1"	25	16	73	166	110	19.1	129	2299	TKDFVEL100E1	TKDFVEL100F1
1" 1/4	32	16	86	195.5	131	21.4	151	2880	TKDFVEL114E1	TKDFVEL114F1
1" 1/2	40	16	98	211	148	21.4	166	3242	TKDFVEL112E1	TKDFVEL112F1
2"	50	*10	122	253.5	179	25.7	199	4362	TKDFVEL200E1	TKDFVEL200F1

* PN16 upon request



TKDLV/CE 90-240 V AC

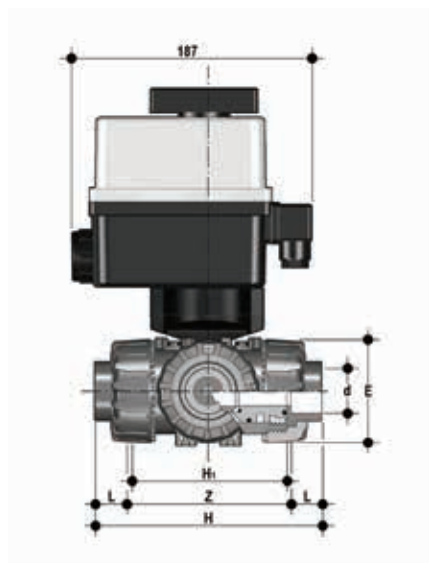
3 way DUAL BLOCK® ball valve with female ends, BS series with multi-volt electric actuator 90-240 V AC 50-60 Hz "T" ball, configuration 1

d	DN	PN	E	H	H ₁	L	Z	g	EPDM Code	FKM Code
3/8"	10	16	54	118	80	14.7	88.6	1843	TKDLVEM038E1	TKDLVEM038F1
1/2"	15	16	54	118	80	17	85	1843	TKDLVEM012E1	TKDLVEM012F1
3/4"	20	16	65	145	100	19	106.8	2076	TKDLVEM034E1	TKDLVEM034F1
1"	25	16	73	160	110	22.5	115	2299	TKDLVEM100E1	TKDLVEM100F1
1" 1/4	32	16	86	188.5	131	26	136.6	2880	TKDLVEM114E1	TKDLVEM114F1
1" 1/2	40	16	98	219	148	30.2	159	3242	TKDLVEM112E1	TKDLVEM112F1
2"	50	*10	122	266.5	179	36.2	194.2	4362	TKDLVEM200E1	TKDLVEM200F1

* PN16 upon request

DIMENSIONS

TKD/CE DN 10÷50 PVC-U

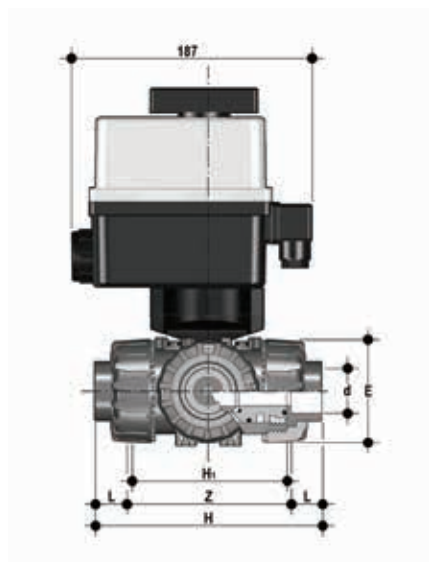


TKDLV/CE 24 V AC/DC

3 way DUAL BLOCK® ball valve with female ends, BS series with electric actuator 24 V AC/DC "T" ball, configuration 1

d	DN	PN	E	H	H ₁	L	Z	g	EPDM Code	FKM Code
3/8"	10	16	54	118	80	14.7	88.6	1843	TKDLVEL038E1	TKDLVEL038F1
1/2"	15	16	54	118	80	17	85	1843	TKDLVEL012E1	TKDLVEL012F1
3/4"	20	16	65	145	100	19	106.8	2076	TKDLVEL034E1	TKDLVEL034F1
1"	25	16	73	160	110	22.5	115	2299	TKDLVEL100E1	TKDLVEL100F1
1" 1/4	32	16	86	188.5	131	26	136.6	2880	TKDLVEL114E1	TKDLVEL114F1
1" 1/2	40	16	98	219	148	30.2	159	3242	TKDLVEL112E1	TKDLVEL112F1
2"	50	*10	122	266.5	179	36.2	194.2	4362	TKDLVEL200E1	TKDLVEL200F1

* PN16 upon request



TKDAV/CE 90-240 V AC

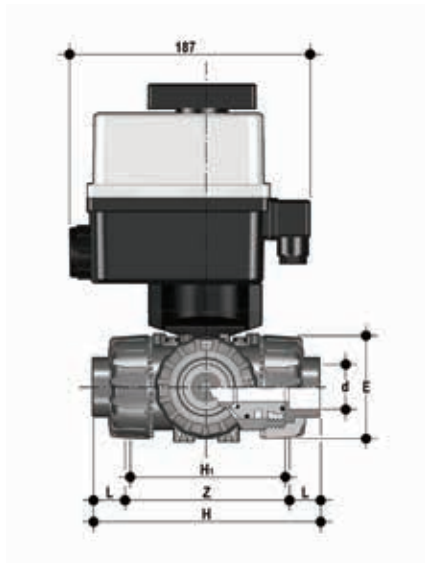
3 way DUAL BLOCK® ball valve with female ends, ASTM series with multi-volt electric actuator 90-240 V AC 50-60 Hz "T" ball, configuration 1

d	DN	PN	E	H	H ₁	L	Z	g	EPDM Code	FKM Code
3/8"	10	16	54	132.2	80	19.5	93.2	1843	TKDAVEM038E1	TKDAVEM038F1
1/2"	15	16	54	132.2	80	23	87.2	1843	TKDAVEM012E1	TKDAVEM012F1
3/4"	20	16	65	159.2	100	25.5	108.2	2076	TKDAVEM034E1	TKDAVEM034F1
1"	25	16	73	174	110	28.7	116.6	2299	TKDAVEM100E1	TKDAVEM100F1
1" 1/4	32	16	86	205	131	32	141	2880	TKDAVEM114E1	TKDAVEM114F1
1" 1/2	40	16	98	227.6	148	35	157.6	3242	TKDAVEM112E1	TKDAVEM112F1
2"	50	*10	122	267	179	38.2	190.6	4362	TKDAVEM200E1	TKDAVEM200F1

* PN16 upon request

DIMENSIONS

TKD/CE DN 10÷50 PVC-U

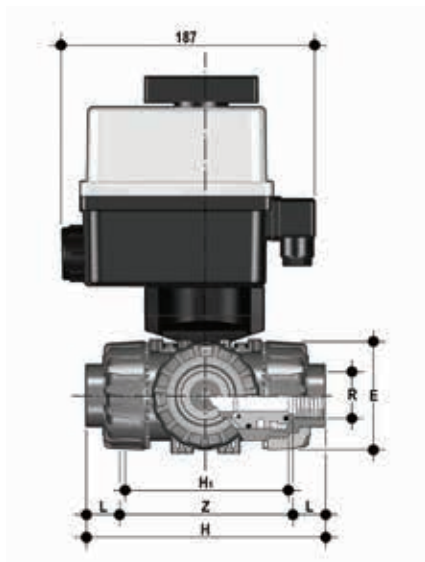


TKDAV/CE 24 V AC/DC

3 way DUAL BLOCK® ball valve with female ends, ASTM series with electric actuator 24 V AC/DC "T" ball, configuration 1

d	DN	PN	E	H	H ₁	L	Z	g	EPDM Code	FKM Code
3/8"	10	16	54	132.2	80	19.5	93.2	1843	TKDAVEL038E1	TKDAVEL038F1
1/2"	15	16	54	132.2	80	23	87.2	1843	TKDAVEL012E1	TKDAVEL012F1
3/4"	20	16	65	159.2	100	25.5	108.2	2076	TKDAVEL034E1	TKDAVEL034F1
1"	25	16	73	174	110	28.7	116.6	2299	TKDAVEL100E1	TKDAVEL100F1
1" 1/4	32	16	86	205	131	32	141	2880	TKDAVEL114E1	TKDAVEL114F1
1" 1/2	40	16	98	227.6	148	35	157.6	3242	TKDAVEL112E1	TKDAVEL112F1
2"	50	*10	122	267	179	38.2	190.6	4362	TKDAVEL200E1	TKDAVEL200F1

* PN16 upon request



TKDNV/CE 90-240 V AC

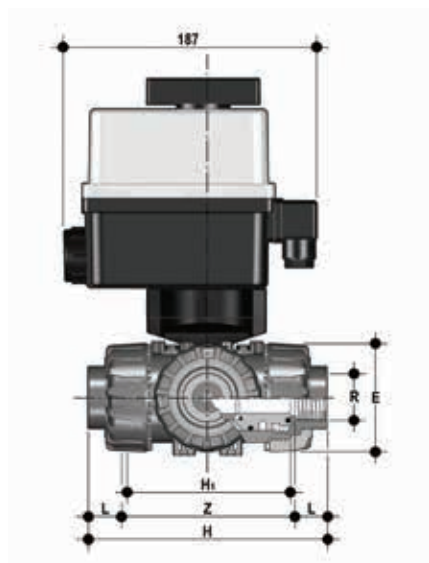
3 way DUAL BLOCK® ball valve with NPT thread female ends with multi-volt electric actuator 90-240 V AC 50-60 Hz "T" ball, configuration 1

d	DN	PN	E	H	H ₁	L	Z	g	EPDM Code	FKM Code
3/8"	10	16	54	118	80	13.7	90.6	1843	TKDNVEM038E1	TKDNVEM038F1
1/2"	15	16	54	125	80	18	90.4	1843	TKDNVEM012E1	TKDNVEM012F1
3/4"	20	16	65	146.4	100	18	110.4	2076	TKDNVEM034E1	TKDNVEM034F1
1"	25	16	73	166.6	110	22.6	121.4	2299	TKDNVEM100E1	TKDNVEM100F1
1" 1/4	32	16	86	195.8	131	25.1	145.6	2880	TKDNVEM114E1	TKDNVEM114F1
1" 1/2	40	16	98	211.4	148	24.7	162	3242	TKDNVEM112E1	TKDNVEM112F1
2"	50	*10	122	253.8	179	29.6	194.6	4362	TKDNVEM200E1	TKDNVEM200F1

* PN16 upon request

DIMENSIONS

TKD/CE DN 10÷50 PVC-U

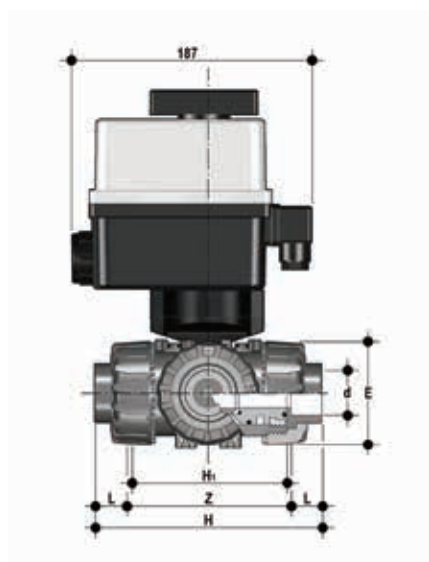


TKDNV/CE 24 V AC/DC

3 way DUAL BLOCK® ball valve with NPT thread female ends with electric actuator 24 V AC/DC "T" ball, configuration 1

R	DN	PN	E	H	H ₁	L	Z	g	EPDM Code	FKM Code
3/8"	10	16	54	118	80	13.7	90.6	1843	TKDNVELO38E1	TKDNVELO38F1
1/2"	15	16	54	125	80	18	90.4	1843	TKDNVELO12E1	TKDNVELO12F1
3/4"	20	16	65	146.4	100	18	110.4	2076	TKDNVELO34E1	TKDNVELO34F1
1"	25	16	73	166.6	110	22.6	121.4	2299	TKDNVEL100E1	TKDNVEL100F1
1" 1/4	32	16	86	195.8	131	25.1	145.6	2880	TKDNVEL114E1	TKDNVEL114F1
1" 1/2	40	16	98	211.4	148	24.7	162	3242	TKDNVEL112E1	TKDNVEL112F1
2"	50	*10	122	253.8	179	29.6	194.6	4362	TKDNVEL200E1	TKDNVEL200F1

* PN16 upon request



TKDJV/CE 90-240 V AC

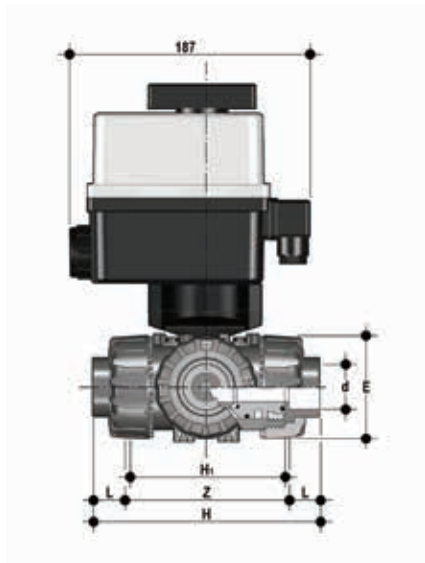
3 way DUAL BLOCK® ball valve with female ends, JIS series with multi-volt electric actuator 90-240 V AC 50-60 Hz "T" ball, configuration 1

d	DN	PN	E	H	H ₁	L	Z	g	EPDM Code	FKM Code
1/2"	15	16	54	146	80	30	86	1843	TKDJVEM012E1	TKDJVEM012F1
3/4"	20	16	65	177	100	35	107	2076	TKDJVEM034E1	TKDJVEM034F1
1"	25	16	73	196	110	40	116	2299	TKDJVEM100E1	TKDJVEM100F1
1" 1/4	32	16	86	225	131	44	137	2880	TKDJVEM114E1	TKDJVEM114F1
1" 1/2	40	16	98	267.2	148	55	157.2	3242	TKDJVEM112E1	TKDJVEM112F1
2"	50	*10	122	316	179	63	190	4362	TKDJVEM200E1	TKDJVEM200F1

* PN16 upon request

DIMENSIONS

TKD/CE DN 10÷50 PVC-U

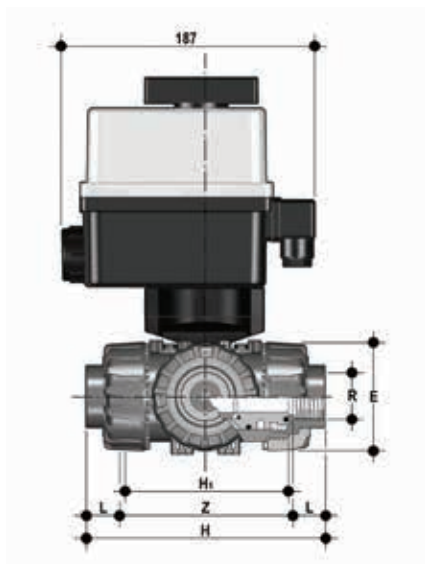


TKDJV/CE 24 V AC/DC

3 way DUAL BLOCK® ball valve with female ends, JIS series with electric actuator 24 V AC/DC "T" ball, configuration 1

d	DN	PN	E	H	H ₁	L	Z	g	EPDM Code	FKM Code
1/2"	15	16	54	146	80	30	86	1843	TKDJVEL012E1	TKDJVEL012F1
3/4"	20	16	65	177	100	35	107	2076	TKDJVEL034E1	TKDJVEL034F1
1"	25	16	73	196	110	40	116	2299	TKDJVEL100E1	TKDJVEL100F1
1" 1/4	32	16	86	225	131	44	137	2880	TKDJVEL114E1	TKDJVEL114F1
1" 1/2	40	16	98	267.2	148	55	157.2	3242	TKDJVEL112E1	TKDJVEL112F1
2"	50	*10	122	316	179	63	190	4362	TKDJVEL200E1	TKDJVEL200F1

* PN16 upon request



TKDGV/CE 90-240 V AC

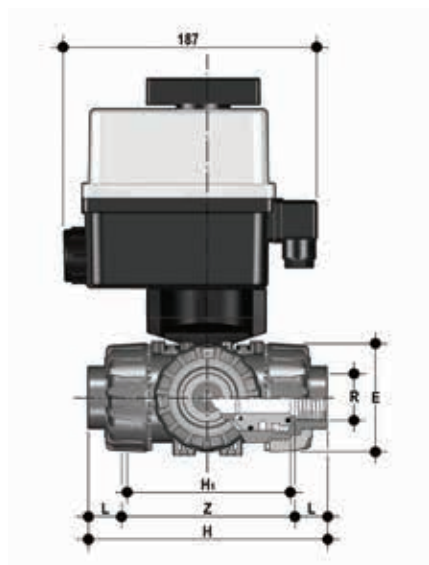
3 way DUAL BLOCK® ball valve with JIS thread female ends with multi-volt electric actuator 90-240 V AC 50-60 Hz "T" ball, configuration 1

R	DN	PN	E	H	H ₁	L	Z	g	EPDM Code	FKM Code
1/2"	15	16	54	118	80	16	86	1843	TKDGVEM012E1	TKDGVEM012F1
3/4"	20	16	65	144.8	100	19	106.8	2076	TKDGVEM034E1	TKDGVEM034F1
1"	25	16	73	160	110	22	116	2299	TKDGVEM100E1	TKDGVEM100F1
1" 1/4	32	16	86	188.6	131	25	138.6	2880	TKDGVEM114E1	TKDGVEM114F1
1" 1/2	40	16	98	219.4	148	26	167.4	3242	TKDGVEM112E1	TKDGVEM112F1
2"	50	*10	122	266.6	179	31	204.6	4362	TKDGVEM200E1	TKDGVEM200F1

* PN16 upon request

DIMENSIONS

TKD/CE DN 10÷50 PVC-U

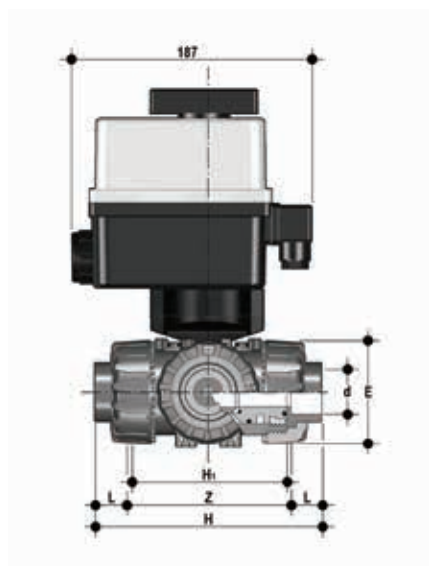


TKDGV/CE 24 V AC/DC

3 way DUAL BLOCK® ball valve with JIS thread female ends with electric actuator 24 V AC/DC "T" ball, configuration 1

R	DN	PN	E	H	H ₁	L	Z	g	EPDM Code	FKM Code
1/2"	15	16	54	118	80	16	86	1843	TKDGVEL012E1	TKDGVEL012F1
3/4"	20	16	65	144.8	100	19	106.8	2076	TKDGVEL034E1	TKDGVEL034F1
1"	25	16	73	160	110	22	116	2299	TKDGVEL100E1	TKDGVEL100F1
1" 1/4	32	16	86	188.6	131	25	138.6	2880	TKDGVEL114E1	TKDGVEL114F1
1" 1/2	40	16	98	219.4	148	26	167.4	3242	TKDGVEL112E1	TKDGVEL112F1
2"	50	*10	122	266.6	179	31	204.6	4362	TKDGVEL200E1	TKDGVEL200F1

* PN16 upon request



LKDIV/CE 90-240 V AC

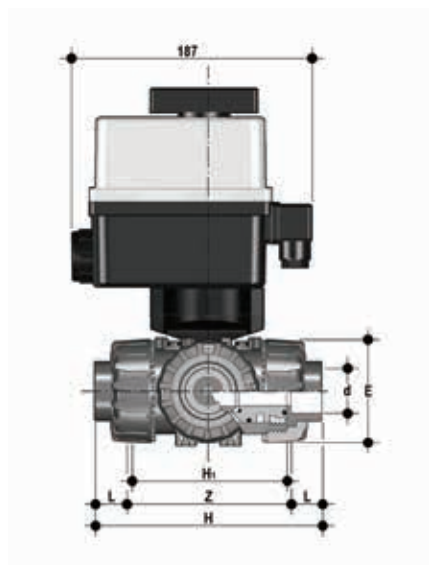
3 way DUAL BLOCK® valve with female metric ends with multi-volt electric actuator 90-240 V AC 50-60 Hz "L" ball

d	DN	PN	E	H	H ₁	L	Z	g	EPDM Code	FKM Code
16	10	16	54	118	80	14	90	1843	LKDIVEM016E1	LKDIVEM016F1
20	15	16	54	118	80	16	86	1843	LKDIVEM020E1	LKDIVEM020F1
25	20	16	65	145	100	19	107	2076	LKDIVEM025E1	LKDIVEM025F1
32	25	16	73	160	110	22	116	2299	LKDIVEM032E1	LKDIVEM032F1
40	32	16	86	188.5	131	26	136.5	2880	LKDIVEM040E1	LKDIVEM040F1
50	40	16	98	219	148	31	157	3242	LKDIVEM050E1	LKDIVEM050F1
63	50	*10	122	266.5	179	38	190.5	4362	LKDIVEM063E1	LKDIVEM063F1

* PN16 upon request

DIMENSIONS

TKD/CE DN 10÷50 PVC-U

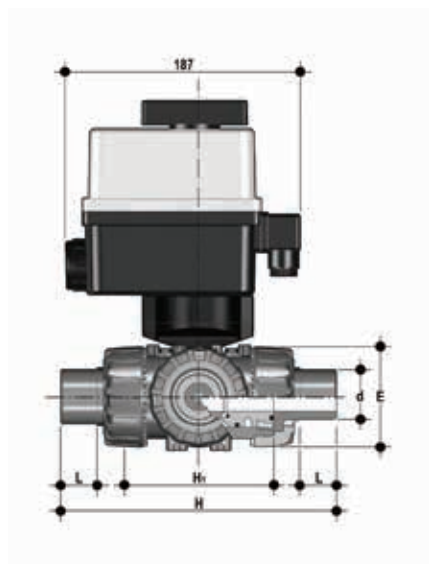


LKDIV/CE 24 V AC/DC

3 way DUAL BLOCK® valve with female metric ends with electric actuator 24 V AC/DC "L" ball

d	DN	PN	E	H	H ₁	L	Z	g	EPDM Code	FKM Code
16	10	16	54	118	80	14	90	1843	LKDIVEL016E1	LKDIVEL016F1
20	15	16	54	118	80	16	86	1843	LKDIVEL020E1	LKDIVEL020F1
25	20	16	65	145	100	19	107	2076	LKDIVEL025E1	LKDIVEL025F1
32	25	16	73	160	110	22	116	2299	LKDIVEL032E1	LKDIVEL032F1
40	32	16	86	188.5	131	26	136.5	2880	LKDIVEL040E1	LKDIVEL040F1
50	40	16	98	219	148	31	157	3242	LKDIVEL050E1	LKDIVEL050F1
63	50	*10	122	266.5	179	38	190.5	4362	LKDIVEL063E1	LKDIVEL063F1

* PN16 upon request



LKDDV/CE 90-240 V AC

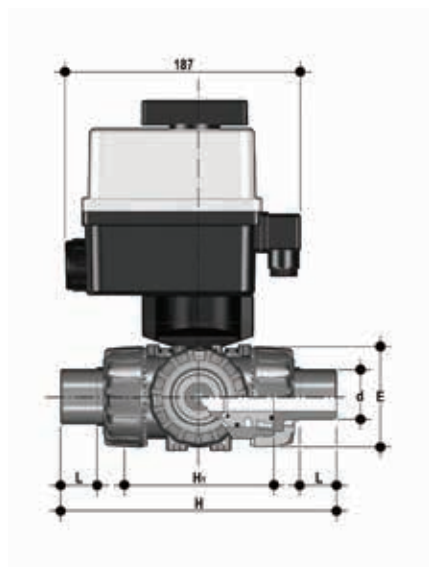
3 way DUAL BLOCK® ball valve with metric male ends with multi-volt electric actuator 90-240 V AC 50-60 Hz. "L" ball

d	DN	PN	E	H	H ₁	L	Z	g	EPDM Code	FKM Code
20	15	16	54	140	80	16	1843	LKDDVEM020E1	LKDDVEM020F1	
25	20	16	65	175	100	19	2076	LKDDVEM025E1	LKDDVEM025F1	
32	25	16	73	188	110	22	2299	LKDDVEM032E1	LKDDVEM032F1	
40	32	16	86	220	131	26	2880	LKDDVEM040E1	LKDDVEM040F1	
50	40	16	98	251	148	31	3242	LKDDVEM050E1	LKDDVEM050F1	
63	50	*10	122	294	179	38	4362	LKDDVEM063E1	LKDDVEM063F1	

* PN16 upon request

DIMENSIONS

TKD/CE DN 10÷50 PVC-U

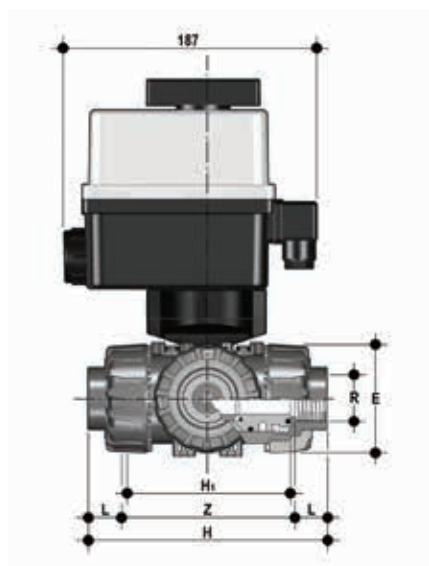


LKDDV/CE 24 V AC/DC

3 way DUAL BLOCK® ball valve with metric male ends with electric actuator 24 V AC/DC. "L" ball

d	DN	PN	E	H	H ₁	L	g	EPDM Code	FKM Code
20	15	16	54	140	80	16	1843	LKDDVEL020E1	LKDDVEL020F1
25	20	16	65	175	100	19	2076	LKDDVEL025E1	LKDDVEL025F1
32	25	16	73	188	110	22	2299	LKDDVEL032E1	LKDDVEL032F1
40	32	16	86	220	131	26	2880	LKDDVEL040E1	LKDDVEL040F1
50	40	16	98	251	148	31	3242	LKDDVEL050E1	LKDDVEL050F1
63	50	*10	122	294	179	38	4362	LKDDVEL063E1	LKDDVEL063F1

* PN16 upon request



LKDFV/CE 90-240 V AC

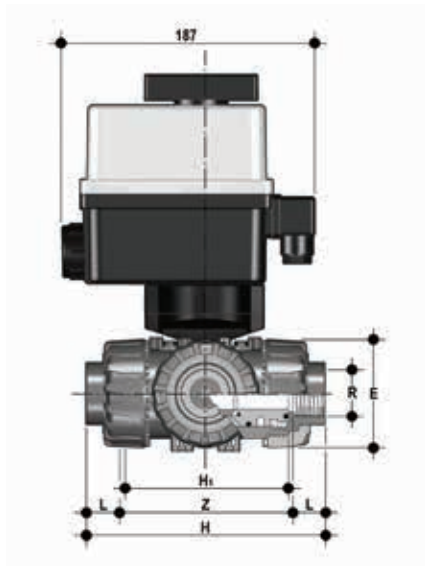
3 way DUAL BLOCK® ball valve with gas cylinder thread female ends with multi-volt electric actuator 90-240 V AC 50-60 Hz "L" ball

R	DN	PN	E	H	H ₁	L	Z	g	EPDM Code	FKM Code
3/8"	10	16	54	118	80	11.4	95	1843	LKDFVEM038E1	LKDFVEM038F1
1/2"	15	16	54	125	80	15	95	1843	LKDFVEM012E1	LKDFVEM012F1
3/4"	20	16	65	146	100	16.3	114	2076	LKDFVEM034E1	LKDFVEM034F1
1"	25	16	73	166	110	19.1	129	2299	LKDFVEM100E1	LKDFVEM100F1
1" 1/4	32	16	86	195.5	131	21.4	151	2880	LKDFVEM114E1	LKDFVEM114F1
1" 1/2	40	16	98	211	148	21.4	166	3242	LKDFVEM112E1	LKDFVEM112F1
2"	50	*10	122	253.5	179	25.7	199	4362	LKDFVEM200E1	LKDFVEM200F1

* PN16 upon request

DIMENSIONS

TKD/CE DN 10÷50 PVC-U

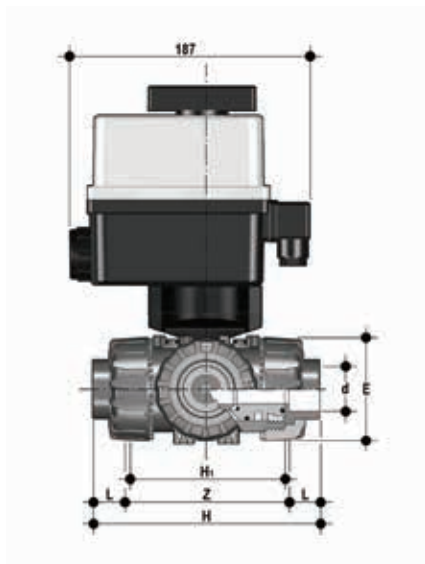


LKDFV/CE 24 V AC/DC

3 way DUAL BLOCK® ball valve with gas cylinder thread female ends with electric actuator 24 V AC/DC "L" ball

R	DN	PN	E	H	H ₁	L	Z	g	EPDM Code	FKM Code
3/8"	10	16	54	118	80	11.4	95	1843	LKDFVEL038E1	LKDFVEL038F1
1/2"	15	16	54	125	80	15	95	1843	LKDFVEL012E1	LKDFVEL012F1
3/4"	20	16	65	146	100	16.3	114	2076	LKDFVEL034E1	LKDFVEL034F1
1"	25	16	73	166	110	19.1	129	2299	LKDFVEL100E1	LKDFVEL100F1
1" 1/4	32	16	86	195.5	131	21.4	151	2880	LKDFVEL114E1	LKDFVEL114F1
1" 1/2	40	16	98	211	148	21.4	166	3242	LKDFVEL112E1	LKDFVEL112F1
2"	50	*10	122	253.5	179	25.7	199	4362	LKDFVEL200E1	LKDFVEL200F1

* PN16 upon request



LKDLV/CE 90-240 V AC

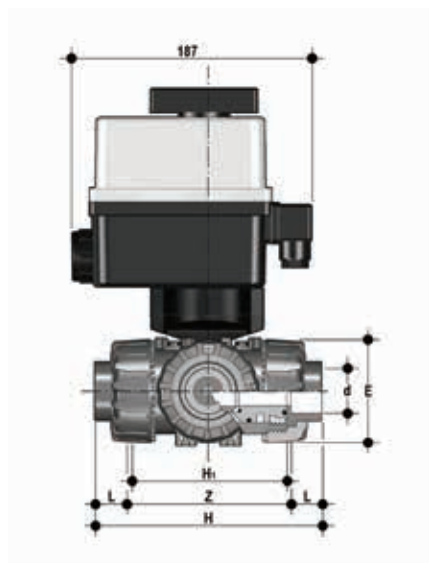
3 way DUAL BLOCK® ball valve with female ends, BS series with multi-volt electric actuator 90-240 V AC 50-60 Hz "L" ball

d	DN	PN	E	H	H ₁	L	Z	g	LKDLV EPDM	FKM Code
3/8"	10	16	54	118	80	14.7	88.6	1843	LKDLVEM038E1	LKDLVEM038F1
1/2"	15	16	54	118	80	17	85	1843	LKDLVEM012E1	LKDLVEM012F1
3/4"	20	16	65	145	100	19	106.8	2076	LKDLVEM034E1	LKDLVEM034F1
1"	25	16	73	160	110	22.5	115	2299	LKDLVEM100E1	LKDLVEM100F1
1" 1/4	32	16	86	188.5	131	26	136.6	2880	LKDLVEM114E1	LKDLVEM114F1
1" 1/2	40	16	98	219	148	30.2	159	3242	LKDLVEM112E1	LKDLVEM112F1
2"	50	*10	122	266.5	179	36.2	194.2	4362	LKDLVEM200E1	LKDLVEM200F1

* PN16 upon request

DIMENSIONS

TKD/CE DN 10÷50 PVC-U

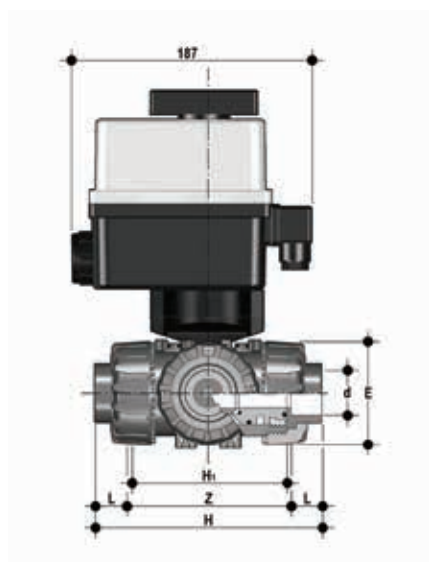


LKDLV/CE 24 V AC/DC

3 way DUAL BLOCK® ball valve with female ends, BS series with electric actuator 24 V AC/DC "L" ball

d	DN	PN	E	H	H ₁	L	Z	g	EPDM Code	FKM Code
3/8"	10	16	54	118	80	14.7	88.6	1843	LKDLVEL038E1	LKDLVEL038F1
1/2"	15	16	54	118	80	17	85	1843	LKDLVEL012E1	LKDLVEL012F1
3/4"	20	16	65	145	100	19	106.8	2076	LKDLVEL034E1	LKDLVEL034F1
1"	25	16	73	160	110	22.5	115	2299	LKDLVEL100E1	LKDLVEL100F1
1" 1/4	32	16	86	188.5	131	26	136.6	2880	LKDLVEL114E1	LKDLVEL114F1
1" 1/2	40	16	98	219	148	30.2	159	3242	LKDLVEL112E1	LKDLVEL112F1
2"	50	*10	122	266.5	179	36.2	194.2	4362	LKDLVEL200E1	LKDLVEL200F1

* PN16 upon request



LKDAV/CE 90-240 V AC

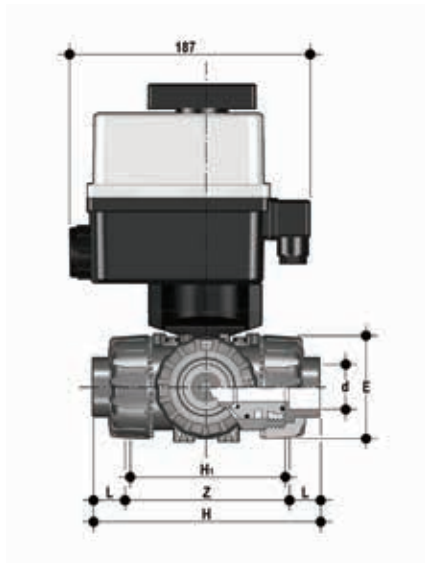
3 way DUAL BLOCK® ball valve with female ends, ASTM series with multi-volt electric actuator 90-240 V AC 50-60 Hz "L" ball

d	DN	PN	E	H	H ₁	L	Z	g	EPDM Code	FKM Code
3/8"	10	16	54	132.2	80	19.5	93.2	1843	LKDAVEM038E1	LKDAVEM038F1
1/2"	15	16	54	132.2	80	23	87.2	1843	LKDAVEM012E1	LKDAVEM012F1
3/4"	20	16	65	159.2	100	25.5	108.2	2076	LKDAVEM034E1	LKDAVEM034F1
1"	25	16	73	174	110	28.7	116.6	2299	LKDAVEM100E1	LKDAVEM100F1
1" 1/4	32	16	86	205	131	32	141	2880	LKDAVEM114E1	LKDAVEM114F1
1" 1/2	40	16	98	227.6	148	35	157.6	3242	LKDAVEM112E1	LKDAVEM112F1
2"	50	*10	122	267	179	38.2	190.6	4362	LKDAVEM200E1	LKDAVEM200F1

* PN16 upon request

DIMENSIONS

TKD/CE DN 10÷50 PVC-U

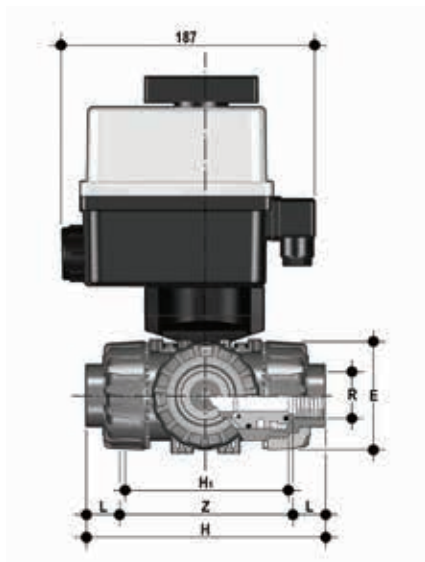


LKDAV/CE 24 V AC/DC

3 way DUAL BLOCK® ball valve with female ends, ASTM series with electric actuator 24 V AC/DC "L" ball

d	DN	PN	E	H	H ₁	L	Z	g	EPDM Code	FKM Code
3/8"	10	16	54	132.2	80	19.5	93.2	1843	LKDAVEL038E1	LKDAVEL038F1
1/2"	15	16	54	132.2	80	23	87.2	1843	LKDAVEL012E1	LKDAVEL012F1
3/4"	20	16	65	159.2	100	25.5	108.2	2076	LKDAVEL034E1	LKDAVEL034F1
1"	25	16	73	174	110	28.7	116.6	2299	LKDAVEL100E1	LKDAVEL100F1
1" 1/4	32	16	86	205	131	32	141	2880	LKDAVEL114E1	LKDAVEL114F1
1" 1/2	40	16	98	227.6	148	35	157.6	3242	LKDAVEL112E1	LKDAVEL112F1
2"	50	*10	122	267	179	38.2	190.6	4362	LKDAVEL200E1	LKDAVEL200F1

* PN16 upon request



LKDNV/CE 90-240 V AC

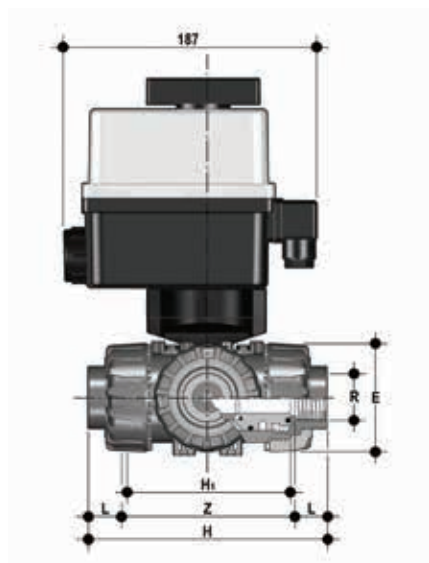
3 way DUAL BLOCK® ball valve with NPT thread female ends with multi-volt electric actuator 90-240 V AC 50-60 Hz "L" ball

R	DN	PN	E	H	H ₁	L	Z	g	EPDM Code	FKM Code
3/8"	10	16	54	118	80	13.7	90.6	1843	LKDNVEM038E1	LKDNVEM038F1
1/2"	15	16	54	125	80	18	90.4	1843	LKDNVEM012E1	LKDNVEM012F1
3/4"	20	16	65	146.4	100	18	110.4	2076	LKDNVEM034E1	LKDNVEM034F1
1"	25	16	73	166.6	110	22.6	121.4	2299	LKDNVEM100E1	LKDNVEM100F1
1" 1/4	32	16	86	195.8	131	25.1	145.6	2880	LKDNVEM114E1	LKDNVEM114F1
1" 1/2	40	16	98	211.4	148	24.7	162	3242	LKDNVEM112E1	LKDNVEM112F1
2"	50	*10	122	253.8	179	29.6	194.6	4362	LKDNVEM200E1	LKDNVEM200F1

* PN16 upon request

DIMENSIONS

TKD/CE DN 10÷50 PVC-U

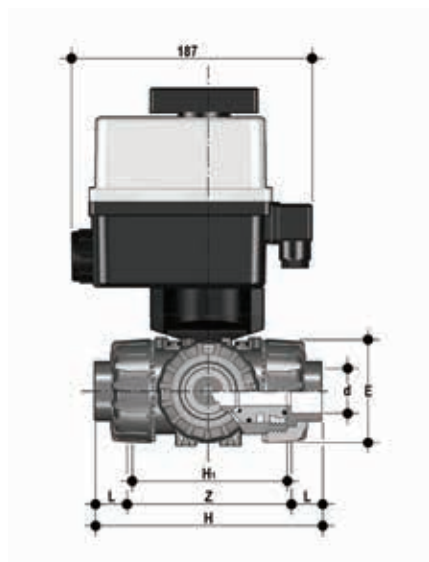


LKDNV/CE 24 V AC/DC

3 way DUAL BLOCK® ball valve with NPT thread female ends with electric actuator 24 V AC/DC "L" ball

R	DN	PN	E	H	H ₁	L	Z	g	EPDM Code	FKM Code
3/8"	10	16	54	118	80	13.7	90.6	1843	LKDNVELO38E1	LKDNVELO38F1
1/2"	15	16	54	125	80	18	90.4	1843	LKDNVELO12E1	LKDNVELO12F1
3/4"	20	16	65	146.4	100	18	110.4	2076	LKDNVELO34E1	LKDNVELO34F1
1"	25	16	73	166.6	110	22.6	121.4	2299	LKDNVEL100E1	LKDNVEL100F1
1" 1/4	32	16	86	195.8	131	25.1	145.6	2880	LKDNVEL114E1	LKDNVEL114F1
1" 1/2	40	16	98	211.4	148	24.7	162	3242	LKDNVEL112E1	LKDNVEL112F1
2"	50	*10	122	253.8	179	29.6	194.6	4362	LKDNVEL200E1	LKDNVEL200F1

* PN16 upon request



LKDJV/CE 90-240 V AC

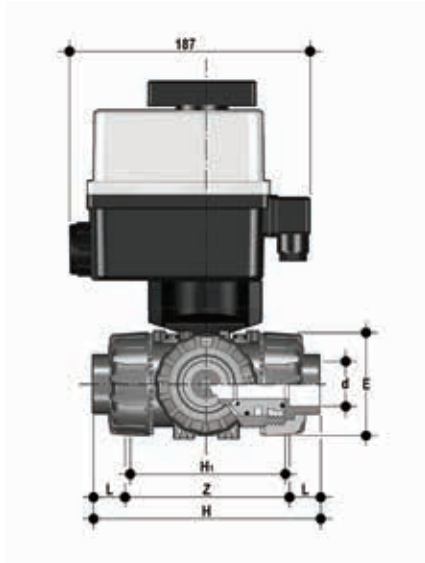
3 way DUAL BLOCK® ball valve with female ends, JIS series with multi-volt electric actuator 90-240 V AC 50-60 Hz "L" ball

d	DN	PN	E	H	H ₁	L	Z	g	EPDM Code	FKM Code
1/2"	15	16	54	146	80	30	86	1843	LKDJVEM012E1	LKDJVEM012F1
3/4"	20	16	65	177	100	35	107	2076	LKDJVEM034E1	LKDJVEM034F1
1"	25	16	73	196	110	40	116	2299	LKDJVEM100E1	LKDJVEM100F1
1" 1/4	32	16	86	225	131	44	137	2880	LKDJVEM114E1	LKDJVEM114F1
1" 1/2	40	16	98	267.2	148	55	157.2	3242	LKDJVEM112E1	LKDJVEM112F1
2"	50	*10	122	316	179	63	190	4362	LKDJVEM200E1	LKDJVEM200F1

* PN16 upon request

DIMENSIONS

TKD/CE DN 10÷50 PVC-U

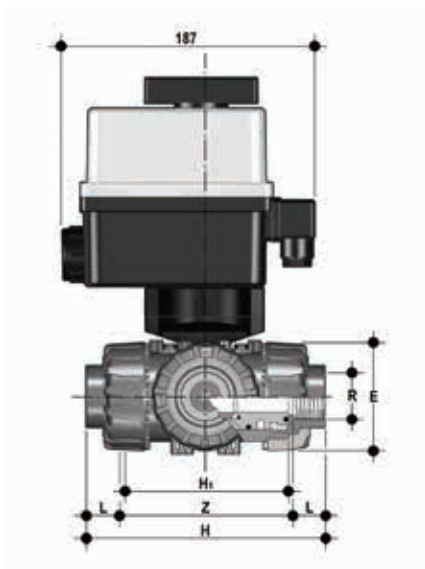


LKDJV/CE 24 V AC/DC

3 way DUAL BLOCK® ball valve with female ends, JIS series with electric actuator 24 V AC/DC "L" ball

d	DN	PN	E	H	H ₁	L	Z	g	EPDM Code	FKM Code
1/2"	15	16	54	146	80	30	86	1843	LKDJVVEL012E1	LKDJVVEL012F1
3/4"	20	16	65	177	100	35	107	2076	LKDJVVEL034E1	LKDJVVEL034F1
1"	25	16	73	196	110	40	116	2299	LKDJVVEL100E1	LKDJVVEL100F1
1" 1/4	32	16	86	225	131	44	137	2880	LKDJVVEL114E1	LKDJVVEL114F1
1" 1/2	40	16	98	267.2	148	55	157.2	3242	LKDJVVEL112E1	LKDJVVEL112F1
2"	50	*10	122	316	179	63	190	4362	LKDJVVEL200E1	LKDJVVEL200F1

* PN16 upon request



LKDG/CE 90-240 V AC

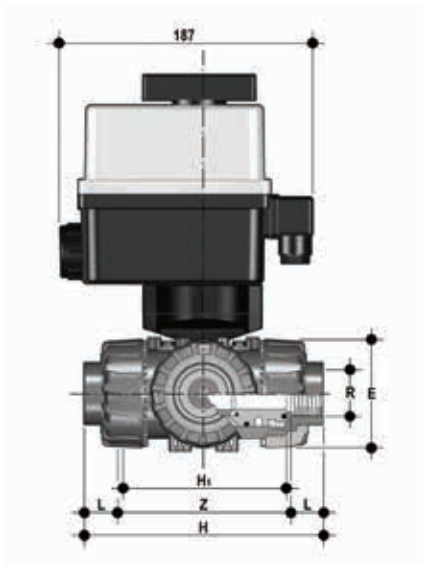
3 way DUAL BLOCK® ball valve with JIS thread female ends with multi-volt electric actuator 90-240 V AC 50-60 Hz "L" ball

R	DN	PN	E	H	H ₁	L	Z	g	EPDM Code	FKM Code
1/2"	15	16	54	118	80	16	86	1843	LKDGVEM012E1	LKDGVEM012F1
3/4"	20	16	65	144.8	100	19	106.8	2076	LKDGVEM034E1	LKDGVEM034F1
1"	25	16	73	160	110	22	116	2299	LKDGVEM100E1	LKDGVEM100F1
1" 1/4	32	16	86	188.6	131	25	138.6	2880	LKDGVEM114E1	LKDGVEM114F1
1" 1/2	40	16	98	219.4	148	26	167.4	3242	LKDGVEM112E1	LKDGVEM112F1
2"	50	*10	122	266.6	179	31	204.6	4362	LKDGVEM200E1	LKDGVEM200F1

* PN16 upon request

DIMENSIONS

TKD/CE DN 10÷50 PVC-U



LKDG/CE 24 V AC/DC

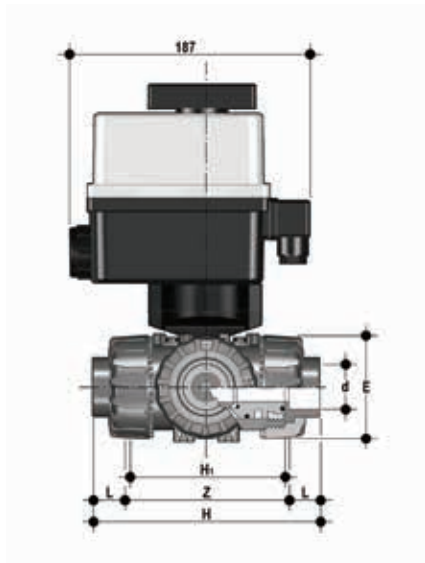
3 way DUAL BLOCK® ball valve with JIS thread female ends with electric actuator 24 V AC/DC "L" ball

R	DN	PN	E	H	H ₁	L	Z	g	EPDM Code	FKM Code
1/2"	15	16	54	118	80	16	86	1843	LKDGVEL012E1	LKDGVEL012F1
3/4"	20	16	65	144.8	100	19	106.8	2076	LKDGVEL034E1	LKDGVEL034F1
1"	25	16	73	160	110	22	116	2299	LKDGVEL100E1	LKDGVEL100F1
1" 1/4	32	16	86	188.6	131	25	138.6	2880	LKDGVEL114E1	LKDGVEL114F1
1" 1/2	40	16	98	219.4	148	26	167.4	3242	LKDGVEL112E1	LKDGVEL112F1
2"	50	*10	122	266.6	179	31	204.6	4362	LKDGVEL200E1	LKDGVEL200F1

* PN16 upon request

DIMENSIONS

TKD/CE DN 10÷50 PVC-C

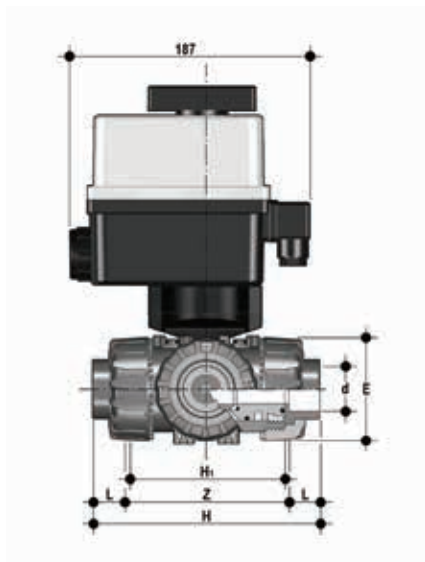


TKDIC/CE 90-240 V AC

3 way DUAL BLOCK® ball valve with female ends for solvent welding, metric series with multi-volt electric actuator 90-240 V AC 50-60 Hz "T" ball, configuration 1

d	DN	PN	E	H	H ₁	L	Z	g	EPDM Code	FKM Code
16	10	16	54	118	80	14	90	1872	TKDICEM016E1	TKDICEM016F1
20	15	16	54	118	80	16	86	1872	TKDICEM020E1	TKDICEM020F1
25	20	16	65	145	100	19	107	2126	TKDICEM025E1	TKDICEM025F1
32	25	16	73	160	110	22	116	2372	TKDICEM032E1	TKDICEM032F1
40	32	16	86	188.5	131	26	136.5	2992	TKDICEM040E1	TKDICEM040F1
50	40	16	98	219	148	31	157	3392	TKDICEM050E1	TKDICEM050F1
63	50	*10	122	266.5	179	38	190.5	4622	TKDICEM063E1	TKDICEM063F1

* PN16 upon request



TKDIC/CE 24 V AC/DC

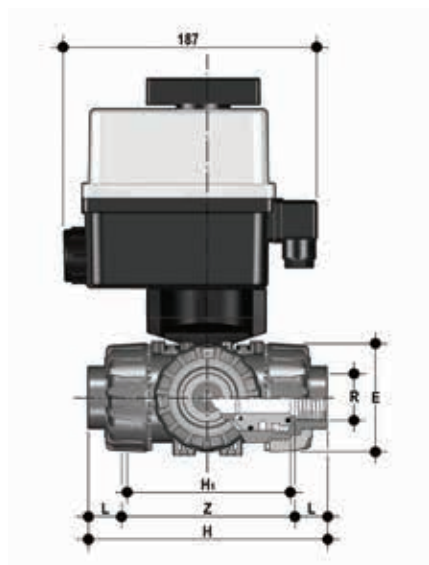
3 way DUAL BLOCK® ball valve with female ends for solvent welding, metric series with electric actuator 24 V AC/DC "T" ball, configuration 1

d	DN	PN	E	H	H ₁	L	Z	g	EPDM Code	FKM Code
16	10	16	54	118	80	14	90	1872	TKDICELO16E1	TKDICELO16F1
20	15	16	54	118	80	16	86	1872	TKDICELO20E1	TKDICELO20F1
25	20	16	65	145	100	19	107	2126	TKDICELO25E1	TKDICELO25F1
32	25	16	73	160	110	22	116	2372	TKDICELO32E1	TKDICELO32F1
40	32	16	86	188.5	131	26	136.5	2992	TKDICELO40E1	TKDICELO40F1
50	40	16	98	219	148	31	157	3392	TKDICELO50E1	TKDICELO50F1
63	50	*10	122	266.5	179	38	190.5	4622	TKDICELO63E1	TKDICELO63F1

* PN16 upon request

DIMENSIONS

TKD/CE DN 10÷50 PVC-C

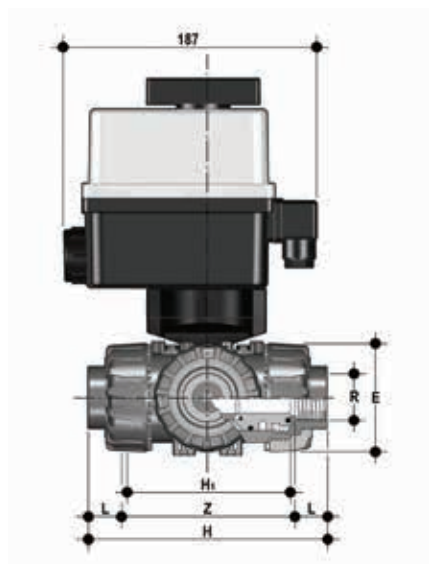


TKDNC/CE 90-240 V AC

3 way DUAL BLOCK® ball valve with NPT thread female ends with multi-volt electric actuator 90-240 V AC 50-60 Hz "T" ball, configuration 1

d	DN	PN	E	H	H ₁	L	Z	g	EPDM Code	FKM Code
3/8"	10	16	54	118	80	13.7	90.6	1872	TKDNCCEM038E1	TKDNCCEM038F1
1/2"	15	16	54	125	80	18	90.4	1872	TKDNCCEM012E1	TKDNCCEM012F1
3/4"	20	16	65	146.4	100	18	110.4	2126	TKDNCCEM034E1	TKDNCCEM034F1
1"	25	16	73	166.6	110	22.6	121.4	2372	TKDNCCEM100E1	TKDNCCEM100F1
1" 1/4	32	16	86	195.8	131	25.1	145.6	2992	TKDNCCEM114E1	TKDNCCEM114F1
1" 1/2	40	16	98	211.4	148	24.7	162	3392	TKDNCCEM112E1	TKDNCCEM112F1
2"	50	*10	122	253.8	179	29.6	194.6	4622	TKDNCCEM200E1	TKDNCCEM200F1

* PN16 upon request



TKDNC/CE 24 V AC/DC

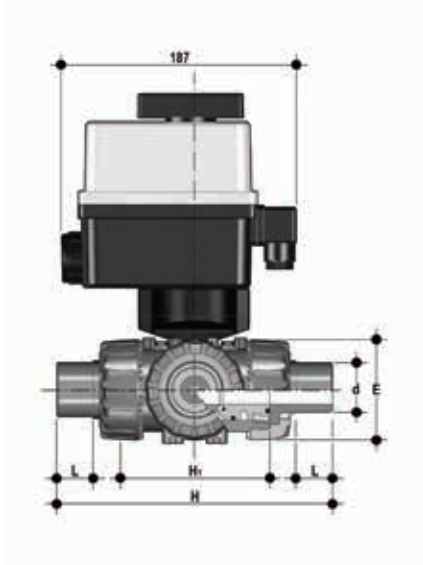
3 way DUAL BLOCK® ball valve with NPT thread female ends with electric actuator 24 V AC/DC "T" ball, configuration 1

R	DN	PN	E	H	H ₁	L	Z	g	EPDM Code	FKM Code
3/8"	10	16	54	118	80	13.7	90.6	1872	TKDNCCEL038E1	TKDNCCEL038F1
1/2"	15	16	54	125	80	18	90.4	1872	TKDNCCEL012E1	TKDNCCEL012F1
3/4"	20	16	65	146.4	100	18	110.4	2126	TKDNCCEL034E1	TKDNCCEL034F1
1"	25	16	73	166.6	110	22.6	121.4	2372	TKDNCCEL100E1	TKDNCCEL100F1
1" 1/4	32	16	86	195.8	131	25.1	145.6	2992	TKDNCCEL114E1	TKDNCCEL114F1
1" 1/2	40	16	98	211.4	148	24.7	162	3392	TKDNCCEL112E1	TKDNCCEL112F1
2"	50	*10	122	253.8	179	29.6	194.6	4622	TKDNCCEL200E1	TKDNCCEL200F1

* PN16 upon request

DIMENSIONS

TKD/CE DN 10÷50 PVC-C

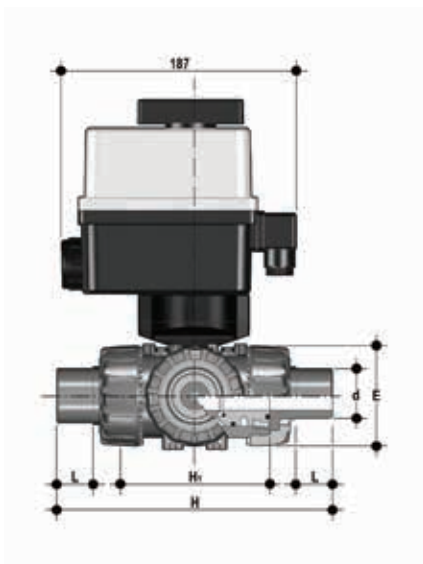


TKDDC/CE 90-240 V AC

3 way DUAL BLOCK® ball valve with metric male ends with multi-volt electric actuator 90-240 V AC 50-60 Hz. "T" ball, configuration 1

d	DN	PN	E	H	H ₁	L	g	EPDM Code	FKM Code
20	15	16	54	140	80	16	1872	TKDDCEM020E1	TKDDCEM020F1
25	20	16	65	175	100	19	2126	TKDDCEM025E1	TKDDCEM025F1
32	25	16	73	188	110	22	2372	TKDDCEM032E1	TKDDCEM032F1
40	32	16	86	220	131	26	2992	TKDDCEM040E1	TKDDCEM040F1
50	40	16	98	251	148	31	3392	TKDDCEM050E1	TKDDCEM050F1
63	50	*10	122	294	179	38	4622	TKDDCEM063E1	TKDDCEM063F1

* PN16 upon request



TKDDC/CE 24 V AC/DC

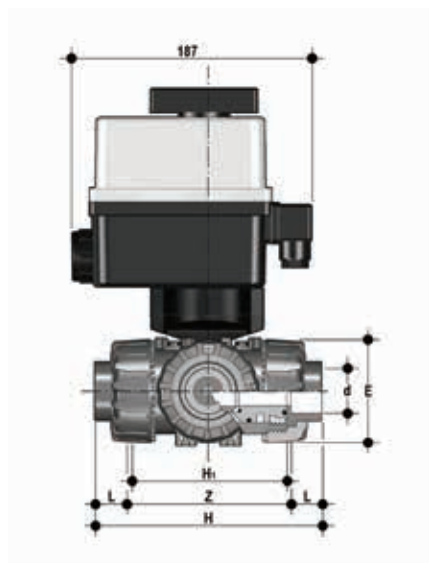
3 way DUAL BLOCK® ball valve with metric male ends with electric actuator 24 V AC/DC. "T" ball, configuration 1

d	DN	PN	E	H	H ₁	L	g	EPDM Code	FKM Code
20	15	16	54	140	80	16	1872	TKDDCEL020E1	TKDDCEL020F1
25	20	16	65	175	100	19	2126	TKDDCEL025E1	TKDDCEL025F1
32	25	16	73	188	110	22	2372	TKDDCEL032E1	TKDDCEL032F1
40	32	16	86	220	131	26	2992	TKDDCEL040E1	TKDDCEL040F1
50	40	16	98	251	148	31	3392	TKDDCEL050E1	TKDDCEL050F1
63	50	*10	122	294	179	38	4622	TKDDCEL063E1	TKDDCEL063F1

* PN16 upon request

DIMENSIONS

TKD/CE DN 10÷50 PVC-C

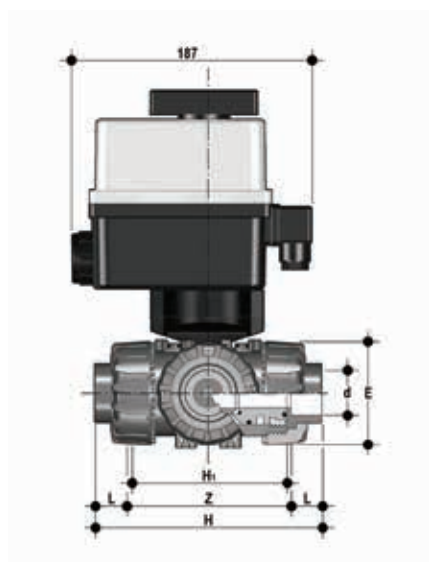


TKDAC/CE 90-240 V AC

3 way DUAL BLOCK® ball valve with female ends for solvent welding, ASTM series with multi-volt electric actuator 90-240 V AC 50-60 Hz. "T" ball, configuration 1

d	DN	PN	E	H	H ₁	L	Z	g	EPDM Code	FKM Code
3/8"	10	16	54	132.2	80	19.5	93.2	1872	TKDACEMENT038E1	TKDACEMENT038F1
1/2"	15	16	54	132.2	80	23	87.2	1872	TKDACEMENT012E1	TKDACEMENT012F1
3/4"	20	16	65	159.2	100	25.5	108.2	2126	TKDACEMENT034E1	TKDACEMENT034F1
1"	25	16	73	174	110	28.7	116.6	2372	TKDACEMENT100E1	TKDACEMENT100F1
1" 1/4	32	16	86	205	131	32	141	2992	TKDACEMENT114E1	TKDACEMENT114F1
1" 1/2	40	16	98	227.6	148	35	157.6	3392	TKDACEMENT112E1	TKDACEMENT112F1
2"	50	*10	122	267	179	38.2	190.6	4622	TKDACEMENT200E1	TKDACEMENT200F1

* PN16 upon request



TKDAC/CE 24 V AC/DC

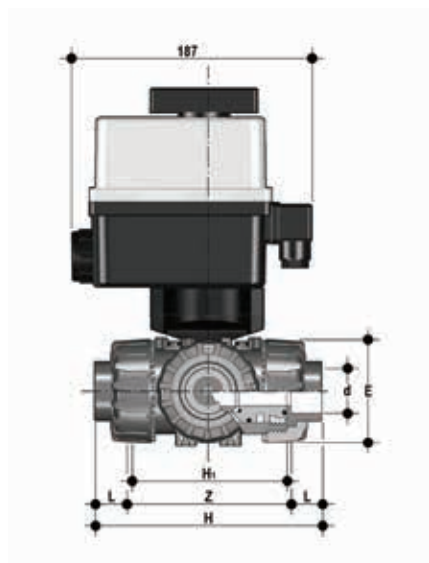
3 way DUAL BLOCK® ball valve with female ends for solvent welding, ASTM series with electric actuator 24 V AC/DC. "T" ball, configuration 1

d	DN	PN	E	H	H ₁	L	Z	g	EPDM Code	FKM Code
3/8"	10	16	54	132.2	80	19.5	93.2	1872	TKDACELO38E1	TKDACELO38F1
1/2"	15	16	54	132.2	80	23	87.2	1872	TKDACELO12E1	TKDACELO12F1
3/4"	20	16	65	159.2	100	25.5	108.2	2126	TKDACELO34E1	TKDACELO34F1
1"	25	16	73	174	110	28.7	116.6	2372	TKDACELO100E1	TKDACELO100F1
1" 1/4	32	16	86	205	131	32	141	2992	TKDACELO114E1	TKDACELO114F1
1" 1/2	40	16	98	227.6	148	35	157.6	3392	TKDACELO112E1	TKDACELO112F1
2"	50	*10	122	267	179	38.2	190.6	4622	TKDACELO200E1	TKDACELO200F1

* PN16 upon request

DIMENSIONS

TKD/CE DN 10÷50 PVC-C

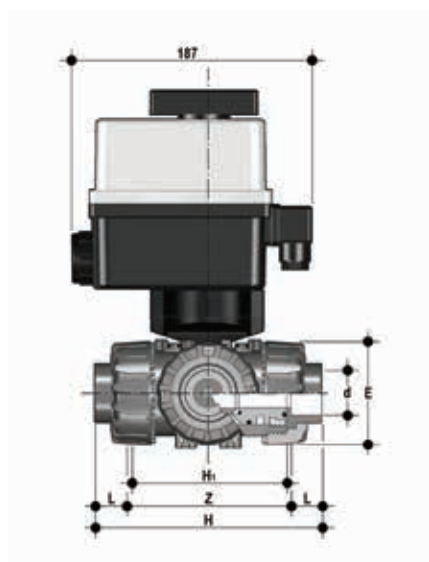


LKDIC/CE 90-240 V AC

3 way DUAL BLOCK® ball valve with female ends for solvent welding, metric series with multi-volt electric actuator 90-240 V AC 50-60 Hz "L" ball

d	DN	PN	E	H	H ₁	L	Z	g	EPDM Code	FKM Code
16	10	16	54	118	80	14	90	1872	LKDICEM016E1	LKDICEM016F1
20	15	16	54	118	80	16	86	1872	LKDICEM020E1	LKDICEM020F1
25	20	16	65	145	100	19	107	2126	LKDICEM025E1	LKDICEM025F1
32	25	16	73	160	110	22	116	2372	LKDICEM032E1	LKDICEM032F1
40	32	16	86	188.5	131	26	136.5	2992	LKDICEM040E1	LKDICEM040F1
50	40	16	98	219	148	31	157	3392	LKDICEM050E1	LKDICEM050F1
63	50	*10	122	266.5	179	38	190.5	4622	LKDICEM063E1	LKDICEM063F1

* PN16 upon request



LKDIC/CE 24 V AC/DC

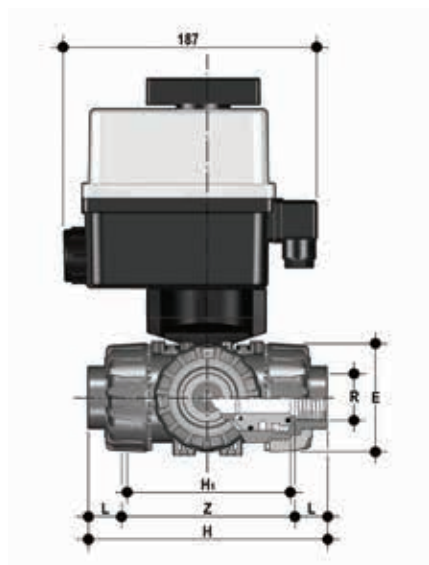
3 way DUAL BLOCK® ball valve with female ends for solvent welding, metric series with electric actuator 24 V AC/DC "L" ball

d	DN	PN	E	H	H ₁	L	Z	g	EPDM Code	FKM Code
16	10	16	54	118	80	14	90	1872	LKDICEL016E1	LKDICEL016F1
20	15	16	54	118	80	16	86	1872	LKDICEL020E1	LKDICEL020F1
25	20	16	65	145	100	19	107	2126	LKDICEL025E1	LKDICEL025F1
32	25	16	73	160	110	22	116	2372	LKDICEL032E1	LKDICEL032F1
40	32	16	86	188.5	131	26	136.5	2992	LKDICEL040E1	LKDICEL040F1
50	40	16	98	219	148	31	157	3392	LKDICEL050E1	LKDICEL050F1
63	50	*10	122	266.5	179	38	190.5	4622	LKDICEL063E1	LKDICEL063F1

* PN16 upon request

DIMENSIONS

TKD/CE DN 10÷50 PVC-C

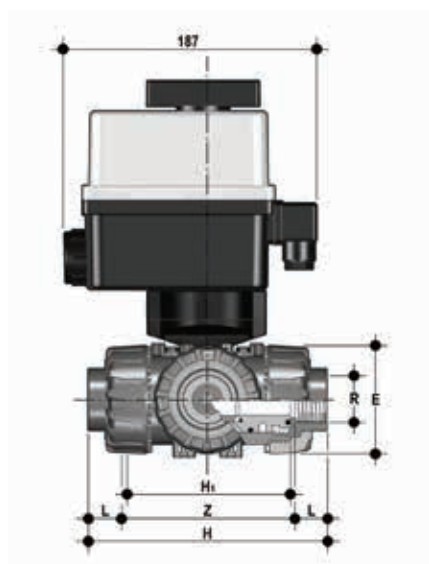


LKDNC/CE 90-240 V AC

3 way DUAL BLOCK® ball valve with NPT thread female ends with multi-volt electric actuator 90-240 V AC 50-60 Hz "L" ball

R	DN	PN	E	H	H ₁	L	Z	g	EPDM Code	FKM Code
3/8"	10	16	54	118	80	13.7	90.6	1872	LKDNCCEM038E1	LKDNCCEM038F1
1/2"	15	16	54	125	80	18	90.4	1872	LKDNCCEM012E1	LKDNCCEM012F1
3/4"	20	16	65	146.4	100	18	110.4	2126	LKDNCCEM034E1	LKDNCCEM034F1
1"	25	16	73	166.6	110	22.6	121.4	2372	LKDNCCEM100E1	LKDNCCEM100F1
1" 1/4	32	16	86	195.8	131	25.1	145.6	2992	LKDNCCEM114E1	LKDNCCEM114F1
1" 1/2	40	16	98	211.4	148	24.7	162	3392	LKDNCCEM112E1	LKDNCCEM112F1
2"	50	*10	122	253.8	179	29.6	194.6	4622	LKDNCCEM200E1	LKDNCCEM200F1

* PN16 upon request



LKDNC/CE 24 V AC/DC

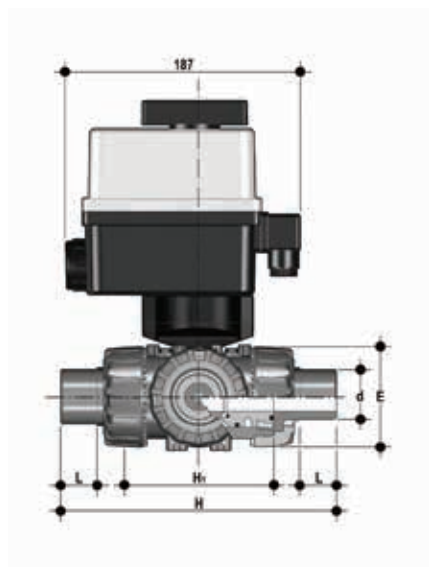
3 way DUAL BLOCK® ball valve with NPT thread female ends with electric actuator 24 V AC/DC "L" ball

R	DN	PN	E	H	H ₁	L	Z	g	EPDM Code	FKM Code
3/8"	10	16	54	118	80	13.7	90.6	1872	LKDNCCEL038E1	LKDNCCEL038F1
1/2"	15	16	54	125	80	18	90.4	1872	LKDNCCEL012E1	LKDNCCEL012F1
3/4"	20	16	65	146.4	100	18	110.4	2126	LKDNCCEL034E1	LKDNCCEL034F1
1"	25	16	73	166.6	110	22.6	121.4	2372	LKDNCCEL100E1	LKDNCCEL100F1
1" 1/4	32	16	86	195.8	131	25.1	145.6	2992	LKDNCCEL114E1	LKDNCCEL114F1
1" 1/2	40	16	98	211.4	148	24.7	162	3392	LKDNCCEL112E1	LKDNCCEL112F1
2"	50	*10	122	253.8	179	29.6	194.6	4622	LKDNCCEL200E1	LKDNCCEL200F1

* PN16 upon request

DIMENSIONS

TKD/CE DN 10÷50 PVC-C

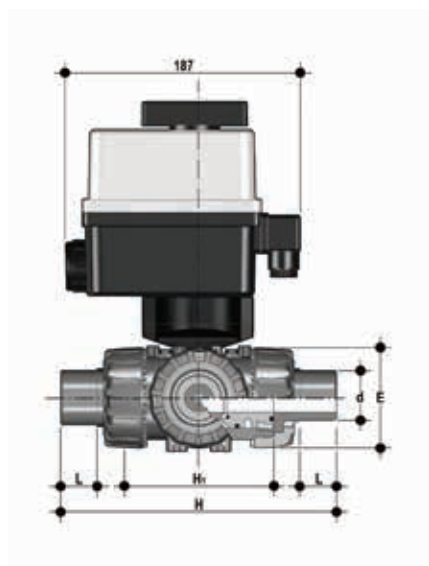


LKDDC/CE 90-240 V AC

3 way DUAL BLOCK® ball valve with metric male ends with multi-volt electric actuator 90-240 V AC 50-60 Hz. "L" ball

d	DN	PN	E	H	H ₁	L	g	EPDM Code	FKM Code
20	15	16	54	140	80	16	1872	LKDDCEM020E1	LKDDCEM020F1
25	20	16	65	175	100	19	2126	LKDDCEM025E1	LKDDCEM025F1
32	25	16	73	188	110	22	2372	LKDDCEM032E1	LKDDCEM032F1
40	32	16	86	220	131	26	2992	LKDDCEM040E1	LKDDCEM040F1
50	40	16	98	251	148	31	3392	LKDDCEM050E1	LKDDCEM050F1
63	50	*10	122	294	179	38	4622	LKDDCEM063E1	LKDDCEM063F1

* PN16 upon request



LKDDC/CE 24 V AC/DC

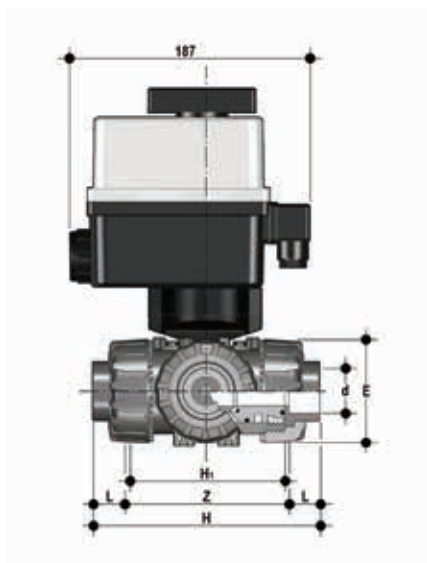
3 way DUAL BLOCK® ball valve with metric male ends with electric actuator 24 V AC/DC. "L" ball

d	DN	PN	E	H	H ₁	L	g	EPDM Code	FKM Code
20	15	16	54	140	80	16	1872	LKDDCEL020E1	LKDDCEL020F1
25	20	16	65	175	100	19	2126	LKDDCEL025E1	LKDDCEL025F1
32	25	16	73	188	110	22	2372	LKDDCEL032E1	LKDDCEL032F1
40	32	16	86	220	131	26	2992	LKDDCEL040E1	LKDDCEL040F1
50	40	16	98	251	148	31	3392	LKDDCEL050E1	LKDDCEL050F1
63	50	*10	122	294	179	38	4622	LKDDCEL063E1	LKDDCEL063F1

* PN16 upon request

DIMENSIONS

TKD/CE DN 10÷50 PVC-C

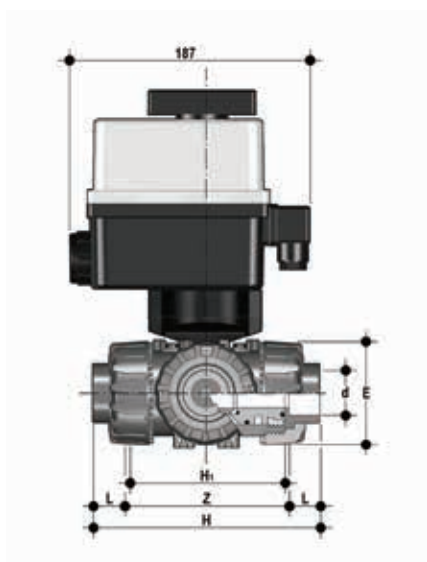


LKDAC/CE 90-240 V AC

3 way DUAL BLOCK® ball valve with female ends for solvent welding, ASTM series with multi-volt electric actuator 90-240 V AC 50-60 Hz. "L" ball

d	DN	PN	E	H	H ₁	L	Z	g	EPDM Code	FKM Code
3/8"	10	16	54	132.2	80	19.5	93.2	1872	LKDACEM038E1	LKDACEM038F1
1/2"	15	16	54	132.2	80	23	87.2	1872	LKDACEM012E1	LKDACEM012F1
3/4"	20	16	65	159.2	100	25.5	108.2	2126	LKDACEM034E1	LKDACEM034F1
1"	25	16	73	174	110	28.7	116.6	2372	LKDACEM100E1	LKDACEM100F1
1" 1/4	32	16	86	205	131	32	141	2992	LKDACEM114E1	LKDACEM114F1
1" 1/2	40	16	98	227.6	148	35	157.6	3392	LKDACEM112E1	LKDACEM112F1
2"	50	*10	122	267	179	38.2	190.6	4622	LKDACEM200E1	LKDACEM200F1

* PN16 upon request



LKDAC/CE 24 V AC/DC

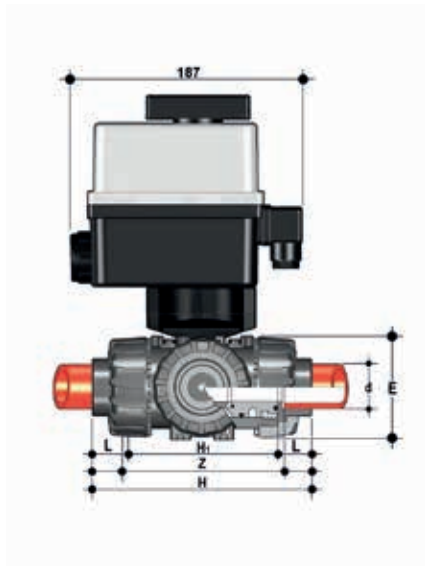
3 way DUAL BLOCK® ball valve with female ends for solvent welding, ASTM series with electric actuator 24 V AC/DC. "L" ball

d	DN	PN	E	H	H ₁	L	Z	g	EPDM Code	FKM Code
3/8"	10	16	54	132.2	80	19.5	93.2	1872	LKDACEL038E1	LKDACEL038F1
1/2"	15	16	54	132.2	80	23	87.2	1872	LKDACEL012E1	LKDACEL012F1
3/4"	20	16	65	159.2	100	25.5	108.2	2126	LKDACEL034E1	LKDACEL034F1
1"	25	16	73	174	110	28.7	116.6	2372	LKDACEL100E1	LKDACEL100F1
1" 1/4	32	16	86	205	131	32	141	2992	LKDACEL114E1	LKDACEL114F1
1" 1/2	40	16	98	227.6	148	35	157.6	3392	LKDACEL112E1	LKDACEL112F1
2"	50	*10	122	267	179	38.2	190.6	4622	LKDACEL200E1	LKDACEL200F1

* PN16 upon request

DIMENSIONS

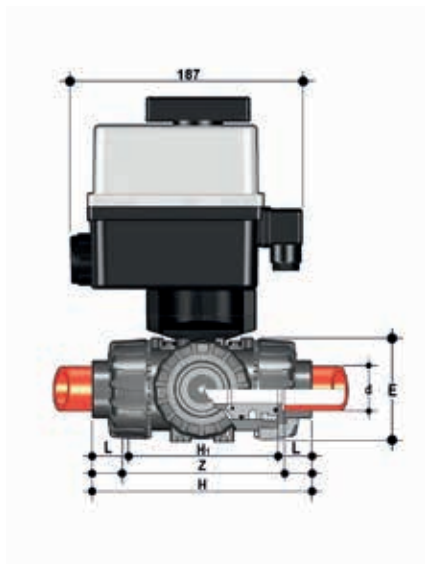
TKD/CE DN 10÷50 PP-H



TKDIM/CE 90-240 V AC

3 way DUAL BLOCK® ball valve with female ends for socket welding with multi-volt electric actuator 90-240 V AC 50-60 Hz "T" ball, configuration 1

d	DN	PN	E	H	H ₁	L	Z	g	EPDM Code	FKM Code
16	10	10	54	118	80	14	89.5	1728	TKDIMEM016E1	TKDIMEM016F1
20	15	10	54	118	80	15	88	1728	TKDIMEM020E1	TKDIMEM020F1
25	20	10	65	145	100	16.5	112	1876	TKDIMEM025E1	TKDIMEM025F1
32	25	10	73	160	110	19	122	2014	TKDIMEM032E1	TKDIMEM032F1
40	32	10	86	188.5	131	23	142.5	2425	TKDIMEM040E1	TKDIMEM040F1
50	40	10	98	219	148	23.5	172	2652	TKDIMEM050E1	TKDIMEM050F1
63	50	10	122	266.5	179	27.7	211.15	3357	TKDIMEM063E1	TKDIMEM063F1



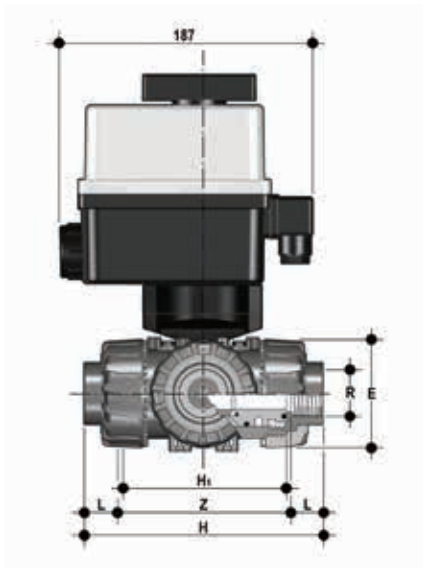
TKDIM/CE 24 V AC/DC

3 way DUAL BLOCK® ball valve with female ends for socket welding with electric actuator 24 V AC/DC "T" ball, configuration 1

d	DN	PN	E	H	H ₁	L	Z	g	EPDM Code	FKM Code
16	10	10	54	118	80	14	89.5	1728	TKDIMEL016E1	TKDIMEL016F1
20	15	10	54	118	80	15	88	1728	TKDIMEL020E1	TKDIMEL020F1
25	20	10	65	145	100	16.5	112	1876	TKDIMEL025E1	TKDIMEL025F1
32	25	10	73	160	110	19	122	2014	TKDIMEL032E1	TKDIMEL032F1
40	32	10	86	188.5	131	23	142.5	2425	TKDIMEL040E1	TKDIMEL040F1
50	40	10	98	219	148	23.5	172	2652	TKDIMEL050E1	TKDIMEL050F1
63	50	10	122	266.5	179	27.7	211.15	3357	TKDIMEL063E1	TKDIMEL063F1

DIMENSIONS

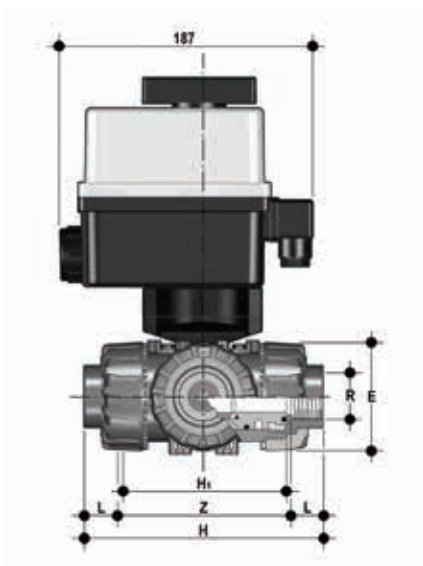
TKD/CE DN 10÷50 PP-H



TKDFM/CE 90-240 V AC

3 way DUAL BLOCK® ball valve with gas cylinder thread female ends with multi-volt electric actuator 90-240 V AC 50-60 Hz "T" ball, configuration 1

R	DN	PN	E	H	H ₁	L	Z	g	EPDM Code	FKM Code
1/2"	15	10	54	125	80	15	95	1728	TKDFMEM012E1	TKDFMEM012F1
3/4"	20	10	65	146	100	16.3	114	1876	TKDFMEM034E1	TKDFMEM034F1
1"	25	10	73	166	110	19.1	129	2014	TKDFMEM100E1	TKDFMEM100F1
1" 1/4	32	10	86	195.5	131	21.4	151	2425	TKDFMEM114E1	TKDFMEM114F1
1" 1/2	40	10	98	211	148	21.4	166	2652	TKDFMEM112E1	TKDFMEM112F1
2"	50	10	122	253.5	179	25.7	199	3357	TKDFMEM200E1	TKDFMEM200F1



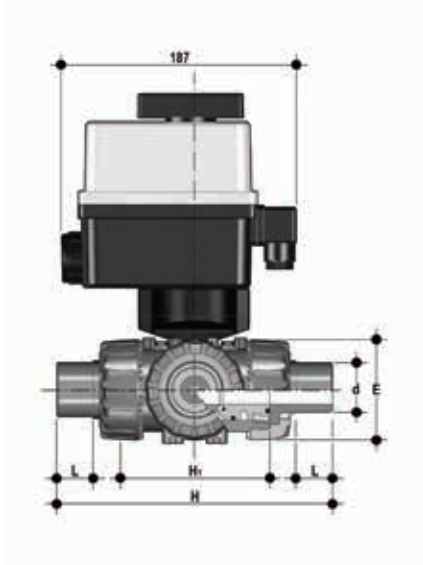
TKDFM/CE 24 V AC/DC

3 way DUAL BLOCK® ball valve with gas cylinder thread female ends with electric actuator 24 V AC/DC "T" ball, configuration 1

R	DN	PN	E	H	H ₁	L	Z	g	EPDM Code	FKM Code
1/2"	15	10	54	125	80	15	95	1728	TKDFMEL012E1	TKDFMEL012F1
3/4"	20	10	65	146	100	16.3	114	1876	TKDFMEL034E1	TKDFMEL034F1
1"	25	10	73	166	110	19.1	129	2014	TKDFMEL100E1	TKDFMEL100F1
1" 1/4	32	10	86	195.5	131	21.4	151	2425	TKDFMEL114E1	TKDFMEL114F1
1" 1/2	40	10	98	211	148	21.4	166	2652	TKDFMEL112E1	TKDFMEL112F1
2"	50	10	122	253.5	179	25.7	199	3357	TKDFMEL200E1	TKDFMEL200F1

DIMENSIONS

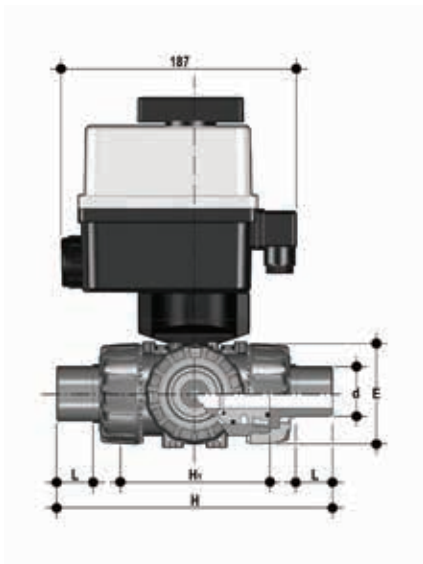
TKD/CE DN 10÷50 PP-H



TKDDM/CE 90-240 V AC

3 way DUAL BLOCK® ball valve with male ends for socket welding with multi-volt electric actuator 90-240 V AC 50-60 Hz. "T" ball, configuration 1

d	DN	PN	E	H	H ₁	L	g	EPDM Code	FKM Code
20	15	10	54	140	80	16	1728	TKDDMEM020E1	TKDDMEM020F1
25	20	10	65	175	100	18	1876	TKDDMEM025E1	TKDDMEM025F1
32	25	10	73	188	110	20	2014	TKDDMEM032E1	TKDDMEM032F1
40	32	10	86	220	131	22	2425	TKDDMEM040E1	TKDDMEM040F1
50	40	10	98	251	148	25	2652	TKDDMEM050E1	TKDDMEM050F1
63	50	10	122	294	179	29	3357	TKDDMEM063E1	TKDDMEM063F1



TKDDM/CE 24 V AC/DC

3 way DUAL BLOCK® ball valve with male ends for socket welding with electric actuator 24 V AC/DC. "T" ball, configuration 1

d	DN	PN	E	H	H ₁	L	g	EPDM Code	FKM Code
20	15	10	54	140	80	16	1728	TKDDMEL020E1	TKDDMEL020F1
25	20	10	65	175	100	18	1876	TKDDMEL025E1	TKDDMEL025F1
32	25	10	73	188	110	20	2014	TKDDMEL032E1	TKDDMEL032F1
40	32	10	86	220	131	22	2425	TKDDMEL040E1	TKDDMEL040F1
50	40	10	98	251	148	25	2652	TKDDMEL050E1	TKDDMEL050F1
63	50	10	122	294	179	29	3357	TKDDMEL063E1	TKDDMEL063F1

DIMENSIONS

TKD/CE DN 10÷50 PP-H



LKDIM/CE 90-240 V AC

3 way DUAL BLOCK® ball valve with female ends for socket welding with multi-volt electric actuator 90-240 V AC 50-60 Hz "L" ball

d	DN	PN	E	H	H ₁	L	Z	g	EPDM Code	FKM Code
16	10	10	54	118	80	14	89.5	1728	LKDIMEM016E1	LKDIMEM016F1
20	15	10	54	118	80	15	88	1728	LKDIMEM020E1	LKDIMEM020F1
25	20	10	65	145	100	16.5	112	1876	LKDIMEM025E1	LKDIMEM025F1
32	25	10	73	160	110	19	122	2014	LKDIMEM032E1	LKDIMEM032F1
40	32	10	86	188.5	131	23	142.5	2425	LKDIMEM040E1	LKDIMEM040F1
50	40	10	98	219	148	23.5	172	2652	LKDIMEM050E1	LKDIMEM050F1
63	50	10	122	266.5	179	27.7	211.15	3357	LKDIMEM063E1	LKDIMEM063F1



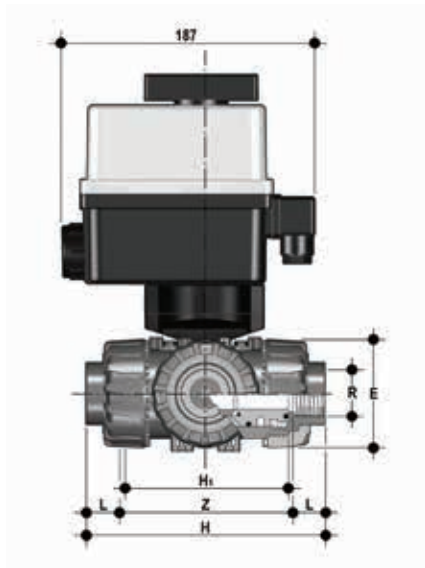
LKDIM/CE 24 V AC/DC

3 way DUAL BLOCK® ball valve with female ends for socket welding with electric actuator 24 V AC/DC "L" ball

d	DN	PN	E	H	H ₁	L	Z	g	EPDM Code	FKM Code
16	10	10	54	118	80	14	89.5	1728	LKDIMEL016E1	LKDIMEL016F1
20	15	10	54	118	80	15	88	1728	LKDIMEL020E1	LKDIMEL020F1
25	20	10	65	145	100	16.5	112	1876	LKDIMEL025E1	LKDIMEL025F1
32	25	10	73	160	110	19	122	2014	LKDIMEL032E1	LKDIMEL032F1
40	32	10	86	188.5	131	23	142.5	2425	LKDIMEL040E1	LKDIMEL040F1
50	40	10	98	219	148	23.5	172	2652	LKDIMEL050E1	LKDIMEL050F1
63	50	10	122	266.5	179	27.7	211.15	3357	LKDIMEL063E1	LKDIMEL063F1

DIMENSIONS

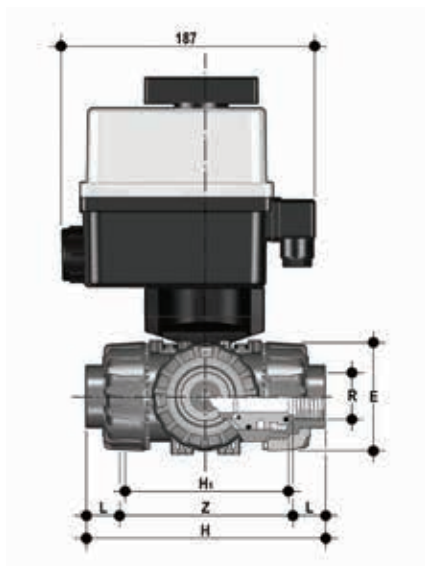
TKD/CE DN 10÷50 PP-H



LKDFM/CE 90-240 V AC

3 way DUAL BLOCK® ball valve with gas cylinder thread female ends with multi-volt electric actuator 90-240 V AC 50-60 Hz "L" ball

R	DN	PN	E	H	H ₁	L	Z	g	EPDM Code	FKM Code
1/2"	15	10	54	125	80	15	95	1728	LKDFMEM012E1	LKDFMEM012F1
3/4"	20	10	65	146	100	16.3	114	1876	LKDFMEM034E1	LKDFMEM034F1
1"	25	10	73	166	110	19.1	129	2014	LKDFMEM100E1	LKDFMEM100F1
1" 1/4	32	10	86	195.5	131	21.4	151	2425	LKDFMEM114E1	LKDFMEM114F1
1" 1/2	40	10	98	211	148	21.4	166	2652	LKDFMEM112E1	LKDFMEM112F1
2"	50	10	122	253.5	179	25.7	199	3357	LKDFMEM200E1	LKDFMEM200F1



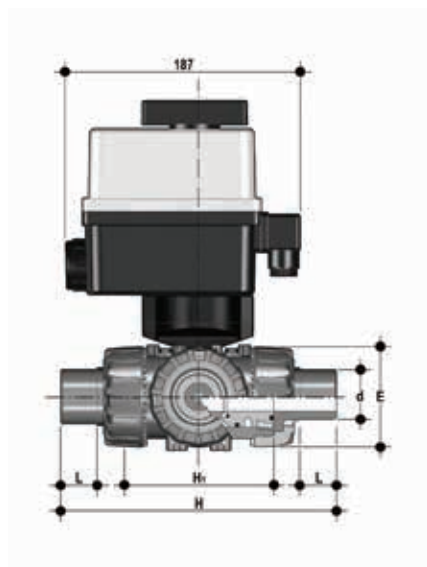
LKDFM/CE 24 V AC/DC

3 way DUAL BLOCK® ball valve with gas cylinder thread female ends with electric actuator 24 V AC/DC "L" ball

R	DN	PN	E	H	H ₁	L	Z	g	EPDM Code	FKM Code
1/2"	15	10	54	125	80	15	95	1728	LKDFMEL012E1	LKDFMEL012F1
3/4"	20	10	65	146	100	16.3	114	1876	LKDFMEL034E1	LKDFMEL034F1
1"	25	10	73	166	110	19.1	129	2014	LKDFMEL100E1	LKDFMEL100F1
1" 1/4	32	10	86	195.5	131	21.4	151	2425	LKDFMEL114E1	LKDFMEL114F1
1" 1/2	40	10	98	211	148	21.4	166	2652	LKDFMEL112E1	LKDFMEL112F1
2"	50	10	122	253.5	179	25.7	199	3357	LKDFMEL200E1	LKDFMEL200F1

DIMENSIONS

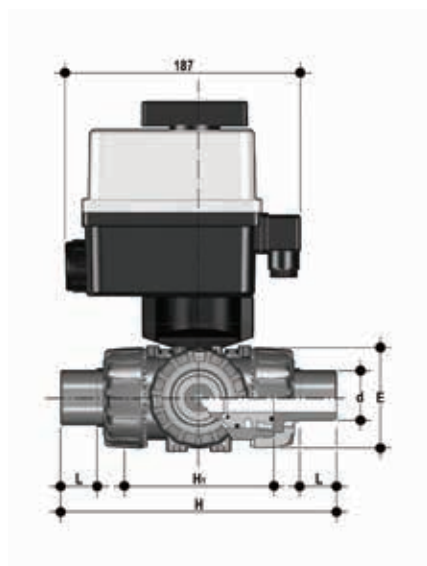
TKD/CE DN 10÷50 PP-H



LKDDM/CE 90-240 V AC

3 way DUAL BLOCK® ball valve with male ends for socket welding with multi-volt electric actuator 90-240 V AC 50-60 Hz. "L" ball

d	DN	PN	E	H	H ₁	L	g	EPDM Code	FKM Code
20	15	10	54	140	80	16	1728	LKDDMEM020E1	LKDDMEM020F1
25	20	10	65	175	100	18	1876	LKDDMEM025E1	LKDDMEM025F1
32	25	10	73	188	110	20	2014	LKDDMEM032E1	LKDDMEM032F1
40	32	10	86	220	131	22	2425	LKDDMEM040E1	LKDDMEM040F1
50	40	10	98	251	148	25	2652	LKDDMEM050E1	LKDDMEM050F1
63	50	10	122	294	179	29	3357	LKDDMEM063E1	LKDDMEM063F1



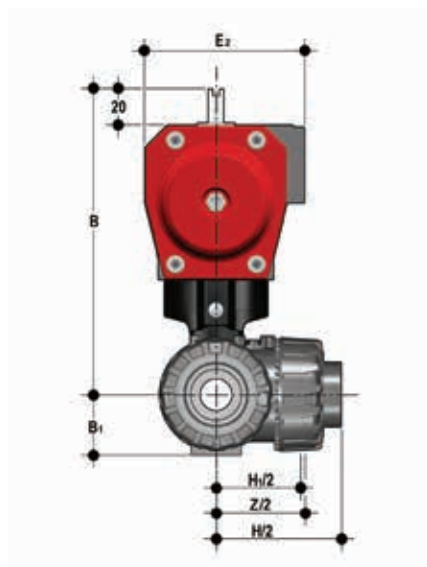
LKDDM/CE 24 V AC/DC

3 way DUAL BLOCK® ball valve with male ends for socket welding with electric actuator 24 V AC/DC. "L" ball

d	DN	PN	E	H	H ₁	L	g	EPDM Code	FKM Code
20	15	10	54	140	80	16	1728	LKDDMEL020E1	LKDDMEL020F1
25	20	10	65	175	100	18	1876	LKDDMEL025E1	LKDDMEL025F1
32	25	10	73	188	110	20	2014	LKDDMEL032E1	LKDDMEL032F1
40	32	10	86	220	131	22	2425	LKDDMEL040E1	LKDDMEL040F1
50	40	10	98	251	148	25	2652	LKDDMEL050E1	LKDDMEL050F1
63	50	10	122	294	179	29	3357	LKDDMEL063E1	LKDDMEL063F1

DIMENSIONS

TKD/CP DN 10÷50 PVC-U



Dimensions common to all double-acting versions

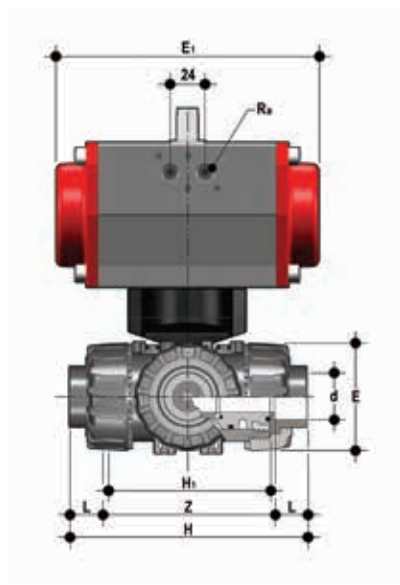
DN	B	B ₁	E ₂
10	145	29	75
15	145	29	86
20	156.5	34.5	86
25	161	39	86
32	194	46	86
40	200	52	86
50	200	62	86

Dimensions common to all single-acting versions

DN	B	B ₁	E ₂
10	145	29	75
15	145	29	86
20	156.5	34.5	86
25	161	39	86
32	194	46	86
40	200	52	86
50	217	62	94

DIMENSIONS

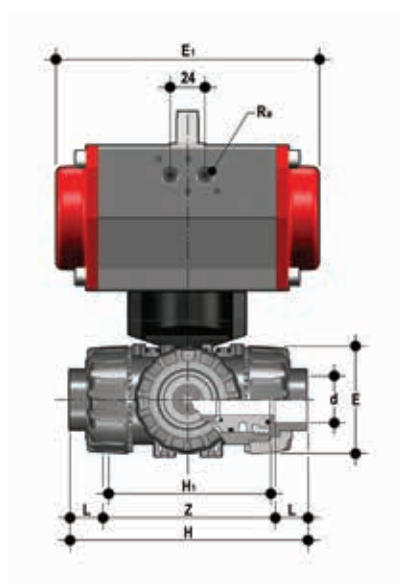
TKD/CP DN 10÷50 PVC-U



TKDIV/CP DA

3 way DUAL BLOCK® ball valve with female metric ends with pneumatic actuator, Double-Acting function "T" ball, configuration 1

d	DN	PN	E	H	H ₁	L	Z	R _a	E ₁	g	EPDM Code	FKM Code
16	10	16	54	118	80	14	90	G1/8"	138	1413	TKDIVDA016E1	TKDIVDA016F1
20	15	16	54	118	80	16	86	G1/8"	138	1943	TKDIVDA020E1	TKDIVDA020F1
25	20	16	65	145	100	19	107	G1/4"	155.5	2186	TKDIVDA025E1	TKDIVDA025F1
32	25	16	73	160	110	22	116	G1/4"	155.5	2409	TKDIVDA032E1	TKDIVDA032F1
40	32	16	86	188.5	131	26	136.5	G1/4"	155.5	2913	TKDIVDA040E1	TKDIVDA040F1
50	40	16	98	219	148	31	157	G1/4"	155.5	3260	TKDIVDA050E1	TKDIVDA050F1
63	50	16	122	266.5	179	38	190.5	G1/4"	155.5	5684	TKDIVDA063E1	TKDIVDA063F1



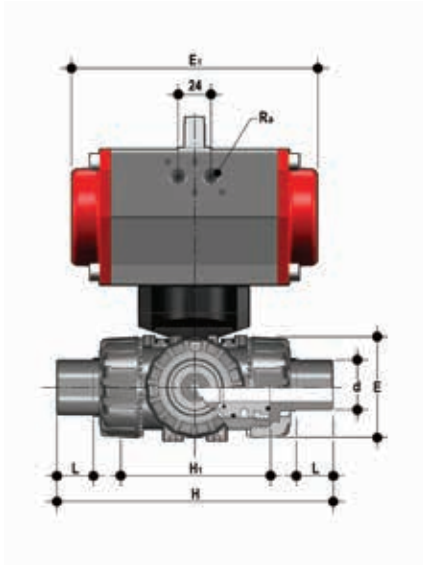
TKDIV/CP SA

3 way DUAL BLOCK® ball valve with female metric ends with pneumatic actuator, Single-acting function "T" ball, configuration 1

d	DN	PN	E	H	H ₁	L	Z	R _a	E ₁	g	EPDM Code	FKM Code
16	10	16	54	118	80	14	90	G1/8"	138	1543	TKDIVSA016E1	TKDIVSA016F1
20	15	16	54	118	80	16	86	G1/8"	138	2143	TKDIVSA020E1	TKDIVSA020F1
25	20	16	65	145	100	19	107	G1/4"	155.5	2386	TKDIVSA025E1	TKDIVSA025F1
32	25	16	73	160	110	22	116	G1/4"	155.5	2659	TKDIVSA032E1	TKDIVSA032F1
40	32	16	86	188.5	131	26	136.5	G1/4"	155.5	3113	TKDIVSA040E1	TKDIVSA040F1
50	40	16	98	219	148	31	157	G1/4"	155.5	3460	TKDIVSA050E1	TKDIVSA050F1
63	50	16	122	266.5	179	38	190.5	G1/4"	210	6154	TKDIVSA063E1	TKDIVSA063F1

DIMENSIONS

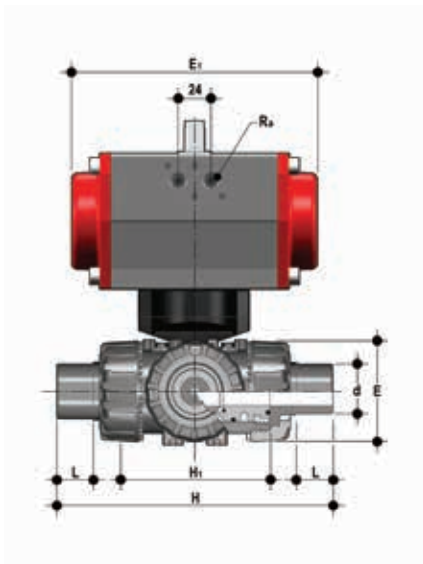
TKD/CP DN 10÷50 PVC-U



TKDDV/CP DA

3 way DUAL BLOCK® ball valve with male metric ends with pneumatic actuator, Double-Acting function. "T" ball, configuration 1

d	DN	PN	E	H	H ₁	L	R ₀	E ₁	g	EPDM Code	FKM Code
20	15	16	54	140	80	16	G1/8"	138	1943	TKDDVDA020E1	TKDDVDA020F1
25	20	16	65	175	100	19	G1/8"	155.5	2186	TKDDVDA025E1	TKDDVDA025F1
32	25	16	73	188	110	22	G1/8"	155.5	2409	TKDDVDA032E1	TKDDVDA032F1
40	32	16	86	220	131	26	G1/4"	155.5	2913	TKDDVDA040E1	TKDDVDA040F1
50	40	16	98	251	148	31	G1/4"	155.5	3260	TKDDVDA050E1	TKDDVDA050F1
63	50	16	122	294	179	38	G1/4"	155.5	5684	TKDDVDA063E1	TKDDVDA063F1



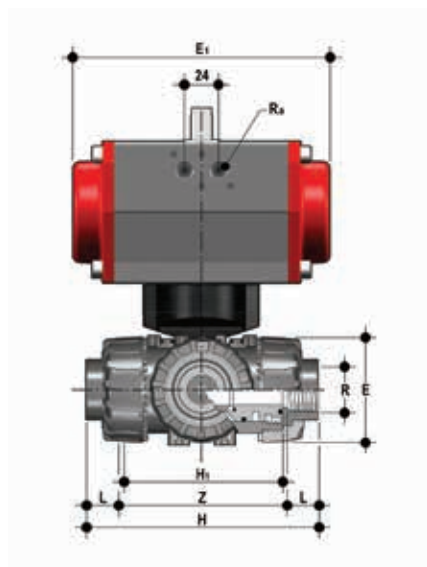
TKDDV/CP SA

3 way DUAL BLOCK® ball valve with male metric ends with pneumatic actuator, Single-acting function. "T" ball, configuration 1

d	DN	PN	E	H	H ₁	L	R ₀	E ₁	g	EPDM Code	FKM Code
20	15	16	54	140	80	16	G1/8"	138	2143	TKDDVSA020E1	TKDDVSA020F1
25	20	16	65	175	100	19	G1/8"	155.5	2386	TKDDVSA025E1	TKDDVSA025F1
32	25	16	73	188	110	22	G1/8"	155.5	2659	TKDDVSA032E1	TKDDVSA032F1
40	32	16	86	220	131	26	G1/4"	155.5	3113	TKDDVSA040E1	TKDDVSA040F1
50	40	16	98	251	148	31	G1/4"	155.5	3460	TKDDVSA050E1	TKDDVSA050F1
63	50	16	122	294	179	38	G1/4"	210	6154	TKDDVSA063E1	TKDDVSA063F1

DIMENSIONS

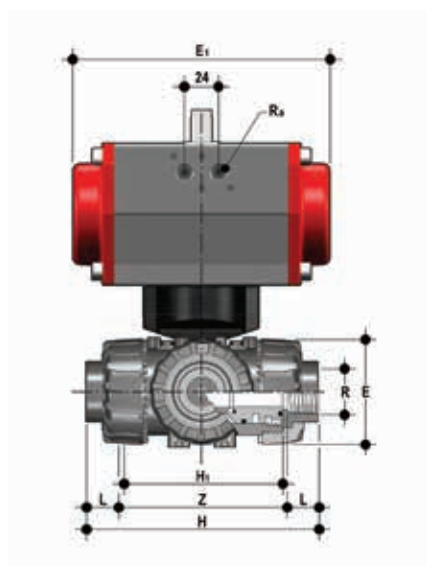
TKD/CP DN 10÷50 PVC-U



TKDFV/CP DA

3 way DUAL BLOCK® ball valve with gas cylinder thread female ends with pneumatic actuator, Double-Acting function "T" ball, configuration 1

R	DN	PN	E	H	H ₁	L	Z	R ₀	E ₁	g	EPDM Code	FKM Code
3/8"	10	16	54	118	80	11.4	95	G1/8"	138	1413	TKDFVDA038E1	TKDFVDA038F1
1/2"	15	16	54	125	80	15	95	G1/8"	138	1943	TKDFVDA012E1	TKDFVDA012F1
3/4"	20	16	65	146	100	16.3	114	G1/4"	155.5	2186	TKDFVDA034E1	TKDFVDA034F1
1"	25	16	73	166	110	19.1	129	G1/4"	155.5	2409	TKDFVDA100E1	TKDFVDA100F1
1" 1/4	32	16	86	195.5	131	21.4	151	G1/4"	155.5	2913	TKDFVDA114E1	TKDFVDA114F1
1" 1/2	40	16	98	211	148	21.4	166	G1/4"	155.5	3260	TKDFVDA112E1	TKDFVDA112F1
2"	50	16	122	253.5	179	25.7	199	G1/4"	155.5	5684	TKDFVDA200E1	TKDFVDA200F1



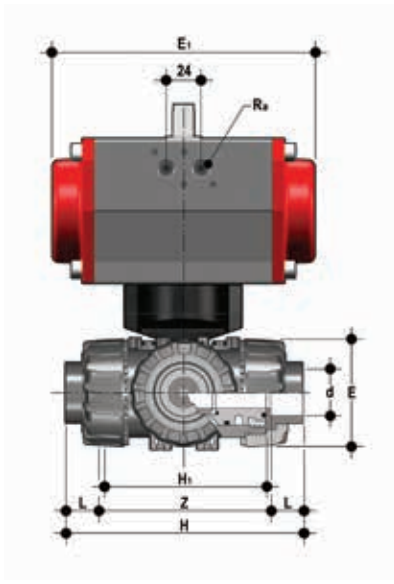
TKDFV/CP SA

3 way DUAL BLOCK® ball valve with gas cylinder thread female ends with pneumatic actuator, Single-acting function "T" ball, configuration 1

R	DN	PN	E	H	H ₁	L	Z	R ₀	E ₁	g	EPDM Code	FKM Code
3/8"	10	16	54	118	80	11.4	95	G1/8"	138	1543	TKDFVSA038E1	TKDFVSA038F1
1/2"	15	16	54	125	80	15	95	G1/8"	138	2143	TKDFVSA012E1	TKDFVSA012F1
3/4"	20	16	65	146	100	16.3	114	G1/4"	155.5	2386	TKDFVSA034E1	TKDFVSA034F1
1"	25	16	73	166	110	19.1	129	G1/4"	155.5	2659	TKDFVSA100E1	TKDFVSA100F1
1" 1/4	32	16	86	195.5	131	21.4	151	G1/4"	155.5	3113	TKDFVSA114E1	TKDFVSA114F1
1" 1/2	40	16	98	211	148	21.4	166	G1/4"	155.5	3460	TKDFVSA112E1	TKDFVSA112F1
2"	50	16	122	253.5	179	25.7	199	G1/4"	210	6154	TKDFVSA200E1	TKDFVSA200F1

DIMENSIONS

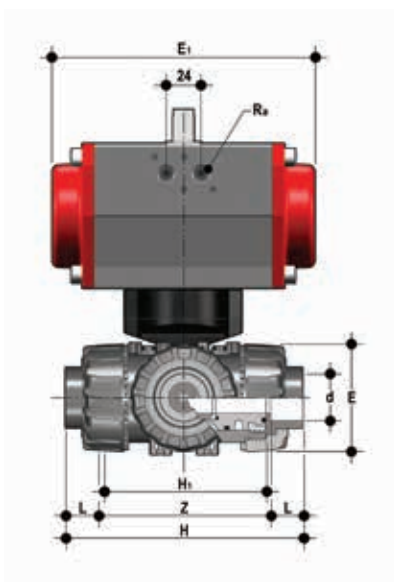
TKD/CP DN 10÷50 PVC-U



TKDLV/CP DA

3 way DUAL BLOCK® ball valve with female ends, BS series with pneumatic actuator, Double-Acting function. "T" ball, configuration 1

R	DN	PN	E	H	H ₁	L	Z	R _a	E ₁	g	EPDM Code	FKM Code
3/8"	10	16	54	118	80	14.7	88.6	G1/8"	138	1413	TKDLVDA038E1	TKDLVDA038F1
1/2"	15	16	54	118	80	17	85	G1/8"	138	1943	TKDLVDA012E1	TKDLVDA012F1
3/4"	20	16	65	144.8	100	19	106.8	G1/4"	155.5	2186	TKDLVDA034E1	TKDLVDA034F1
1"	25	16	73	160	110	22.5	115	G1/4"	155.5	2409	TKDLVDA100E1	TKDLVDA100F1
1" 1/4	32	16	86	188.6	131	26	136.6	G1/4"	155.5	2913	TKDLVDA114E1	TKDLVDA114F1
1" 1/2	40	16	98	219.4	148	30.2	159	G1/4"	155.5	3260	TKDLVDA112E1	TKDLVDA112F1
2"	50	16	122	266.6	179	36.2	194.2	G1/4"	155.5	5684	TKDLVDA200E1	TKDLVDA200F1



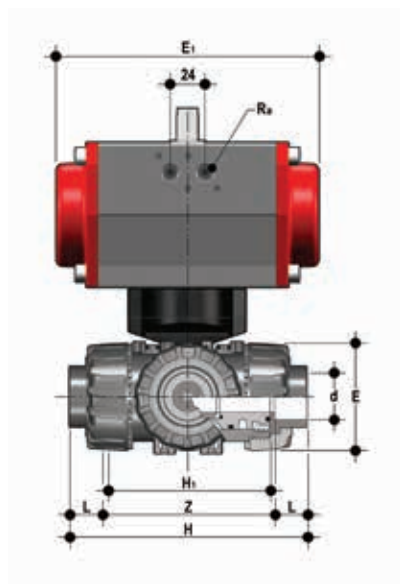
TKDLV/CP SA

3 way DUAL BLOCK® ball valve with female ends, BS series with pneumatic actuator, Single-acting function. "T" ball, configuration 1

R	DN	PN	E	H	H ₁	L	Z	R _a	E ₁	g	EPDM Code	FKM Code
3/8"	10	16	54	118	80	14.7	88.6	G1/8"	138	1543	TKDLVSA038E1	TKDLVSA038F1
1/2"	15	16	54	118	80	17	85	G1/8"	138	2143	TKDLVSA012E1	TKDLVSA012F1
3/4"	20	16	65	144.8	100	19	106.8	G1/4"	155.5	2386	TKDLVSA034E1	TKDLVSA034F1
1"	25	16	73	160	110	22.5	115	G1/4"	155.5	2659	TKDLVSA100E1	TKDLVSA100F1
1" 1/4	32	16	86	188.6	131	26	136.6	G1/4"	155.5	3113	TKDLVSA114E1	TKDLVSA114F1
1" 1/2	40	16	98	219.4	148	30.2	159	G1/4"	155.5	3460	TKDLVSA112E1	TKDLVSA112F1
2"	50	16	122	266.6	179	36.2	194.2	G1/4"	210	6154	TKDLVSA200E1	TKDLVSA200F1

DIMENSIONS

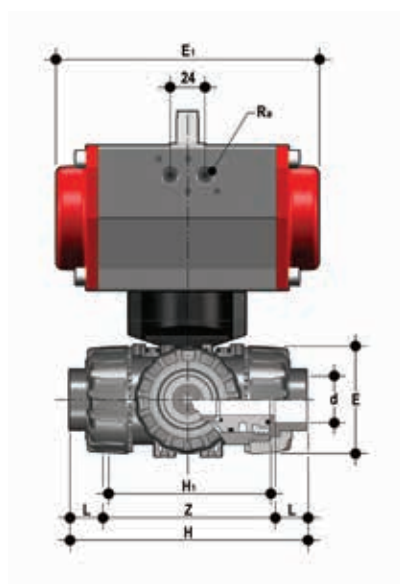
TKD/CP DN 10÷50 PVC-U



TKDAV/CP DA

3 way DUAL BLOCK® ball valve with female ends, ASTM series with pneumatic actuator, Double-Acting function. "T" ball, configuration 1

d	DN	PN	E	H	H ₁	L	Z	R _g	E ₁	g	EPDM Code	FKM Code
3/8"	10	16	54	132.2	80	19.5	93.2	G1/8"	138	1413	TKDAVDA038E1	TKDAVDA038F1
1/2"	15	16	54	132.2	80	23	86.2	G1/8"	138	1943	TKDAVDA012E1	TKDAVDA012F1
3/4"	20	16	65	159.2	100	25.5	108.2	G1/4"	155.5	2186	TKDAVDA034E1	TKDAVDA034F1
1"	25	16	73	174	110	28.7	116.6	G1/4"	155.5	2409	TKDAVDA100E1	TKDAVDA100F1
1" 1/4	32	16	86	205	131	32	141	G1/4"	155.5	2913	TKDAVDA114E1	TKDAVDA114F1
1" 1/2	40	16	98	227.6	148	35	157.6	G1/4"	155.5	3260	TKDAVDA112E1	TKDAVDA112F1
2"	50	16	122	267	179	38.2	190.6	G1/4"	155.5	5684	TKDAVDA200E1	TKDAVDA200F1



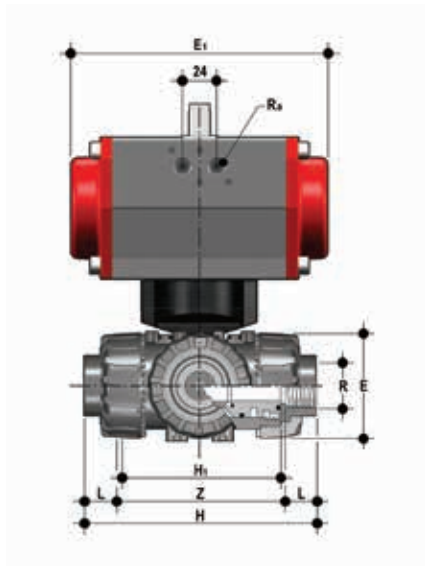
TKDAV/CP SA

3 way DUAL BLOCK® ball valve with female ends, ASTM series with pneumatic actuator, Single-acting function. "T" ball, configuration 1

d	DN	PN	E	H	H ₁	L	Z	R _g	E ₁	g	EPDM Code	FKM Code
3/8"	10	16	54	132.2	80	19.5	93.2	G1/8"	138	1543	TKDAVSA038E1	TKDAVSA038F1
1/2"	15	16	54	132.2	80	23	86.2	G1/8"	138	2143	TKDAVSA012E1	TKDAVSA012F1
3/4"	20	16	65	159.2	100	25.5	108.2	G1/4"	155.5	2386	TKDAVSA034E1	TKDAVSA034F1
1"	25	16	73	174	110	28.7	116.6	G1/4"	155.5	2659	TKDAVSA100E1	TKDAVSA100F1
1" 1/4	32	16	86	205	131	32	141	G1/4"	155.5	3113	TKDAVSA114E1	TKDAVSA114F1
1" 1/2	40	16	98	227.6	148	35	157.6	G1/4"	155.5	3460	TKDAVSA112E1	TKDAVSA112F1
2"	50	16	122	267	179	38.2	190.6	G1/4"	210	6154	TKDAVSA200E1	TKDAVSA200F1

DIMENSIONS

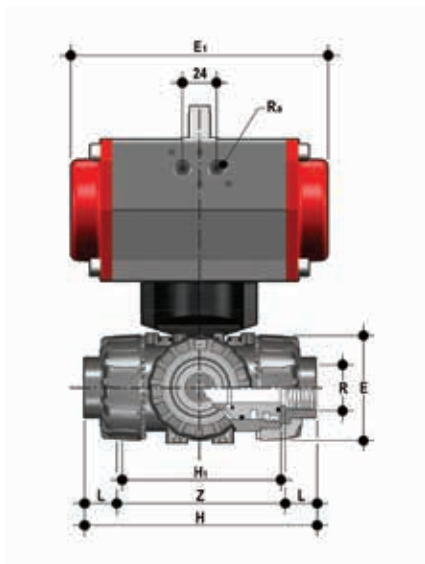
TKD/CP DN 10÷50 PVC-U



TKDNV/CP DA

3 way DUAL BLOCK® ball valve with NPT thread female ends with pneumatic actuator, Double-Acting function. "T" ball, configuration 1

R	DN	PN	E	H	H ₁	L	Z	R ₀	E ₁	g	EPDM Code	FKM Code
3/8"	10	16	54	118	80	13.7	90.6	G1/8"	138	1413	TKDNVDA038E1	TKDNVDA038F1
1/2"	15	16	54	126	80	18	90.4	G1/8"	138	1943	TKDNVDA012E1	TKDNVDA012F1
3/4"	20	16	65	146.4	100	18	110.4	G1/4"	155.5	2186	TKDNVDA034E1	TKDNVDA034F1
1"	25	16	73	166.6	110	22.6	121.4	G1/4"	155.5	2409	TKDNVDA100E1	TKDNVDA100F1
1" 1/4	32	16	86	195.8	131	25.1	145.6	G1/4"	155.5	2913	TKDNVDA114E1	TKDNVDA114F1
1" 1/2	40	16	98	211.4	148	24.7	162	G1/4"	155.5	3260	TKDNVDA112E1	TKDNVDA112F1
2"	50	16	122	253.8	179	29.6	194.6	G1/4"	155.5	5684	TKDNVDA200E1	TKDNVDA200F1



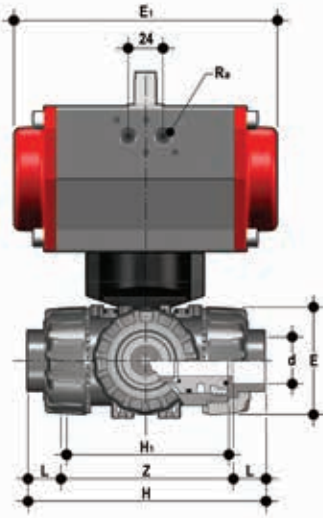
TKDNV/CP SA

3 way DUAL BLOCK® ball valve with NPT thread female ends with pneumatic actuator, Single-acting function. "T" ball, configuration 1

R	DN	PN	E	H	H ₁	L	Z	R ₀	E ₁	g	EPDM Code	FKM Code
3/8"	10	16	54	118	80	13.7	90.6	G1/8"	138	1543	TKDNVSA038E1	TKDNVSA038F1
1/2"	15	16	54	126	80	18	90.4	G1/8"	138	2143	TKDNVSA012E1	TKDNVSA012F1
3/4"	20	16	65	146.4	100	18	110.4	G1/4"	155.5	2386	TKDNVSA034E1	TKDNVSA034F1
1"	25	16	73	166.6	110	22.6	121.4	G1/4"	155.5	2659	TKDNVSA100E1	TKDNVSA100F1
1" 1/4	32	16	86	195.8	131	25.1	145.6	G1/4"	155.5	3113	TKDNVSA114E1	TKDNVSA114F1
1" 1/2	40	16	98	211.4	148	24.7	162	G1/4"	155.5	3460	TKDNVSA112E1	TKDNVSA112F1
2"	50	16	122	253.8	179	29.6	194.6	G1/4"	210	6154	TKDNVSA200E1	TKDNVSA200F1

DIMENSIONS

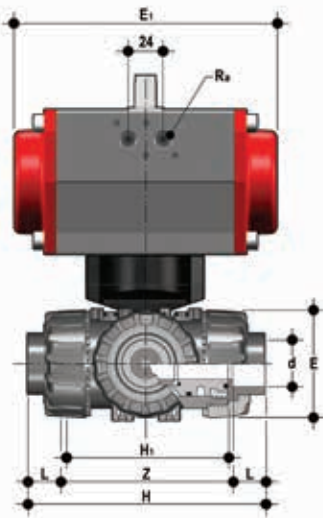
TKD/CP DN 10÷50 PVC-U



TKDJV/CP DA

3 way DUAL BLOCK® ball valve with female ends, JIS series, Double-Acting function. "T" ball, configuration 1

d	DN	PN	E	H	H ₁	L	Z	R _a	E ₁	g	EPDM Code	FKM Code
1/2"	15	16	54	146	80	30	86	G1/8"	138	1943	TKDJVDA012E1	TKDJVDA012F1
3/4"	20	16	65	177	100	35	107	G1/4"	155.5	2186	TKDJVDA034E1	TKDJVDA034F1
1"	25	16	73	196	110	40	116	G1/4"	155.5	2409	TKDJVDA100E1	TKDJVDA100F1
1" 1/4	32	16	86	225	131	44	137	G1/4"	155.5	2913	TKDJVDA114E1	TKDJVDA114F1
1" 1/2	40	16	98	267.2	148	55	157.2	G1/4"	155.5	3260	TKDJVDA112E1	TKDJVDA112F1
2"	50	16	122	316	179	63	190	G1/4"	155.5	5684	TKDJVDA200E1	TKDJVDA200F1



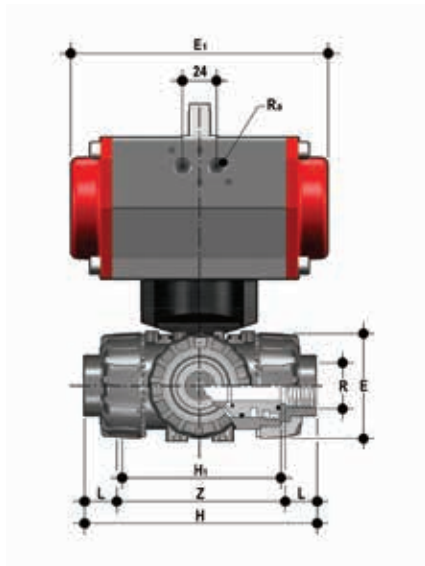
TKDJV/CP SA

3 way DUAL BLOCK® ball valve with female ends, JIS series, Single-acting function. "T" ball, configuration 1

d	DN	PN	E	H	H ₁	L	Z	R _a	E ₁	g	EPDM Code	FKM Code
1/2"	15	16	54	146	80	30	86	G1/8"	138	2143	TKDJVSA012E1	TKDJVSA012F1
3/4"	20	16	65	177	100	35	107	G1/4"	155.5	2386	TKDJVSA034E1	TKDJVSA034F1
1"	25	16	73	196	110	40	116	G1/4"	155.5	2659	TKDJVSA100E1	TKDJVSA100F1
1" 1/4	32	16	86	225	131	44	137	G1/4"	155.5	3113	TKDJVSA114E1	TKDJVSA114F1
1" 1/2	40	16	98	267.2	148	55	157.2	G1/4"	155.5	3460	TKDJVSA112E1	TKDJVSA112F1
2"	50	16	122	316	179	63	190	G1/4"	210	6154	TKDJVSA200E1	TKDJVSA200F1

DIMENSIONS

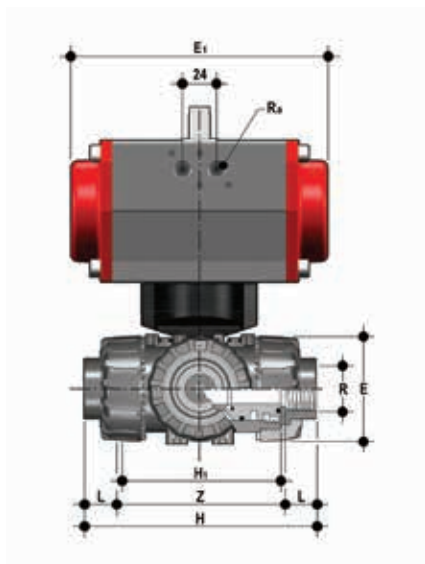
TKD/CP DN 10÷50 PVC-U



TKDGV/CP DA

3 way DUAL BLOCK® ball valve with female ends, JIS thread, Double-Acting function. "T" ball, configuration 1

R	DN	PN	E	H	H ₁	L	Z	R _b	E ₁	g	EPDM Code	FKM Code
1/2"	15	16	54	118	80	16	86	G1/8"	138	1943	TKDGVDA012E1	TKDGVDA012F1
3/4"	20	16	65	144.8	100	19	106.8	G1/4"	155.5	2186	TKDGVDA034E1	TKDGVDA034F1
1"	25	16	73	160	110	22	116	G1/4"	155.5	2409	TKDGVDA100E1	TKDGVDA100F1
1" 1/4	32	16	86	188.6	131	25	138.6	G1/4"	155.5	2913	TKDGVDA114E1	TKDGVDA114F1
1" 1/2	40	16	98	219.4	148	26	167.4	G1/4"	155.5	3260	TKDGVDA112E1	TKDGVDA112F1
2"	50	16	122	166.6	179	31	204.6	G1/4"	155.5	5684	TKDGVDA200E1	TKDGVDA200F1



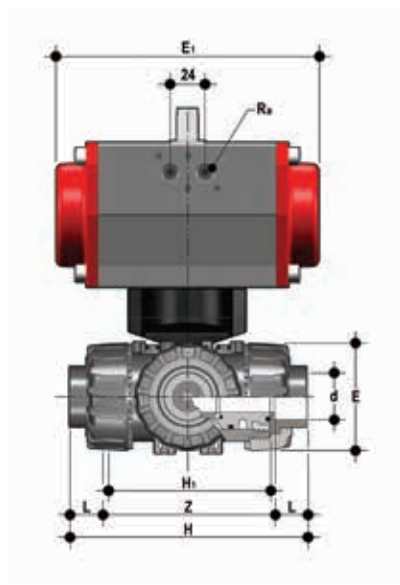
TKDGV/CP SA

3 way DUAL BLOCK® ball valve with female ends, JIS thread, Single-acting function. "T" ball, configuration 1

R	DN	PN	E	H	H ₁	L	Z	R _b	E ₁	g	EPDM Code	FKM Code
1/2"	15	16	54	118	80	16	86	G1/8"	138	2143	TKDGVSA012E1	TKDGVSA012F1
3/4"	20	16	65	144.8	100	19	106.8	G1/4"	155.5	2386	TKDGVSA034E1	TKDGVSA034F1
1"	25	16	73	160	110	22	116	G1/4"	155.5	2659	TKDGVSA100E1	TKDGVSA100F1
1" 1/4	32	16	86	188.6	131	25	138.6	G1/4"	155.5	3113	TKDGVSA114E1	TKDGVSA114F1
1" 1/2	40	16	98	219.4	148	26	167.4	G1/4"	155.5	3460	TKDGVSA112E1	TKDGVSA112F1
2"	50	16	122	166.6	179	31	204.6	G1/4"	210	6154	TKDGVSA200E1	TKDGVSA200F1

DIMENSIONS

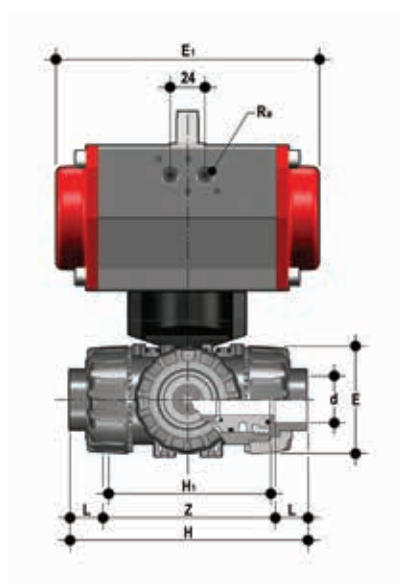
TKD/CP DN 10÷50 PVC-U



LKDIV/CP DA

3 way DUAL BLOCK® ball valve with female metric ends with pneumatic actuator, Double-Acting function "L" ball

d	DN	PN	E	H	H ₁	L	Z	R _g	E ₁	g	EPDM Code	FKM Code
16	10	16	54	118	80	14	90	G1/8"	138	1413	LKDIVDA016E1	LKDIVDA016F1
20	15	16	54	118	80	16	86	G1/8"	138	1943	LKDIVDA020E1	LKDIVDA020F1
25	20	16	65	145	100	19	107	G1/4"	155.5	2186	LKDIVDA025E1	LKDIVDA025F1
32	25	16	73	160	110	22	116	G1/4"	155.5	2409	LKDIVDA032E1	LKDIVDA032F1
40	32	16	86	188.5	131	26	136.5	G1/4"	155.5	2913	LKDIVDA040E1	LKDIVDA040F1
50	40	16	98	219	148	31	157	G1/4"	155.5	3260	LKDIVDA050E1	LKDIVDA050F1
63	50	16	122	266.5	179	38	190.5	G1/4"	155.5	5684	LKDIVDA063E1	LKDIVDA063F1



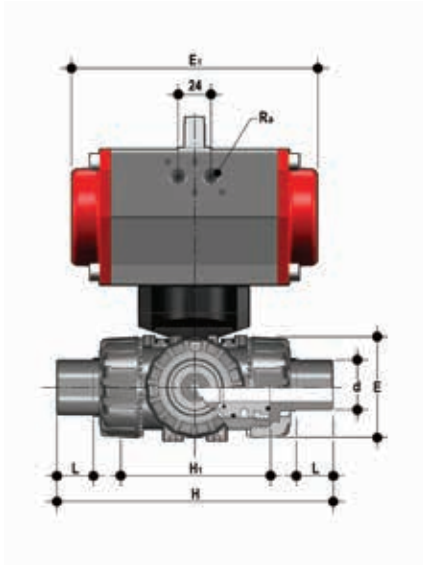
LKDIV/CP SA

3 way DUAL BLOCK® ball valve with female metric ends with pneumatic actuator, Single-acting function "L" ball

d	DN	PN	E	H	H ₁	L	Z	R _g	E ₁	g	EPDM Code	FKM Code
16	10	16	54	118	80	14	90	G1/8"	138	1543	LKDIVSA016E1	LKDIVSA016F1
20	15	16	54	118	80	16	86	G1/8"	138	2143	LKDIVSA020E1	LKDIVSA020F1
25	20	16	65	145	100	19	107	G1/4"	155.5	2386	LKDIVSA025E1	LKDIVSA025F1
32	25	16	73	160	110	22	116	G1/4"	155.5	2659	LKDIVSA032E1	LKDIVSA032F1
40	32	16	86	188.5	131	26	136.5	G1/4"	155.5	3113	LKDIVSA040E1	LKDIVSA040F1
50	40	16	98	219	148	31	157	G1/4"	155.5	3460	LKDIVSA050E1	LKDIVSA050F1
63	50	16	122	266.5	179	38	190.5	G1/4"	210	6154	LKDIVSA063E1	LKDIVSA063F1

DIMENSIONS

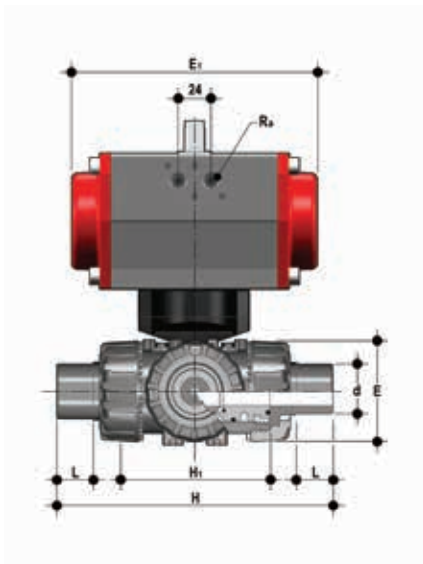
TKD/CP DN 10÷50 PVC-U



LKDDV/CP DA

3 way DUAL BLOCK® ball valve with male metric ends with pneumatic actuator, Double-Acting function. "L" ball

d	DN	PN	E	H	H ₁	L	R ₀	E ₁	g	EPDM Code	FKM Code
20	15	16	54	140	80	16	G1/8"	138	1943	LKDDVDA020E1	LKDDVDA020F1
25	20	16	65	175	100	19	G1/8"	155.5	2186	LKDDVDA025E1	LKDDVDA025F1
32	25	16	73	188	110	22	G1/8"	155.5	2409	LKDDVDA032E1	LKDDVDA032F1
40	32	16	86	220	131	26	G1/4"	155.5	2913	LKDDVDA040E1	LKDDVDA040F1
50	40	16	98	251	148	31	G1/4"	155.5	3260	LKDDVDA050E1	LKDDVDA050F1
63	50	16	122	294	179	38	G1/4"	155.5	5684	LKDDVDA063E1	LKDDVDA063F1



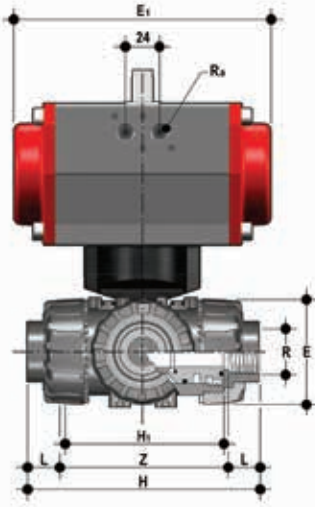
LKDDV/CP SA

3 way DUAL BLOCK® ball valve with male metric ends with pneumatic actuator, Single-acting function. "L" ball

d	DN	PN	E	H	H ₁	L	R ₀	E ₁	g	EPDM Code	FKM Code
20	15	16	54	140	80	16	G1/8"	138	2143	LKDDVSA020E1	LKDDVSA020F1
25	20	16	65	175	100	19	G1/8"	155.5	2386	LKDDVSA025E1	LKDDVSA025F1
32	25	16	73	188	110	22	G1/8"	155.5	2659	LKDDVSA032E1	LKDDVSA032F1
40	32	16	86	220	131	26	G1/4"	155.5	3113	LKDDVSA040E1	LKDDVSA040F1
50	40	16	98	251	148	31	G1/4"	155.5	3460	LKDDVSA050E1	LKDDVSA050F1
63	50	16	122	294	179	38	G1/4"	210	6154	LKDDVSA063E1	LKDDVSA063F1

DIMENSIONS

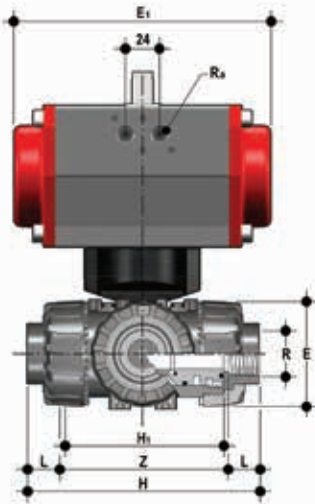
TKD/CP DN 10÷50 PVC-U



LKDFV/CP DA

3 way DUAL BLOCK® ball valve with gas cylinder thread female ends with pneumatic actuator, Double-Acting function "L" ball

R	DN	PN	E	H	H ₁	L	Z	R ₀	E ₁	g	EPDM Code	FKM Code
3/8"	10	16	54	118	80	11.4	95	G1/8"	138	1413	LKDFVDA038E1	LKDFVDA038F1
1/2"	15	16	54	125	80	15	95	G1/8"	138	1943	LKDFVDA012E1	LKDFVDA012F1
3/4"	20	16	65	146	100	16.3	114	G1/4"	155.5	2186	LKDFVDA034E1	LKDFVDA034F1
1"	25	16	73	166	110	19.1	129	G1/4"	155.5	2409	LKDFVDA100E1	LKDFVDA100F1
1" 1/4	32	16	86	195.5	131	21.4	151	G1/4"	155.5	2913	LKDFVDA114E1	LKDFVDA114F1
1" 1/2	40	16	98	211	148	21.4	166	G1/4"	155.5	3260	LKDFVDA112E1	LKDFVDA112F1
2"	50	16	122	253.5	179	25.7	199	G1/4"	155.5	5684	LKDFVDA200E1	LKDFVDA200F1



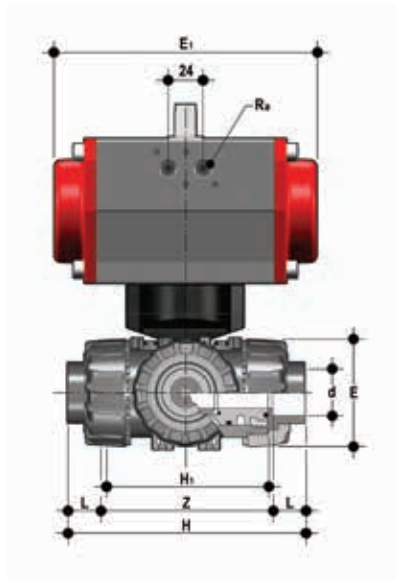
LKDFV/CP SA

3 way DUAL BLOCK® ball valve with gas cylinder thread female ends with pneumatic actuator, Single-acting function "L" ball

R	DN	PN	E	H	H ₁	L	Z	R ₀	E ₁	g	EPDM Code	FKM Code
3/8"	10	16	54	118	80	11.4	95	G1/8"	138	1543	LKDFVSA038E1	LKDFVSA038F1
1/2"	15	16	54	125	80	15	95	G1/8"	138	2143	LKDFVSA012E1	LKDFVSA012F1
3/4"	20	16	65	146	100	16.3	114	G1/4"	155.5	2386	LKDFVSA034E1	LKDFVSA034F1
1"	25	16	73	166	110	19.1	129	G1/4"	155.5	2659	LKDFVSA100E1	LKDFVSA100F1
1" 1/4	32	16	86	195.5	131	21.4	151	G1/4"	155.5	3113	LKDFVSA114E1	LKDFVSA114F1
1" 1/2	40	16	98	211	148	21.4	166	G1/4"	155.5	3460	LKDFVSA112E1	LKDFVSA112F1
2"	50	16	122	253.5	179	25.7	199	G1/4"	210	6154	LKDFVSA200E1	LKDFVSA200F1

DIMENSIONS

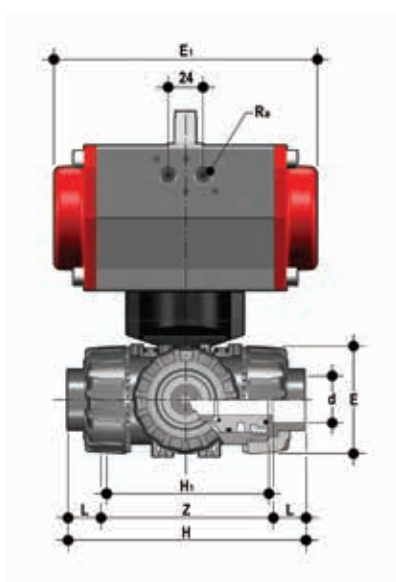
TKD/CP DN 10÷50 PVC-U



LKDLV/CP DA

3 way DUAL BLOCK® ball valve with female ends, BS series with pneumatic actuator, Double-Acting function. "L" ball

R	DN	PN	E	H	H ₁	L	Z	R _a	E ₁	g	EPDM Code	FKM Code
3/8"	10	16	54	118	80	14.7	88.6	G1/8"	138	1413	LKDLVDA038E1	LKDLVDA038F1
1/2"	15	16	54	118	80	17	85	G1/8"	138	1943	LKDLVDA012E1	LKDLVDA012F1
3/4"	20	16	65	144.8	100	19	106.8	G1/4"	155.5	2186	LKDLVDA034E1	LKDLVDA034F1
1"	25	16	73	160	110	22.5	115	G1/4"	155.5	2409	LKDLVDA100E1	LKDLVDA100F1
1" 1/4	32	16	86	188.6	131	26	136.6	G1/4"	155.5	2913	LKDLVDA114E1	LKDLVDA114F1
1" 1/2	40	16	98	219.4	148	30.2	159	G1/4"	155.5	3260	LKDLVDA112E1	LKDLVDA112F1
2"	50	16	122	266.6	179	36.2	194.2	G1/4"	155.5	5684	LKDLVDA200E1	LKDLVDA200F1



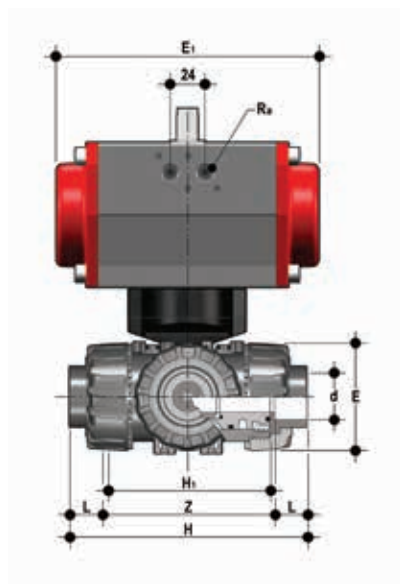
LKDLV/CP SA

3 way DUAL BLOCK® ball valve with female ends, BS series with pneumatic actuator, Single-acting function. "L" ball

R	DN	PN	E	H	H ₁	L	Z	R _a	E ₁	g	EPDM Code	FKM Code
3/8"	10	16	54	118	80	14.7	88.6	G1/8"	138	1543	LKDLVSA038E1	LKDLVSA038F1
1/2"	15	16	54	118	80	17	85	G1/8"	138	2143	LKDLVSA012E1	LKDLVSA012F1
3/4"	20	16	65	144.8	100	19	106.8	G1/4"	155.5	2386	LKDLVSA034E1	LKDLVSA034F1
1"	25	16	73	160	110	22.5	115	G1/4"	155.5	2659	LKDLVSA100E1	LKDLVSA100F1
1" 1/4	32	16	86	188.6	131	26	136.6	G1/4"	155.5	3113	LKDLVSA114E1	LKDLVSA114F1
1" 1/2	40	16	98	219.4	148	30.2	159	G1/4"	155.5	3460	LKDLVSA112E1	LKDLVSA112F1
2"	50	16	122	266.6	179	36.2	194.2	G1/4"	210	6154	LKDLVSA200E1	LKDLVSA200F1

DIMENSIONS

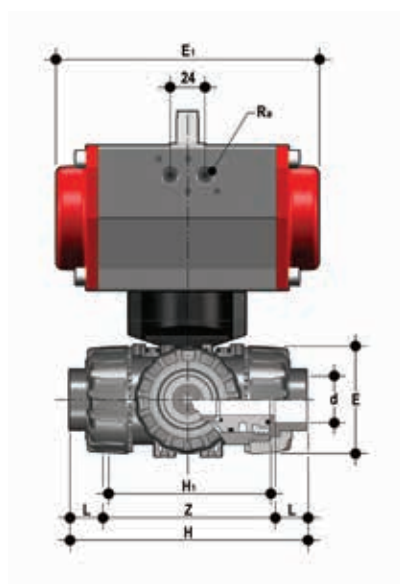
TKD/CP DN 10÷50 PVC-U



LKDAV/CP DA

3 way DUAL BLOCK® ball valve with female ends, ASTM series with pneumatic actuator, Double-Acting function. "L" ball

d	DN	PN	E	H	H ₁	L	Z	R _g	E ₁	g	EPDM Code	FKM Code
3/8"	10	16	54	132.2	80	19.5	93.2	G1/8"	138	1413	LKDAVDA038E1	LKDAVDA038F1
1/2"	15	16	54	132.2	80	23	86.2	G1/8"	138	1943	LKDAVDA012E1	LKDAVDA012F1
3/4"	20	16	65	159.2	100	25.5	108.2	G1/4"	155.5	2186	LKDAVDA034E1	LKDAVDA034F1
1"	25	16	73	174	110	28.7	116.6	G1/4"	155.5	2409	LKDAVDA100E1	LKDAVDA100F1
1" 1/4	32	16	86	205	131	32	141	G1/4"	155.5	2913	LKDAVDA114E1	LKDAVDA114F1
1" 1/2	40	16	98	227.6	148	35	157.6	G1/4"	155.5	3260	LKDAVDA112E1	LKDAVDA112F1
2"	50	16	122	267	179	38.2	190.6	G1/4"	155.5	5684	LKDAVDA200E1	LKDAVDA200F1



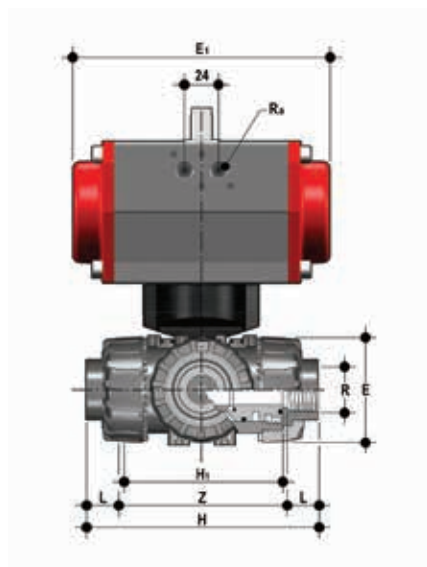
LKDAV/CP SA

3 way DUAL BLOCK® ball valve with female ends, ASTM series with pneumatic actuator, Single-acting function. "L" ball

d	DN	PN	E	H	H ₁	L	Z	R _g	E ₁	g	EPDM Code	FKM Code
3/8"	10	16	54	132.2	80	19.5	93.2	G1/8"	138	1543	LKDAVSA038E1	LKDAVSA038F1
1/2"	15	16	54	132.2	80	23	86.2	G1/8"	138	2143	LKDAVSA012E1	LKDAVSA012F1
3/4"	20	16	65	159.2	100	25.5	108.2	G1/4"	155.5	2386	LKDAVSA034E1	LKDAVSA034F1
1"	25	16	73	174	110	28.7	116.6	G1/4"	155.5	2659	LKDAVSA100E1	LKDAVSA100F1
1" 1/4	32	16	86	205	131	32	141	G1/4"	155.5	3113	LKDAVSA114E1	LKDAVSA114F1
1" 1/2	40	16	98	227.6	148	35	157.6	G1/4"	155.5	3460	LKDAVSA112E1	LKDAVSA112F1
2"	50	16	122	267	179	38.2	190.6	G1/4"	210	6154	LKDAVSA200E1	LKDAVSA200F1

DIMENSIONS

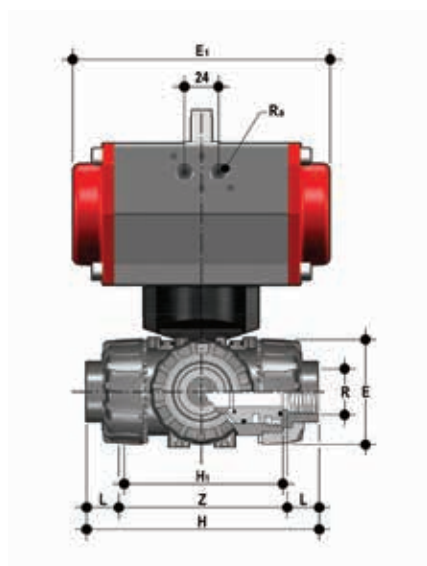
TKD/CP DN 10÷50 PVC-U



LKDNV/CP DA

3 way DUAL BLOCK® ball valve with NPT thread female ends with pneumatic actuator, Double-Acting function. "L" ball

R	DN	PN	E	H	H ₁	L	Z	R ₀	E ₁	g	EPDM Code	FKM Code
3/8"	10	16	54	118	80	13.7	90.6	G1/8"	138	1413	LKDNVDA038E1	LKDNVDA038F1
1/2"	15	16	54	126	80	18	90.4	G1/8"	138	1943	LKDNVDA012E1	LKDNVDA012F1
3/4"	20	16	65	146.4	100	18	110.4	G1/4"	155.5	2186	LKDNVDA034E1	LKDNVDA034F1
1"	25	16	73	166.6	110	22.6	121.4	G1/4"	155.5	2409	LKDNVDA100E1	LKDNVDA100F1
1" 1/4	32	16	86	195.8	131	25.1	145.6	G1/4"	155.5	2913	LKDNVDA114E1	LKDNVDA114F1
1" 1/2	40	16	98	211.4	148	24.7	162	G1/4"	155.5	3260	LKDNVDA112E1	LKDNVDA112F1
2"	50	16	122	253.8	179	29.6	194.6	G1/4"	155.5	5684	LKDNVDA200E1	LKDNVDA200F1



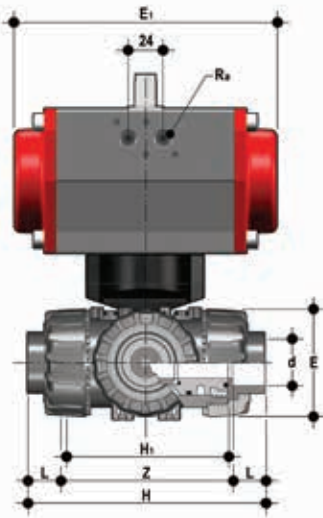
LKDNV/CP SA

3 way DUAL BLOCK® ball valve with NPT thread female ends with pneumatic actuator, Single-acting function. "L" ball

R	DN	PN	E	H	H ₁	L	Z	R ₀	E ₁	g	EPDM Code	FKM Code
3/8"	10	16	54	118	80	13.7	90.6	G1/8"	138	1543	LKDNVSA038E1	LKDNVSA038F1
1/2"	15	16	54	126	80	18	90.4	G1/8"	138	2143	LKDNVSA012E1	LKDNVSA012F1
3/4"	20	16	65	146.4	100	18	110.4	G1/4"	155.5	2386	LKDNVSA034E1	LKDNVSA034F1
1"	25	16	73	166.6	110	22.6	121.4	G1/4"	155.5	2659	LKDNVSA100E1	LKDNVSA100F1
1" 1/4	32	16	86	195.8	131	25.1	145.6	G1/4"	155.5	3113	LKDNVSA114E1	LKDNVSA114F1
1" 1/2	40	16	98	211.4	148	24.7	162	G1/4"	155.5	3460	LKDNVSA112E1	LKDNVSA112F1
2"	50	16	122	253.8	179	29.6	194.6	G1/4"	210	6154	LKDNVSA200E1	LKDNVSA200F1

DIMENSIONS

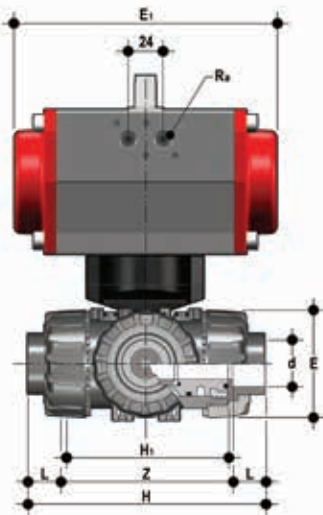
TKD/CP DN 10÷50 PVC-U



LKDJV/CP DA

3 way DUAL BLOCK® ball valve with female ends, JIS series, Double-Acting function. "L" ball

d	DN	PN	E	H	H ₁	L	Z	R _a	E ₁	g	EPDM Code	FKM Code
1/2"	15	16	54	146	80	30	86	G1/8"	138	1943	LKDJVDA012E1	LKDJVDA012F1
3/4"	20	16	65	177	100	35	107	G1/4"	155.5	2186	LKDJVDA034E1	LKDJVDA034F1
1"	25	16	73	196	110	40	116	G1/4"	155.5	2409	LKDJVDA100E1	LKDJVDA100F1
1" 1/4	32	16	86	225	131	44	137	G1/4"	155.5	2913	LKDJVDA114E1	LKDJVDA114F1
1" 1/2	40	16	98	267.2	148	55	157.2	G1/4"	155.5	3260	LKDJVDA112E1	LKDJVDA112F1
2"	50	16	122	316	179	63	190	G1/4"	155.5	5684	LKDJVDA200E1	LKDJVDA200F1



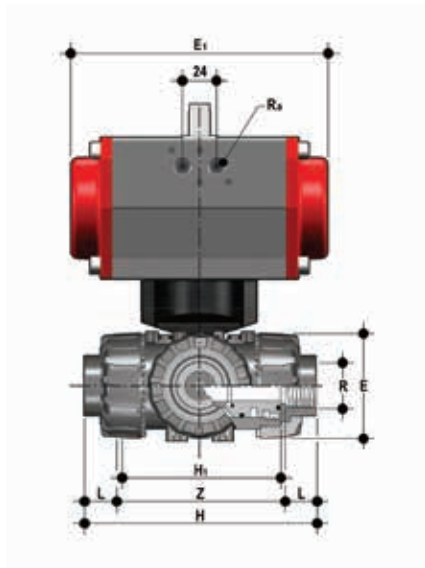
LKDJV/CP SA

3 way DUAL BLOCK® ball valve with female ends, JIS series, Single-acting function. "L" ball

d	DN	PN	E	H	H ₁	L	Z	R _a	E ₁	g	EPDM Code	FKM Code
1/2"	15	16	54	146	80	30	86	G1/8"	138	2143	LKDJVSA012E1	LKDJVSA012F1
3/4"	20	16	65	177	100	35	107	G1/4"	155.5	2386	LKDJVSA034E1	LKDJVSA034F1
1"	25	16	73	196	110	40	116	G1/4"	155.5	2659	LKDJVSA100E1	LKDJVSA100F1
1" 1/4	32	16	86	225	131	44	137	G1/4"	155.5	3113	LKDJVSA114E1	LKDJVSA114F1
1" 1/2	40	16	98	267.2	148	55	157.2	G1/4"	155.5	3460	LKDJVSA112E1	LKDJVSA112F1
2"	50	16	122	316	179	63	190	G1/4"	210	6154	LKDJVSA200E1	LKDJVSA200F1

DIMENSIONS

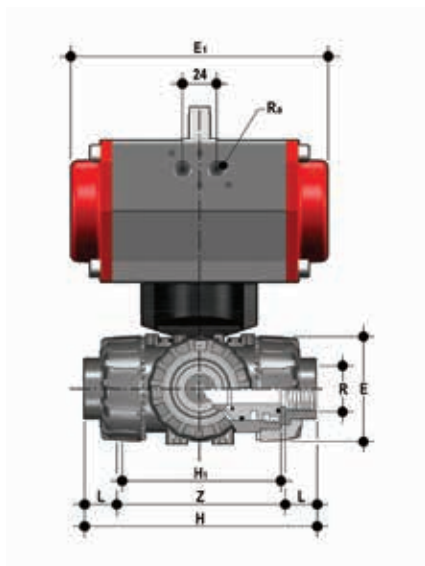
TKD/CP DN 10÷50 PVC-U



LKDG/CP DA

3 way DUAL BLOCK® ball valve with female ends, JIS thread, Double-Acting function. "L" ball

R	DN	PN	E	H	H ₁	L	Z	R _b	E ₁	g	EPDM Code	FKM Code
1/2"	15	16	54	118	80	16	86	G1/8"	138	1943	LKDGVDA012E1	LKDGVDA012F1
3/4"	20	16	65	144.8	100	19	106.8	G1/4"	155.5	2186	LKDGVDA034E1	LKDGVDA034F1
1"	25	16	73	160	110	22	116	G1/4"	155.5	2409	LKDGVDA100E1	LKDGVDA100F1
1" 1/4	32	16	86	188.6	131	25	138.6	G1/4"	155.5	2913	LKDGVDA114E1	LKDGVDA114F1
1" 1/2	40	16	98	219.4	148	26	167.4	G1/4"	155.5	3260	LKDGVDA112E1	LKDGVDA112F1
2"	50	16	122	166.6	179	31	204.6	G1/4"	155.5	5684	LKDGVDA200E1	LKDGVDA200F1



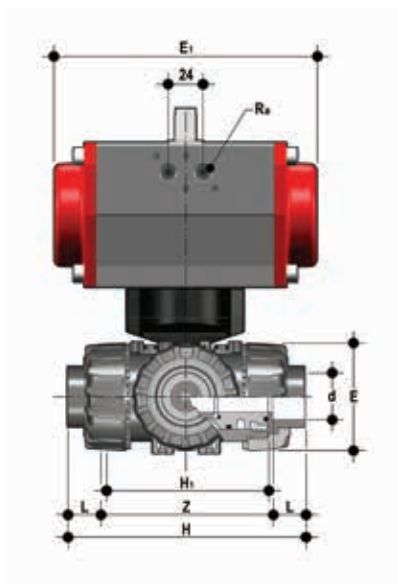
LKDG/CP SA

3 way DUAL BLOCK® ball valve with female ends, JIS thread, Single-acting function. "L" ball

R	DN	PN	E	H	H ₁	L	Z	R _b	E ₁	g	EPDM Code	FKM Code
1/2"	15	16	54	118	80	16	86	G1/8"	138	2143	LKDGVSA012E1	LKDGVSA012F1
3/4"	20	16	65	144.8	100	19	106.8	G1/4"	155.5	2386	LKDGVSA034E1	LKDGVSA034F1
1"	25	16	73	160	110	22	116	G1/4"	155.5	2659	LKDGVSA100E1	LKDGVSA100F1
1" 1/4	32	16	86	188.6	131	25	138.6	G1/4"	155.5	3113	LKDGVSA114E1	LKDGVSA114F1
1" 1/2	40	16	98	219.4	148	26	167.4	G1/4"	155.5	3460	LKDGVSA112E1	LKDGVSA112F1
2"	50	16	122	166.6	179	31	204.6	G1/4"	210	6154	LKDGVSA200E1	LKDGVSA200F1

DIMENSIONS

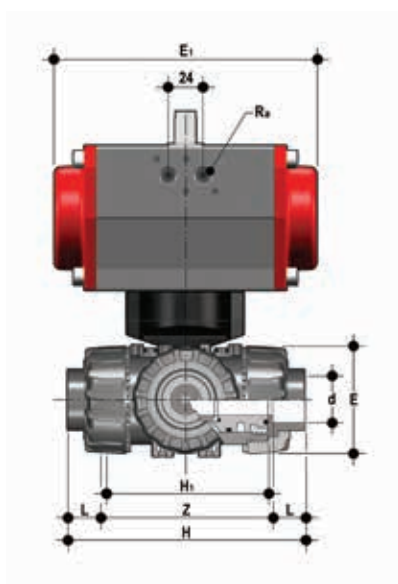
TKD/CP DN 10÷50 PVC-C



TKDIC/CP DA

3 way DUAL BLOCK® ball valve with female ends for solvent welding, metric series with pneumatic actuator, Double-Acting function "T" ball, configuration 1

d	DN	PN	E	H	H ₁	L	Z	R ₀	E ₁	g	EPDM Code	FKM Code
16	10	16	54	118	80	14	90	G1/8"	138	1442	TKDICDA016E1	TKDICDA016F1
20	15	16	54	118	80	16	86	G1/8"	138	1972	TKDICDA020E1	TKDICDA020F1
25	20	16	65	145	100	19	107	G1/4"	155.5	2236	TKDICDA025E1	TKDICDA025F1
32	25	16	73	160	110	22	116	G1/4"	155.5	2532	TKDICDA032E1	TKDICDA032F1
40	32	16	86	188.5	131	26	136.5	G1/4"	155.5	3025	TKDICDA040E1	TKDICDA040F1
50	40	16	98	219	148	31	157	G1/4"	155.5	3410	TKDICDA050E1	TKDICDA050F1
63	50	16	122	266.5	179	38	190.5	G1/4"	155.5	5944	TKDICDA063E1	TKDICDA063F1



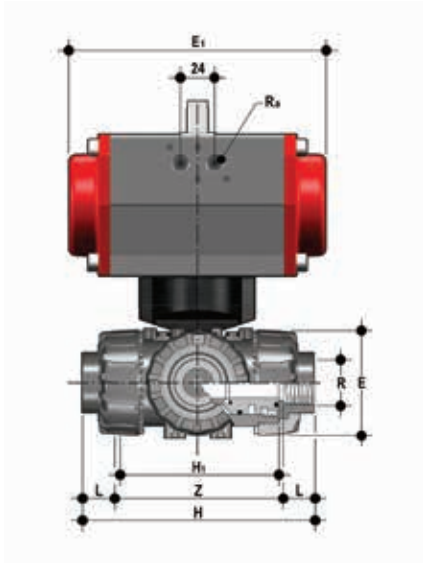
TKDIC/CP SA

3 way DUAL BLOCK® ball valve with female ends for solvent welding, metric series with pneumatic actuator, Single-acting function "T" ball, configuration 1

d	DN	PN	E	H	H ₁	L	Z	R ₀	E ₁	g	EPDM Code	FKM Code
16	10	16	54	118	80	14	90	G1/8"	138	1562	TKDICSA016E1	TKDICSA016F1
20	15	16	54	118	80	16	86	G1/8"	138	2172	TKDICSA020E1	TKDICSA020F1
25	20	16	65	145	100	19	107	G1/4"	155.5	2436	TKDICSA025E1	TKDICSA025F1
32	25	16	73	160	110	22	116	G1/4"	155.5	2732	TKDICSA032E1	TKDICSA032F1
40	32	16	86	188.5	131	26	136.5	G1/4"	155.5	3225	TKDICSA040E1	TKDICSA040F1
50	40	16	98	219	148	31	157	G1/4"	155.5	3610	TKDICSA050E1	TKDICSA050F1
63	50	16	122	266.5	179	38	190.5	G1/4"	210	6414	TKDICSA063E1	TKDICSA063F1

DIMENSIONS

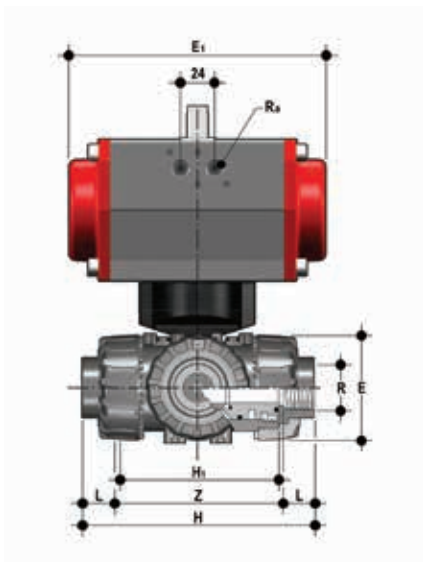
TKD/CP DN 10÷50 PVC-C



TKDNC/CP DA

3 way DUAL BLOCK® ball valve with NPT thread female ends with pneumatic actuator, Double-Acting function. "T" ball, configuration 1

R	DN	PN	E	H	H ₁	L	Z	R ₀	E ₁	g	EPDM Code	FKM Code
3/8"	10	16	54	118	80	13.7	90.6	G1/8"	138	1442	TKDNCDA038E1	TKDNCDA038F1
1/2"	15	16	54	126	80	18	90.4	G1/8"	138	1972	TKDNCDA012E1	TKDNCDA012F1
3/4"	20	16	65	146.4	100	18	110.4	G1/4"	155.5	2236	TKDNCDA034E1	TKDNCDA034F1
1"	25	16	73	166.6	110	22.6	121.4	G1/4"	155.5	2532	TKDNCDA100E1	TKDNCDA100F1
1" 1/4	32	16	86	195.8	131	25.1	145.6	G1/4"	155.5	3025	TKDNCDA114E1	TKDNCDA114F1
1" 1/2	40	16	98	211.4	148	24.7	162	G1/4"	155.5	3410	TKDNCDA112E1	TKDNCDA112F1
2"	50	16	122	253.8	179	29.6	194.6	G1/4"	155.5	5944	TKDNCDA200E1	TKDNCDA200F1



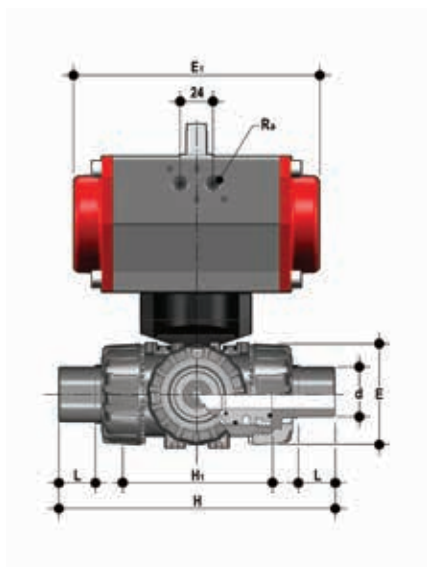
TKDNC/CP SA

3 way DUAL BLOCK® ball valve with NPT thread female ends with pneumatic actuator, Single-acting function. "T" ball, configuration 1

R	DN	PN	E	H	H ₁	L	Z	R ₀	E ₁	g	EPDM Code	FKM Code
3/8"	10	16	54	118	80	13.7	90.6	G1/8"	138	1562	TKDNCSA038E1	TKDNCSA038F1
1/2"	15	16	54	126	80	18	90.4	G1/8"	138	2172	TKDNCSA012E1	TKDNCSA012F1
3/4"	20	16	65	146.4	100	18	110.4	G1/4"	155.5	2436	TKDNCSA034E1	TKDNCSA034F1
1"	25	16	73	166.6	110	22.6	121.4	G1/4"	155.5	2732	TKDNCSA100E1	TKDNCSA100F1
1" 1/4	32	16	86	195.8	131	25.1	145.6	G1/4"	155.5	3225	TKDNCSA114E1	TKDNCSA114F1
1" 1/2	40	16	98	211.4	148	24.7	162	G1/4"	155.5	3610	TKDNCSA112E1	TKDNCSA112F1
2"	50	16	122	253.8	179	29.6	194.6	G1/4"	210	6414	TKDNCSA200E1	TKDNCSA200F1

DIMENSIONS

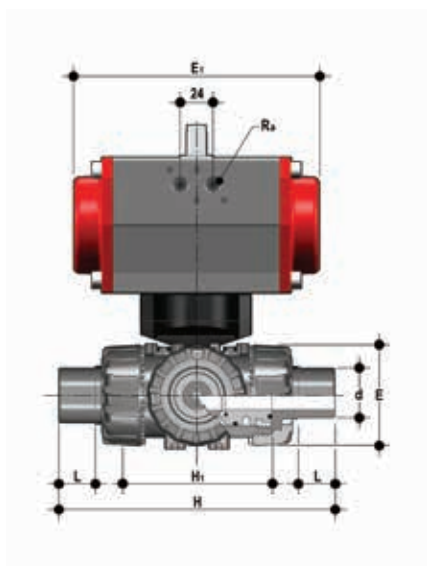
TKD/CP DN 10÷50 PVC-C



TKDDC/CP DA

3 way DUAL BLOCK® ball valve with male metric ends with pneumatic actuator, Double-Acting function. "T" ball, configuration 1

d	DN	PN	E	H	H ₁	L	R _o	E ₁	g	EPDM Code	FKM Code
20	15	16	54	140	80	16	G1/8"	138	1972	TKDDCDA020E1	TKDDCDA020F1
25	20	16	65	175	100	19	G1/8"	155.5	2236	TKDDCDA025E1	TKDDCDA025F1
32	25	16	73	188	110	22	G1/8"	155.5	2532	TKDDCDA032E1	TKDDCDA032F1
40	32	16	86	220	131	26	G1/4"	155.5	3025	TKDDCDA040E1	TKDDCDA040F1
50	40	16	98	251	148	31	G1/4"	155.5	3410	TKDDCDA050E1	TKDDCDA050F1
63	50	16	122	294	179	38	G1/4"	155.5	5944	TKDDCDA063E1	TKDDCDA063F1



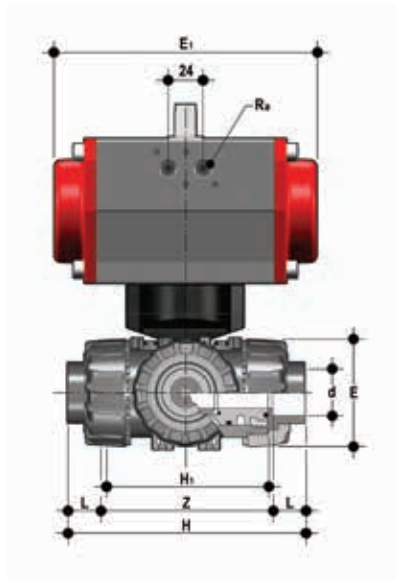
TKDDC/CP SA

3 way DUAL BLOCK® ball valve with male metric ends with pneumatic actuator, Single-acting function. "T" ball, configuration 1

d	DN	PN	E	H	H ₁	L	R _o	E ₁	g	EPDM Code	FKM Code
20	15	16	54	140	80	16	G1/8"	138	2172	TKDDCSA020E1	TKDDCSA020F1
25	20	16	65	175	100	19	G1/8"	155.5	2436	TKDDCSA025E1	TKDDCSA025F1
32	25	16	73	188	110	22	G1/8"	155.5	2732	TKDDCSA032E1	TKDDCSA032F1
40	32	16	86	220	131	26	G1/4"	155.5	3225	TKDDCSA040E1	TKDDCSA040F1
50	40	16	98	251	148	31	G1/4"	155.5	3610	TKDDCSA050E1	TKDDCSA050F1
63	50	16	122	294	179	38	G1/4"	155.5	6414	TKDDCSA063E1	TKDDCSA063F1

DIMENSIONS

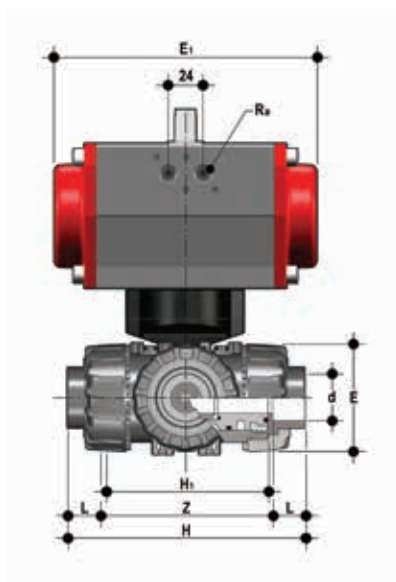
TKD/CP DN 10÷50 PVC-C



TKDAC/CP DA

3 way DUAL BLOCK® ball valve with female ends for solvent welding, ASTM series with pneumatic actuator, Double-Acting function. "T" ball, configuration 1

d	DN	PN	E	H	H ₁	L	Z	R ₀	E ₁	g	EPDM Code	FKM Code
3/8"	10	16	54	132.2	80	19.5	93.2	G1/8"	138	1442	TKDACDA038E1	TKDACDA038F1
1/2"	15	16	54	132.2	80	23	86.2	G1/8"	138	1972	TKDACDA012E1	TKDACDA012F1
3/4"	20	16	65	159.2	100	25.5	108.2	G1/4"	155.5	2236	TKDACDA034E1	TKDACDA034F1
1"	25	16	73	174	110	28.7	116.6	G1/4"	155.5	2532	TKDACDA100E1	TKDACDA100F1
1" 1/4	32	16	86	205	131	32	141	G1/4"	155.5	3025	TKDACDA114E1	TKDACDA114F1
1" 1/2	40	16	98	227.6	148	35	157.6	G1/4"	155.5	3410	TKDACDA112E1	TKDACDA112F1
2"	50	16	122	267	179	38.2	190.6	G1/4"	155.5	5944	TKDACDA200E1	TKDACDA200F1



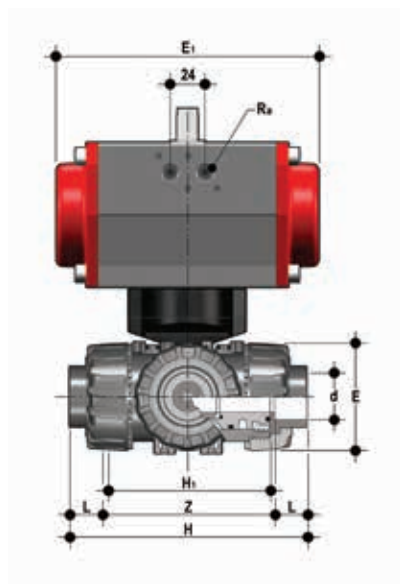
TKDAC/CP SA

3 way DUAL BLOCK® ball valve with female ends for solvent welding, ASTM series with pneumatic actuator, Single-acting function. "T" ball, configuration 1

d	DN	PN	E	H	H ₁	L	Z	R ₀	E ₁	g	EPDM Code	FKM Code
3/8"	10	16	54	132.2	80	19.5	93.2	G1/8"	138	1562	TKDACSA038E1	TKDACSA038F1
1/2"	15	16	54	132.2	80	23	86.2	G1/8"	138	2172	TKDACSA012E1	TKDACSA012F1
3/4"	20	16	65	159.2	100	25.5	108.2	G1/4"	155.5	2436	TKDACSA034E1	TKDACSA034F1
1"	25	16	73	174	110	28.7	116.6	G1/4"	155.5	2732	TKDACSA100E1	TKDACSA100F1
1" 1/4	32	16	86	205	131	32	141	G1/4"	155.5	3225	TKDACSA114E1	TKDACSA114F1
1" 1/2	40	16	98	227.6	148	35	157.6	G1/4"	155.5	3610	TKDACSA112E1	TKDACSA112F1
2"	50	16	122	267	179	38.2	190.6	G1/4"	210	6414	TKDACSA200E1	TKDACSA200F1

DIMENSIONS

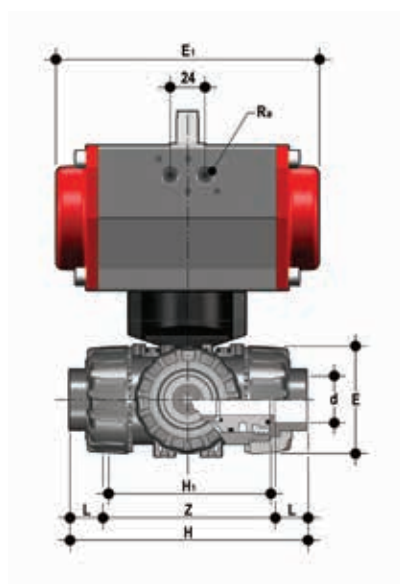
TKD/CP DN 10÷50 PVC-C



LKDIC/CP DA

3 way DUAL BLOCK® ball valve with female ends for solvent welding, metric series with pneumatic actuator, Double-Acting function "L" ball

d	DN	PN	E	H	H ₁	L	Z	R _a	E ₁	g	EPDM Code	FKM Code
16	10	16	54	118	80	14	90	G1/8"	138	1442	LKDICDA016E1	LKDICDA016F1
20	15	16	54	118	80	16	86	G1/8"	138	1972	LKDICDA020E1	LKDICDA020F1
25	20	16	65	145	100	19	107	G1/4"	155.5	2236	LKDICDA025E1	LKDICDA025F1
32	25	16	73	160	110	22	116	G1/4"	155.5	2532	LKDICDA032E1	LKDICDA032F1
40	32	16	86	188.5	131	26	136.5	G1/4"	155.5	3025	LKDICDA040E1	LKDICDA040F1
50	40	16	98	219	148	31	157	G1/4"	155.5	3410	LKDICDA050E1	LKDICDA050F1
63	50	16	122	266.5	179	38	190.5	G1/4"	155.5	5944	LKDICDA063E1	LKDICDA063F1



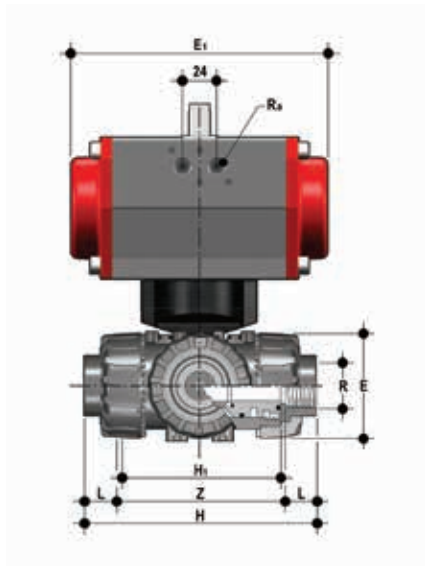
LKDIC/CP SA

3 way DUAL BLOCK® ball valve with female ends for solvent welding, metric series with pneumatic actuator, Single-acting function "L" ball

d	DN	PN	E	H	H ₁	L	Z	R _a	E ₁	g	EPDM Code	FKM Code
16	10	16	54	118	80	14	90	G1/8"	138	1562	LKDICSA016E1	LKDICSA016F1
20	15	16	54	118	80	16	86	G1/8"	138	2172	LKDICSA020E1	LKDICSA020F1
25	20	16	65	145	100	19	107	G1/4"	155.5	2436	LKDICSA025E1	LKDICSA025F1
32	25	16	73	160	110	22	116	G1/4"	155.5	2732	LKDICSA032E1	LKDICSA032F1
40	32	16	86	188.5	131	26	136.5	G1/4"	155.5	3225	LKDICSA040E1	LKDICSA040F1
50	40	16	98	219	148	31	157	G1/4"	155.5	3610	LKDICSA050E1	LKDICSA050F1
63	50	16	122	266.5	179	38	190.5	G1/4"	210	6414	LKDICSA063E1	LKDICSA063F1

DIMENSIONS

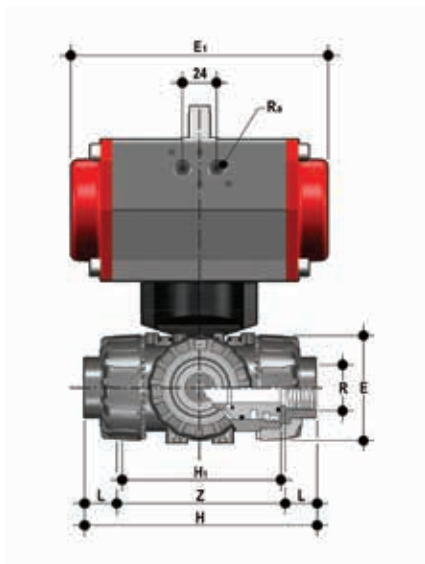
TKD/CP DN 10÷50 PVC-C



LKDNC/CP DA

3 way DUAL BLOCK® ball valve with NPT thread female ends with pneumatic actuator, Double-Acting function. "L" ball

R	DN	PN	E	H	H ₁	L	Z	R ₀	E ₁	g	EPDM Code	FKM Code
3/8"	10	16	54	118	80	13.7	90.6	G1/8"	138	1442	LKDNCDA038E1	LKDNCDA038F1
1/2"	15	16	54	126	80	18	90.4	G1/8"	138	1972	LKDNCDA012E1	LKDNCDA012F1
3/4"	20	16	65	146.4	100	18	110.4	G1/4"	155.5	2236	LKDNCDA034E1	LKDNCDA034F1
1"	25	16	73	166.6	110	22.6	121.4	G1/4"	155.5	2532	LKDNCDA100E1	LKDNCDA100F1
1" 1/4	32	16	86	195.8	131	25.1	145.6	G1/4"	155.5	3025	LKDNCDA114E1	LKDNCDA114F1
1" 1/2	40	16	98	211.4	148	24.7	162	G1/4"	155.5	3410	LKDNCDA112E1	LKDNCDA112F1
2"	50	16	122	253.8	179	29.6	194.6	G1/4"	155.5	5944	LKDNCDA200E1	LKDNCDA200F1



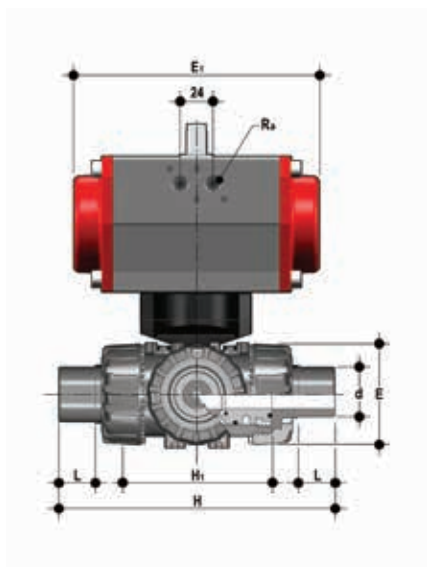
LKDNC/CP SA

3 way DUAL BLOCK® ball valve with NPT thread female ends with pneumatic actuator, Single-acting function. "L" ball

R	DN	PN	E	H	H ₁	L	Z	R ₀	E ₁	g	EPDM Code	FKM Code
3/8"	10	16	54	118	80	13.7	90.6	G1/8"	138	1562	LKDNCSA038E1	LKDNCSA038F1
1/2"	15	16	54	126	80	18	90.4	G1/8"	138	2172	LKDNCSA012E1	LKDNCSA012F1
3/4"	20	16	65	146.4	100	18	110.4	G1/4"	155.5	2436	LKDNCSA034E1	LKDNCSA034F1
1"	25	16	73	166.6	110	22.6	121.4	G1/4"	155.5	2732	LKDNCSA100E1	LKDNCSA100F1
1" 1/4	32	16	86	195.8	131	25.1	145.6	G1/4"	155.5	3225	LKDNCSA114E1	LKDNCSA114F1
1" 1/2	40	16	98	211.4	148	24.7	162	G1/4"	155.5	3610	LKDNCSA112E1	LKDNCSA112F1
2"	50	16	122	253.8	179	29.6	194.6	G1/4"	210	6414	LKDNCSA200E1	LKDNCSA200F1

DIMENSIONS

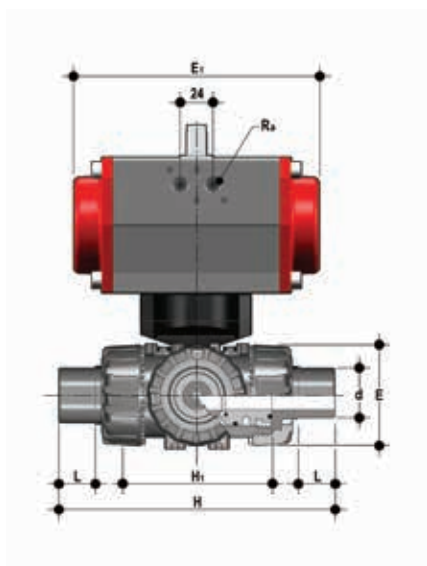
TKD/CP DN 10÷50 PVC-C



LKDDC/CP DA

3 way DUAL BLOCK® ball valve with male metric ends with pneumatic actuator, Double-Acting function. "L" ball

d	DN	PN	E	H	H ₁	L	R ₀	E ₁	g	EPDM Code	FKM Code
20	15	16	54	140	80	16	G1/8"	138	1972	LKDDCDA020E1	LKDDCDA020F1
25	20	16	65	175	100	19	G1/8"	155.5	2236	LKDDCDA025E1	LKDDCDA025F1
32	25	16	73	188	110	22	G1/8"	155.5	2532	LKDDCDA032E1	LKDDCDA032F1
40	32	16	86	220	131	26	G1/4"	155.5	3025	LKDDCDA040E1	LKDDCDA040F1
50	40	16	98	251	148	31	G1/4"	155.5	3410	LKDDCDA050E1	LKDDCDA050F1
63	50	16	122	294	179	38	G1/4"	155.5	5944	LKDDCDA063E1	LKDDCDA063F1



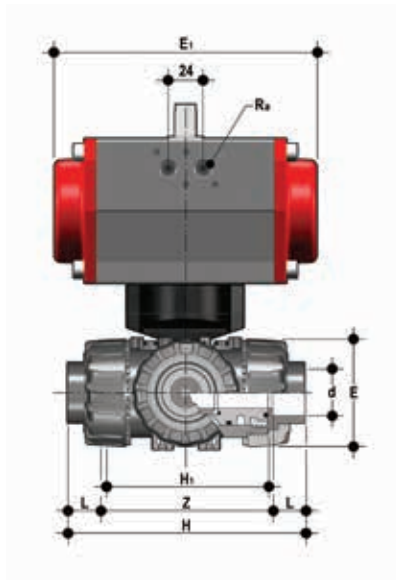
LKDDC/CP SA

3 way DUAL BLOCK® ball valve with male metric ends with pneumatic actuator, Single-acting function. "L" ball

d	DN	PN	E	H	H ₁	L	R ₀	E ₁	g	EPDM Code	FKM Code
20	15	16	54	140	80	16	G1/8"	138	2172	LKDDCSA020E1	LKDDCSA020F1
25	20	16	65	175	100	19	G1/8"	155.5	2436	LKDDCSA025E1	LKDDCSA025F1
32	25	16	73	188	110	22	G1/8"	155.5	2732	LKDDCSA032E1	LKDDCSA032F1
40	32	16	86	220	131	26	G1/4"	155.5	3225	LKDDCSA040E1	LKDDCSA040F1
50	40	16	98	251	148	31	G1/4"	155.5	3610	LKDDCSA050E1	LKDDCSA050F1
63	50	16	122	294	179	38	G1/4"	155.5	6414	LKDDCSA063E1	LKDDCSA063F1

DIMENSIONS

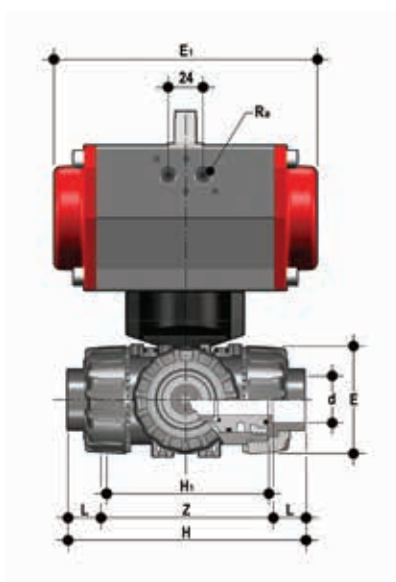
TKD/CP DN 10÷50 PVC-C



LKDAC/CP DA

3 way DUAL BLOCK® ball valve with female ends for solvent welding, ASTM series with pneumatic actuator, Double-Acting function. "L" ball

d	DN	PN	E	H	H ₁	L	Z	R _a	E ₁	g	EPDM Code	FKM Code
3/8"	10	16	54	132.2	80	19.5	93.2	G1/8"	138	1442	LKDACDA038E1	LKDACDA038F1
1/2"	15	16	54	132.2	80	23	86.2	G1/8"	138	1972	LKDACDA012E1	LKDACDA012F1
3/4"	20	16	65	159.2	100	25.5	108.2	G1/4"	155.5	2236	LKDACDA034E1	LKDACDA034F1
1"	25	16	73	174	110	28.7	116.6	G1/4"	155.5	2532	LKDACDA100E1	LKDACDA100F1
1" 1/4	32	16	86	205	131	32	141	G1/4"	155.5	3025	LKDACDA114E1	LKDACDA114F1
1" 1/2	40	16	98	227.6	148	35	157.6	G1/4"	155.5	3410	LKDACDA112E1	LKDACDA112F1
2"	50	16	122	267	179	38.2	190.6	G1/4"	155.5	5944	LKDACDA200E1	LKDACDA200F1



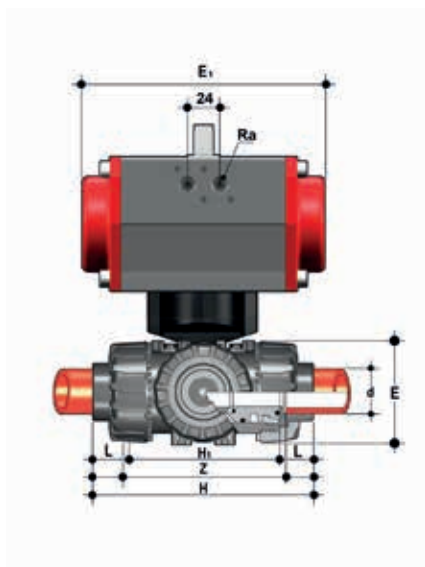
LKDACS/CP SA

3 way DUAL BLOCK® ball valve with female ends for solvent welding, ASTM series with pneumatic actuator, Single-acting function. "L" ball

d	DN	PN	E	H	H ₁	L	Z	R _a	E ₁	g	EPDM Code	FKM Code
3/8"	10	16	54	132.2	80	19.5	93.2	G1/8"	138	1562	LKDACSA038E1	LKDACSA038F1
1/2"	15	16	54	132.2	80	23	86.2	G1/8"	138	2172	LKDACSA012E1	LKDACSA012F1
3/4"	20	16	65	159.2	100	25.5	108.2	G1/4"	155.5	2436	LKDACSA034E1	LKDACSA034F1
1"	25	16	73	174	110	28.7	116.6	G1/4"	155.5	2732	LKDACSA100E1	LKDACSA100F1
1" 1/4	32	16	86	205	131	32	141	G1/4"	155.5	3225	LKDACSA114E1	LKDACSA114F1
1" 1/2	40	16	98	227.6	148	35	157.6	G1/4"	155.5	3610	LKDACSA112E1	LKDACSA112F1
2"	50	16	122	267	179	38.2	190.6	G1/4"	210	6414	LKDACSA200E1	LKDACSA200F1

DIMENSIONS

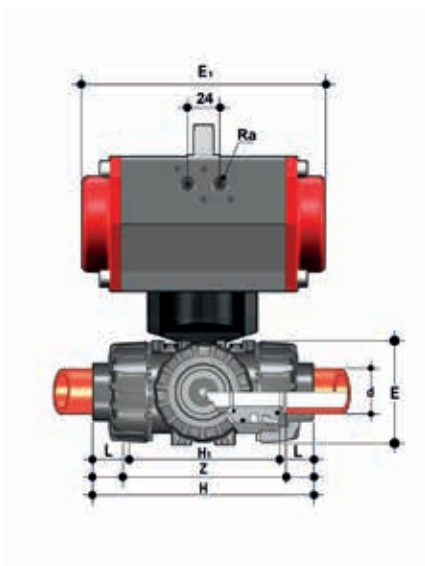
TKD/CP DN 10÷50 PP-H



TKDIM/CP DA

3 way DUAL BLOCK® ball valve with female ends for socket welding with electric actuator, Double-Acting function "T" ball, configuration 1

d	DN	PN	E	H	H ₁	Z	R ₀	E ₁	g	EPDM Code	FKM Code
16	10	10	54	118	80	90	G1/8"	138	1298	TKDIMDA016E1	TKDIMDA016F1
20	15	10	54	117	80	88	G1/8"	138	1828	TKDIMDA020E1	TKDIMDA020F1
25	20	10	65	144	100	112	G1/4"	155.5	1986	TKDIMDA025E1	TKDIMDA025F1
32	25	10	73	158	110	122	G1/4"	155.5	2174	TKDIMDA032E1	TKDIMDA032F1
40	32	10	86	184	131	143	G1/4"	155.5	2458	TKDIMDA040E1	TKDIMDA040F1
50	40	10	98	219	148	172	G1/4"	155.5	2670	TKDIMDA050E1	TKDIMDA050F1
63	50	10	122	267	179	212	G1/4"	155.5	4679	TKDIMDA063E1	TKDIMDA063F1



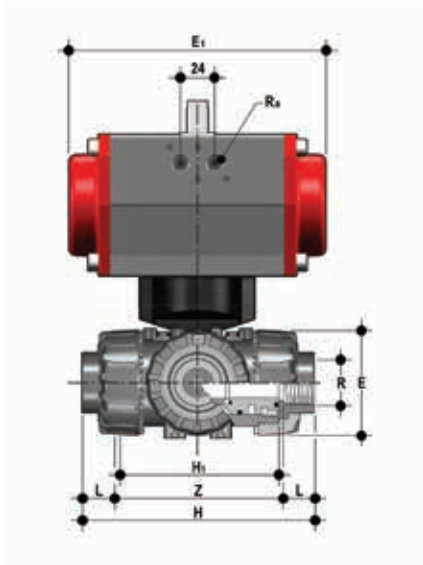
TKDIM/CP SA

3 way DUAL BLOCK® ball valve with female ends for socket welding with electric actuator, Single-acting function "T" ball, configuration 1

d	DN	PN	E	H	H ₁	Z	R ₀	E ₁	g	EPDM Code	FKM Code
16	10	10	54	118	80	90	G1/8"	138	1428	TKDIMSA016E1	TKDIMSA016F1
20	15	10	54	117	80	88	G1/8"	138	2028	TKDIMSA020E1	TKDIMSA020F1
25	20	10	65	144	100	112	G1/4"	155.5	2186	TKDIMSA025E1	TKDIMSA025F1
32	25	10	73	158	110	122	G1/4"	155.5	2374	TKDIMSA032E1	TKDIMSA032F1
40	32	10	86	184	131	143	G1/4"	155.5	2658	TKDIMSA040E1	TKDIMSA040F1
50	40	10	98	219	148	172	G1/4"	155.5	2870	TKDIMSA050E1	TKDIMSA050F1
63	50	10	122	267	179	212	G1/4"	210	5149	TKDIMSA063E1	TKDIMSA063F1

DIMENSIONS

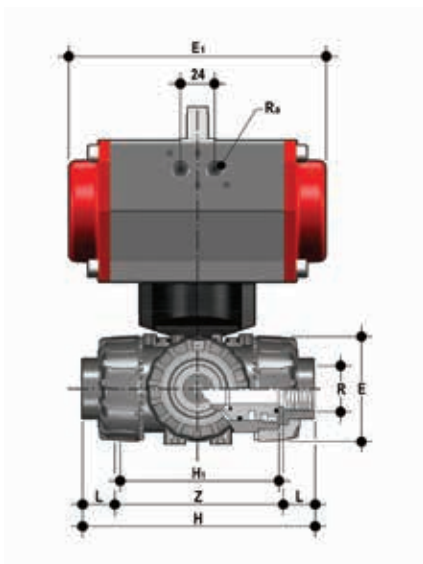
TKD/CP DN 10÷50 PP-H



TKDFM/CP DA

3 way DUAL BLOCK® ball valve with gas cylinder thread female ends with pneumatic actuator, Double-Acting function "T" ball, configuration 1

R	DN	PN	E	H	H ₁	L	Z	R _b	E ₁	g	EPDM Code	FKM Code
1/2"	15	10	54	117	80	15	87	G1/8"	138	1828	TKDFMDA012E1	TKDFMDA012F1
3/4"	20	10	65	143	100	16	114	G1/4"	155.5	1986	TKDFMDA034E1	TKDFMDA034F1
1"	25	10	73	157	110	19	120	G1/4"	155.5	2174	TKDFMDA100E1	TKDFMDA100F1
1" 1/4	32	10	86	185	131	21	140	G1/4"	155.5	2458	TKDFMDA114E1	TKDFMDA114F1
1" 1/2	40	10	98	217	148	21	172	G1/4"	155.5	2670	TKDFMDA112E1	TKDFMDA112F1
2"	50	10	122	266	179	26	211	G1/4"	155.5	4679	TKDFMDA200E1	TKDFMDA200F1



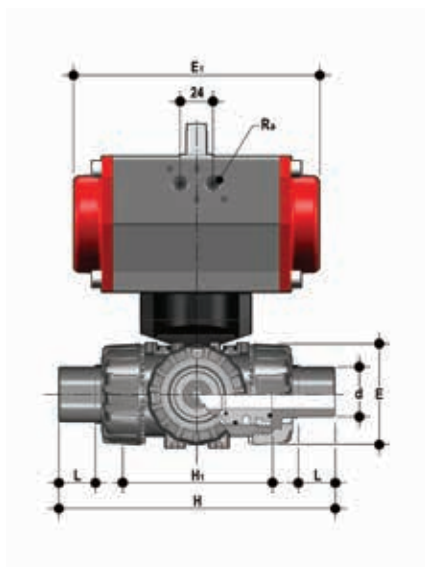
TKDFM/CP SA

3 way DUAL BLOCK® ball valve with gas cylinder thread female ends with pneumatic actuator, Single-acting function "T" ball, configuration 1

R	DN	PN	E	H	H ₁	L	Z	R _b	E ₁	g	EPDM Code	FKM Code
1/2"	15	10	54	117	80	15	87	G1/8"	138	2028	TKDFMSA012E1	TKDFMSA012F1
3/4"	20	10	65	143	100	16	114	G1/4"	155.5	2186	TKDFMSA034E1	TKDFMSA034F1
1"	25	10	73	157	110	19	120	G1/4"	155.5	2374	TKDFMSA100E1	TKDFMSA100F1
1" 1/4	32	10	86	185	131	21	140	G1/4"	155.5	2658	TKDFMSA114E1	TKDFMSA114F1
1" 1/2	40	10	98	217	148	21	172	G1/4"	155.5	2870	TKDFMSA112E1	TKDFMSA112F1
2"	50	10	122	266	179	26	211	G1/4"	210	5149	TKDFMSA200E1	TKDFMSA200F1

DIMENSIONS

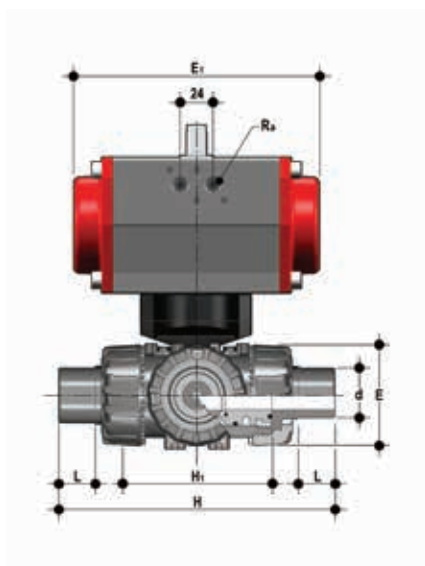
TKD/CP DN 10÷50 PP-H



TKDDM/CP DA

3 way DUAL BLOCK® ball valve with male ends for socket welding with pneumatic actuator, Double-Acting function. "T" ball, configuration 1

d	DN	PN	E	H	H ₁	L	R ₀	E ₁	g	EPDM Code	FKM Code
20	15	10	54	140	80	16	G1/8"	138	1828	TKDDMDA020E1	TKDDMDA020F1
25	20	10	65	175	100	18	G1/8"	155.5	1986	TKDDMDA025E1	TKDDMDA025F1
32	25	10	73	188	110	20	G1/8"	155.5	2174	TKDDMDA032E1	TKDDMDA032F1
40	32	10	86	220	131	22	G1/4"	155.5	2458	TKDDMDA040E1	TKDDMDA040F1
50	40	10	98	251	148	23	G1/4"	155.5	2670	TKDDMDA050E1	TKDDMDA050F1
63	50	10	122	294	179	29	G1/4"	155.5	4679	TKDDMDA063E1	TKDDMDA063F1



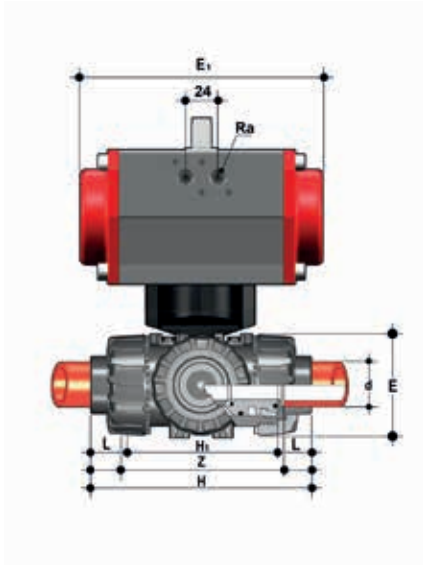
TKDDM/CP SA

3 way DUAL BLOCK® ball valve with male ends for socket welding with pneumatic actuator, Single-acting function. "T" ball, configuration 1

d	DN	PN	E	H	H ₁	L	R ₀	E ₁	g	EPDM Code	FKM Code
20	15	10	54	140	80	16	G1/8"	138	2028	TKDDMSA020E1	TKDDMSA020F1
25	20	10	65	175	100	18	G1/8"	155.5	2186	TKDDMSA025E1	TKDDMSA025F1
32	25	10	73	188	110	20	G1/8"	155.5	2374	TKDDMSA032E1	TKDDMSA032F1
40	32	10	86	220	131	22	G1/4"	155.5	2658	TKDDMSA040E1	TKDDMSA040F1
50	40	10	98	251	148	23	G1/4"	155.5	2870	TKDDMSA050E1	TKDDMSA050F1
63	50	10	122	294	179	29	G1/4"	210	5149	TKDDMSA063E1	TKDDMSA063F1

DIMENSIONS

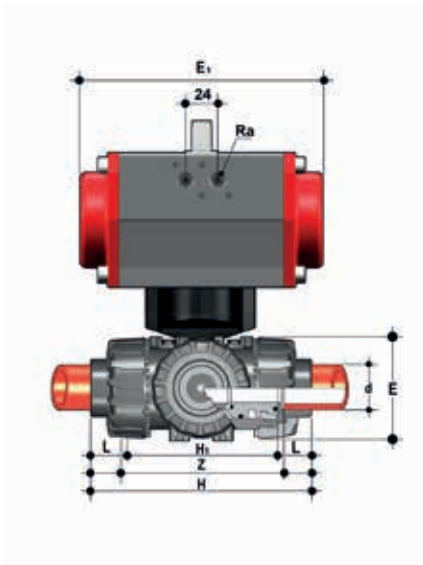
TKD/CP DN 10÷50 PP-H



LKDIM/CP DA

3 way DUAL BLOCK® ball valve with female ends for socket welding with pneumatic actuator, Double-Acting function "L" ball

d	DN	PN	E	H	H ₁	Z	R ₀	E ₁	g	EPDM Code	FKM Code
16	10	10	54	118	80	90	G1/8"	138	1298	LKDIMDA016E1	LKDIMDA016F1
20	15	10	54	117	80	88	G1/8"	138	1828	LKDIMDA020E1	LKDIMDA020F1
25	20	10	65	144	100	112	G1/4"	155.5	1986	LKDIMDA025E1	LKDIMDA025F1
32	25	10	73	158	110	122	G1/4"	155.5	2174	LKDIMDA032E1	LKDIMDA032F1
40	32	10	86	184	131	143	G1/4"	155.5	2458	LKDIMDA040E1	LKDIMDA040F1
50	40	10	98	219	148	172	G1/4"	155.5	2670	LKDIMDA050E1	LKDIMDA050F1
63	50	10	122	267	179	212	G1/4"	155.5	4679	LKDIMDA063E1	LKDIMDA063F1



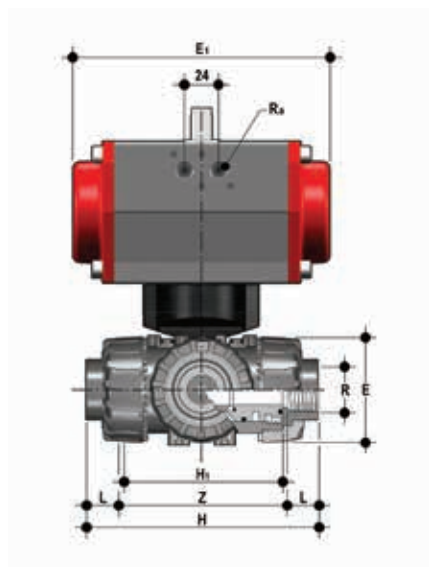
LKDIM/CP SA

3 way DUAL BLOCK® ball valve with female ends for socket welding with pneumatic actuator, Single-acting function "L" ball

d	DN	PN	E	H	H ₁	Z	R ₀	E ₁	g	EPDM Code	FKM Code
16	10	10	54	118	80	90	G1/8"	138	1428	LKDIMSA016E1	LKDIMSA016F1
20	15	10	54	117	80	88	G1/8"	138	2028	LKDIMSA020E1	LKDIMSA020F1
25	20	10	65	144	100	112	G1/4"	155.5	2186	LKDIMSA025E1	LKDIMSA025F1
32	25	10	73	158	110	122	G1/4"	155.5	2374	LKDIMSA032E1	LKDIMSA032F1
40	32	10	86	184	131	143	G1/4"	155.5	2658	LKDIMSA040E1	LKDIMSA040F1
50	40	10	98	219	148	172	G1/4"	155.5	2870	LKDIMSA050E1	LKDIMSA050F1
63	50	10	122	267	179	212	G1/4"	210	5149	LKDIMSA063E1	LKDIMSA063F1

DIMENSIONS

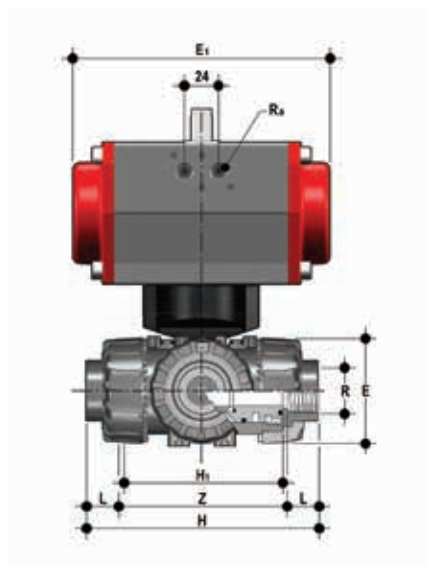
TKD/CP DN 10÷50 PP-H



LKDFM/CP DA

3 way DUAL BLOCK® ball valve with gas cylinder thread female ends with pneumatic actuator, Double-Acting function "L" ball

R	DN	PN	E	H	H ₁	L	Z	R _b	E ₁	g	EPDM Code	FKM Code
1/2"	15	10	54	117	80	15	87	G1/8"	138	1828	LKDFMDA012E1	LKDFMDA012F1
3/4"	20	10	65	143	100	16	114	G1/4"	155.5	1986	LKDFMDA034E1	LKDFMDA034F1
1"	25	10	73	157	110	19	120	G1/4"	155.5	2174	LKDFMDA100E1	LKDFMDA100F1
1" 1/4	32	10	86	185	131	21	140	G1/4"	155.5	2458	LKDFMDA114E1	LKDFMDA114F1
1" 1/2	40	10	98	217	148	21	172	G1/4"	155.5	2670	LKDFMDA112E1	LKDFMDA112F1
2"	50	10	122	266	179	26	211	G1/4"	155.5	4679	LKDFMDA200E1	LKDFMDA200F1



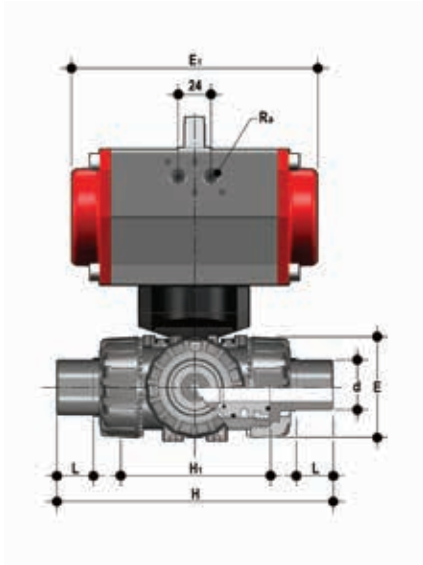
LKDFM/CP SA

3 way DUAL BLOCK® ball valve with gas cylinder thread female ends with pneumatic actuator, Single-acting function "L" ball

R	DN	PN	E	H	H ₁	L	Z	R _b	E ₁	g	EPDM Code	FKM Code
1/2"	15	10	54	117	80	15	87	G1/8"	138	2028	LKDFMSA012E1	LKDFMSA012F1
3/4"	20	10	65	143	100	16	114	G1/4"	155.5	2186	LKDFMSA034E1	LKDFMSA034F1
1"	25	10	73	157	110	19	120	G1/4"	155.5	2374	LKDFMSA100E1	LKDFMSA100F1
1" 1/4	32	10	86	185	131	21	140	G1/4"	155.5	2658	LKDFMSA114E1	LKDFMSA114F1
1" 1/2	40	10	98	217	148	21	172	G1/4"	155.5	2870	LKDFMSA112E1	LKDFMSA112F1
2"	50	10	122	266	179	26	211	G1/4"	210	5149	LKDFMSA200E1	LKDFMSA200F1

DIMENSIONS

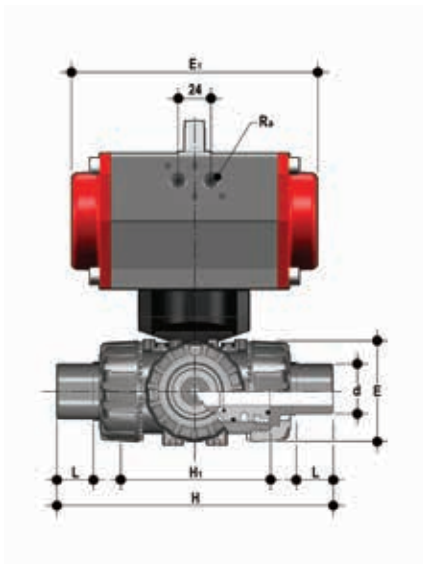
TKD/CP DN 10÷50 PP-H



LKDDM/CP DA

3 way DUAL BLOCK® ball valve with male ends for socket welding with pneumatic actuator, Double-Acting function. "L" ball

d	DN	PN	E	H	H ₁	L	R _o	E ₁	g	EPDM Code	FKM Code
20	15	10	54	140	80	16	G1/8"	138	1828	LKDDMDA020E1	LKDDMDA020F1
25	20	10	65	175	100	18	G1/8"	155.5	1986	LKDDMDA025E1	LKDDMDA025F1
32	25	10	73	188	110	20	G1/8"	155.5	2174	LKDDMDA032E1	LKDDMDA032F1
40	32	10	86	220	131	22	G1/4"	155.5	2458	LKDDMDA040E1	LKDDMDA040F1
50	40	10	98	251	148	23	G1/4"	155.5	2670	LKDDMDA050E1	LKDDMDA050F1
63	50	10	122	294	179	29	G1/4"	155.5	4679	LKDDMDA063E1	LKDDMDA063F1



LKDDM/CP SA

3 way DUAL BLOCK® ball valve with male ends for socket welding with pneumatic actuator, Single-acting function. "L" ball

d	DN	PN	E	H	H ₁	L	R _o	E ₁	g	EPDM Code	FKM Code
20	15	10	54	140	80	16	G1/8"	138	2028	LKDDMSA020E1	LKDDMSA020F1
25	20	10	65	175	100	18	G1/8"	155.5	2186	LKDDMSA025E1	LKDDMSA025F1
32	25	10	73	188	110	20	G1/8"	155.5	2374	LKDDMSA032E1	LKDDMSA032F1
40	32	10	86	220	131	22	G1/4"	155.5	2658	LKDDMSA040E1	LKDDMSA040F1
50	40	10	98	251	148	23	G1/4"	155.5	2870	LKDDMSA050E1	LKDDMSA050F1
63	50	10	122	294	179	29	G1/4"	210	5149	LKDDMSA063E1	LKDDMSA063F1

FASTENING AND SUPPORTING

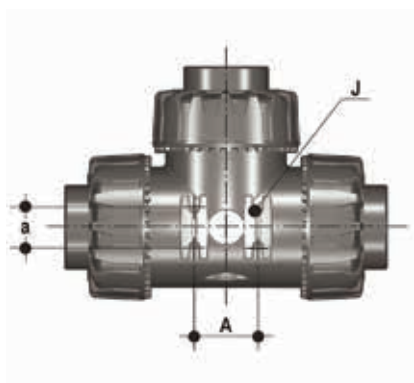


All valves, whether manual or actuated, must be adequately supported in many applications.

The TKD valve series is therefore provided with an integrated bracket that permits direct anchoring of the valve body without the need of other components.

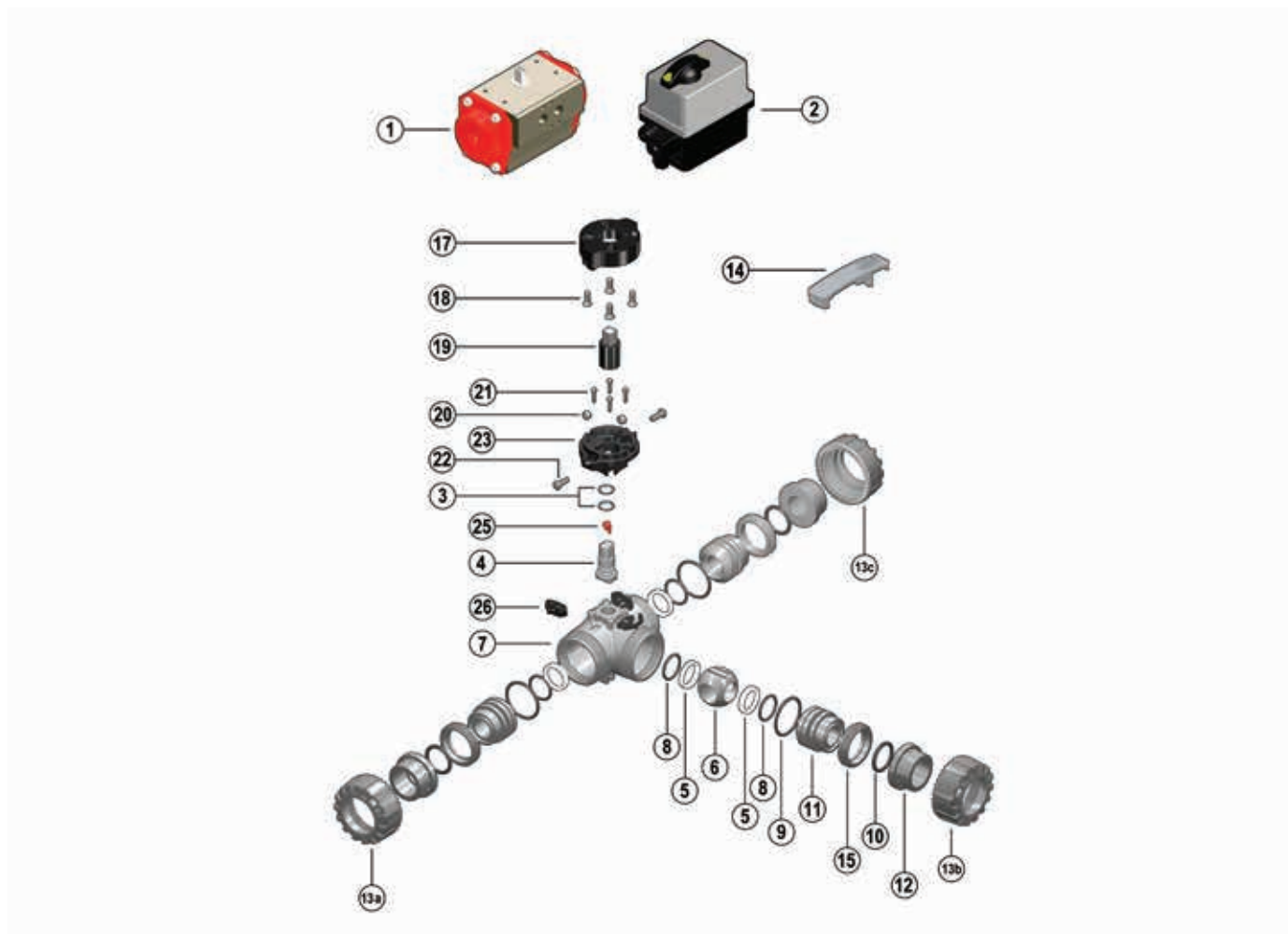
Using standard threaded nuts (not included) made of stainless steel, you can anchor the valve on 4 fastening points.

d	DN	a	A	J
16	10	20	31	M5
20	15	20	31	M5
25	20	20	31	M5
32	25	20	31	M5
40	32	30	50	M6
50	40	30	50	M6
63	50	30	50	M6



COMPONENTS

EXPLODED VIEW



- | | | |
|--|--|---|
| 1 Pneumatic actuator (Finished aluminium - 1) | 10 Socket seal O-Ring (EPDM-FKM - 3)* | 18 Screw (STAINLESS steel - 4) |
| 2 Electric actuator (PA6-Nylon - 1) | 11 Ball seat carrier (PVC-U / PVC-C / PP-H - 3) | 19 Connection module (PP-GR - 1) |
| 3 Stem seal (EPDM-FKM - 2)* | 12 End connector (PVC-U / PVC-C / PP-H - 3)* | 20 Nut (stainless steel - 2) |
| 4 Stem (PVC-U / PVC-C / PP-H - 1) | 13 Union nut (PVC-U / PVC-C / PP-H - 3) | 21 Screw (STAINLESS steel - 4) |
| 5 Ball seal (PTFE - 4)* | 14 Handle insert (PVC-U - 1) | 22 Screw (STAINLESS steel - 2) |
| 6 Ball (PVC-U / PVC-C / PP-H - 1) | 15 Threaded ring (PVC-U / PVC-C / PP-H - 3) | 23 Lower plate (PP-GR - 1) |
| 7 Body (PVC-U / PVC-C / PP-H - 1) | 17 Upper plate (PP-GR - 1) | 25 Position indicator (POM - 1) |
| 8 Ball seal O-Rings (EPDM-FKM - 4)* | | 26 DUAL BLOCK® (POM - 3) |
| 9 Radial seal O-Ring (EPDM, FKM - 3) | | |

* Spare parts

The material the component is made of and the quantity supplied are shown in brackets

DISASSEMBLY

- 1) Isolate the valve from the line (release the pressure and empty the pipeline).
- 2) Disconnect the actuator from the compressed air supply and/or power mains.
- 3) Remove the two screws (22) and lift the actuator (1/2) with the plate (17).
- 4) Release the union nuts by pressing the lever on the DUAL BLOCK® (26) along the axis and separate it from the union nut (fig. 1). It is also possible to completely remove the locking device from the valve body.
- 5) Fully unscrew the union nuts (13) and extract the body sideways (6).
- 6) With the specifically supplied insert (14), place the two protrusions in the corresponding slots on the seal carriage (11), turning counter-clockwise to extract it (fig. 2).
- 7) Extract the ball (6) from the central port b being careful not to damage the seat surface.
- 8) Extract the connection module (19) by pulling up.
- 9) Press the stem (4) inwards until it exits the body.
- 10) Remove the O-Ring (3, 8, 9, 10) and PTFE ball seats (5) extracting them from their grooves, as illustrated in the exploded view.

ASSEMBLY

- 1) All the O-rings (3, 8, 9, 10) must be inserted in their grooves as shown in the exploded view.
- 2) Insert the stem (4) from inside the body making sure the optical position indicator (25) on the top of the stem matches the ball output position.
- 3) Place the PTFE ball seats (5) in the housings in the body (7) and in the ball seat carrier (11).
- 4) Insert the ball (6) from the central port b, being careful that the three bores match the three outlets (for L-port ball, the two bores must match the a and b outlets).
- 5) Insert the three carriages (11) in the body and turn clockwise using the insert (14) to limit stop following the sequence in fig. 3 (L ball) and fig. 4 (T ball).
- 6) If previously removed, reassemble the DUAL BLOCK® system (26) on the valve body.
- 7) Insert the valve between the end connectors (12) and tighten the union nuts (13) making sure that the socket seal O-rings (10) do not exit their seats.
- 8) Insert the connection module (19) on the stem (4).
- 9) Reassemble the actuator (1/2) with plate (17) on the valve making sure the ball position (6) and actuator stem are aligned.
- 10) Tighten the two screws (22) and reconnect the actuator to the pneumatic and/or power supplies.



All operations on equipment under pressure or containing compressed springs must be carried out under safe conditions for the operator.

Note: during mounting operations, it is advisable to lubricate the rubber seals. Mineral oils are not recommended for this task as they react aggressively with EPDM rubber.

The photos refer to the manual version and are purely exemplary.

Fig. 1



Fig. 2



Fig. 3

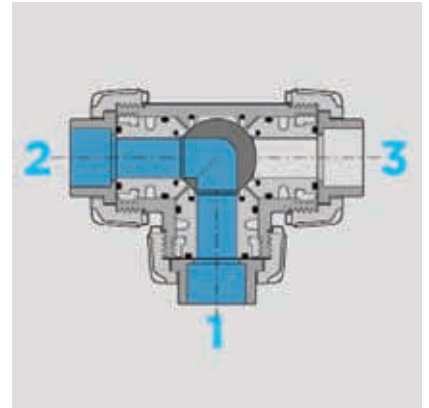
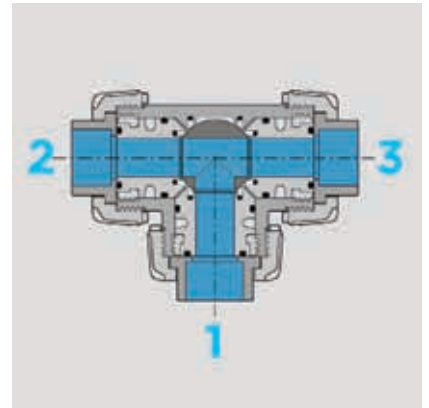


Fig. 4



INSTALLATION

Before proceeding with installation, please follow these instructions carefully:

- 1) Check that the pipes to be connected to the valve are aligned in order to avoid mechanical stress on the threaded joints.
- 2) Check that the DUAL BLOCK® union nut locking device (26) is installed on the valve body.
- 3) To release the union nuts (13), axially press the release lever to separate the lock and then unscrew it in the counter-clockwise direction.
- 4) Unscrew the union nuts (13) and insert them on the pipe segments.
- 5) Solvent weld or screw the end connectors (12) onto the pipe ends.
- 6) Position the valve body between the end connectors and fully tighten the union nuts (13) manually by rotating clockwise without using wrenches or other tools that could damage the union nut surface.
- 7) Lock the union nuts by returning the DUAL BLOCK® to its housing, pressing on it until the hinges lock on the nuts.
- 8) If necessary, support the pipework with FIP pipe clips or by means of the carrier built into the valve itself (see paragraph "fastening and supporting").

Seals can be adjusted using the extractable insert on the handle (fig. 2). After positioning the ball as in figure 3-4, using this insert as a tool you can adjust the seals by screwing in the carriers following the indicated sequence (fig. 3-4).

The seals can be adjusted later with the valve installed on the pipe by simply tightening the union nuts.

This "micro adjustment", only possible with FIP valves thanks to the patented "Seat stop system", allows the seal to be recovered in the event of seal wear and where PTFE ball seats are worn due to a high number of manoeuvres.

WARNINGS

- If volatile liquid such as Hydrogen Peroxide (H₂O₂) or Sodium Hypochlorite (NaClO) is used, for safety reasons we recommend you contact the service centre. These liquids, upon vaporising, could create hazardous over pressures in the area between the body and ball.

- Always avoid sudden closing manoeuvres that can generate water hammer. For this reason, we recommend you equip pneumatic actuators with air speed reducers.