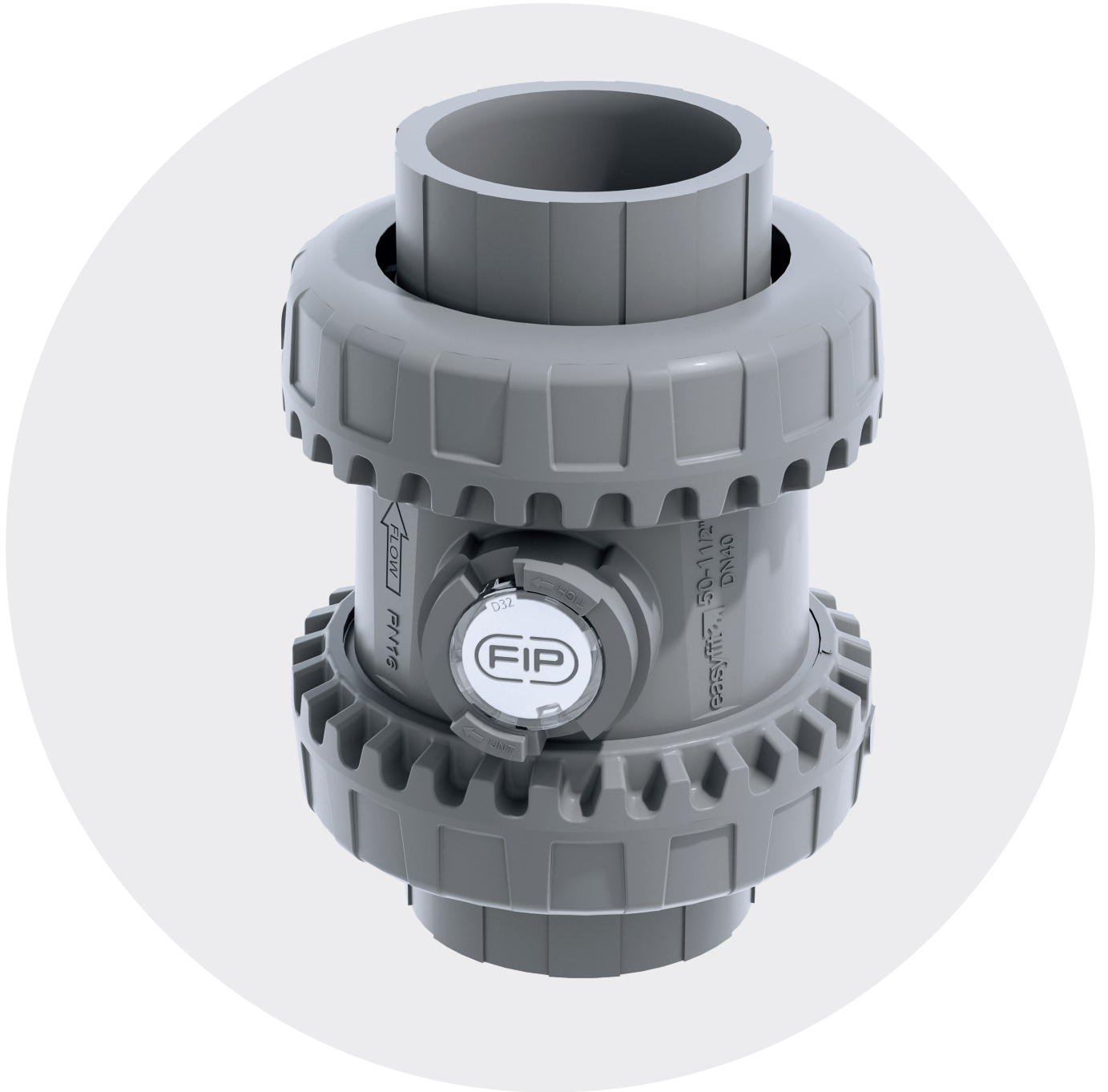


SSE DN 10÷50



EASYFIT TRUE UNION BALL CHECK VALVE



SSE DN 10÷50

The SSE Easyfit check valve with spring loaded shutter developed with Giugiaro Design stands out for the innovative installation method that guarantees reliable service over time. This valve is also equipped with a customising Labelling System.

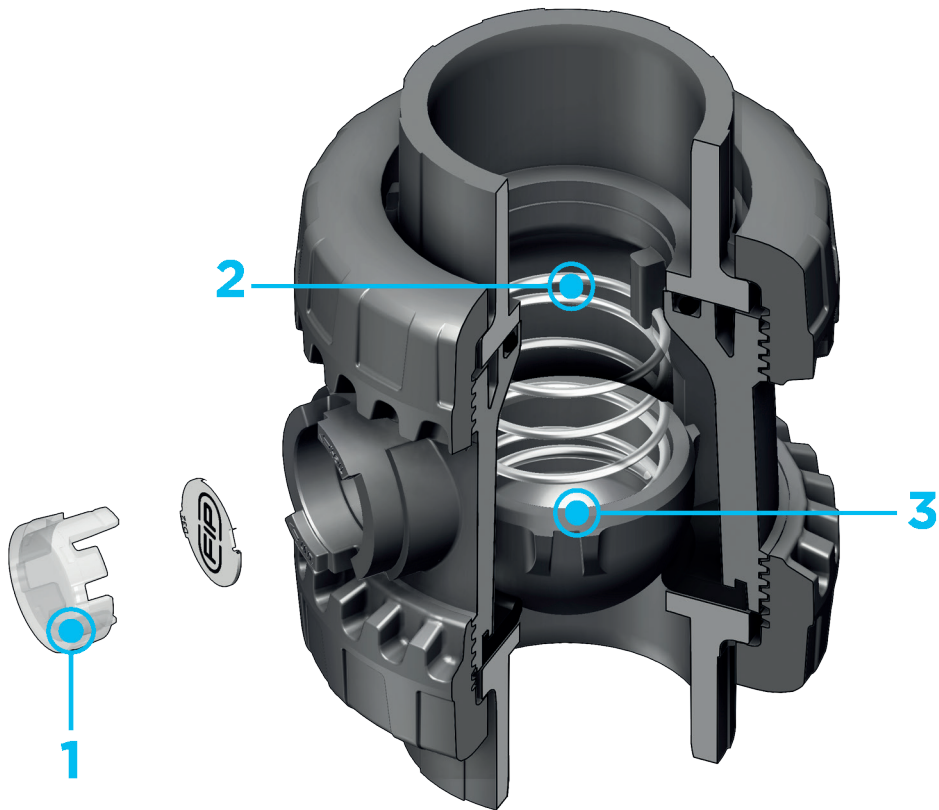


EASYFIT TRUE UNION BALL CHECK VALVE

- Connection system for solvent weld and threaded joints
- Valve material compatibility (**PVC-C**) with **water conveyance, drinking water and other food substances according to** current regulations
- **PN16 True Union valve body** made for PVC-C injection moulding and European Directive 2014/68/EU (PED) compliant for pressurised equipment. ISO 9393 compliant test requirements
- **Short face to face dimension** according to international regulation ISO 7508 series III "short" and fully interchangeable with VXE DN 10÷50 ball valve models
- Union nuts with rack for tightening adjustment via Easyfit handle or via Easy-torque adjustment kit (available as accessories)
- Can be **installed** in either a **vertical** or **horizontal** position

Technical specifications

Construction	Easyfit True Union spring check valve
Size range	DN 10 ÷ 50
Nominal pressure	PN 16 with water at 20° C
Temperature range	0 °C ÷ 100 °C
Coupling standards	Solvent welding: EN ISO 15493, ASTM F 439. Can be coupled to pipes according to EN ISO 15493, ASTM F 441 Thread: ISO 228-1, EN 10226-1/2, ASTM F 437
Reference standards	Construction criteria: EN ISO 16137, EN ISO 15493 Test methods and requirements: ISO 9393 Installation criteria: DVS 2204, DVS 2221, UNI 11242
Valve material	PVC-C
Seal material	EPDM, FKM
Spring material (SSE)	Available in STAINLESS steel 316, Hastelloy C276, A316 PTFE encapsulated (DN 32, DN 40 and DN 50 only)

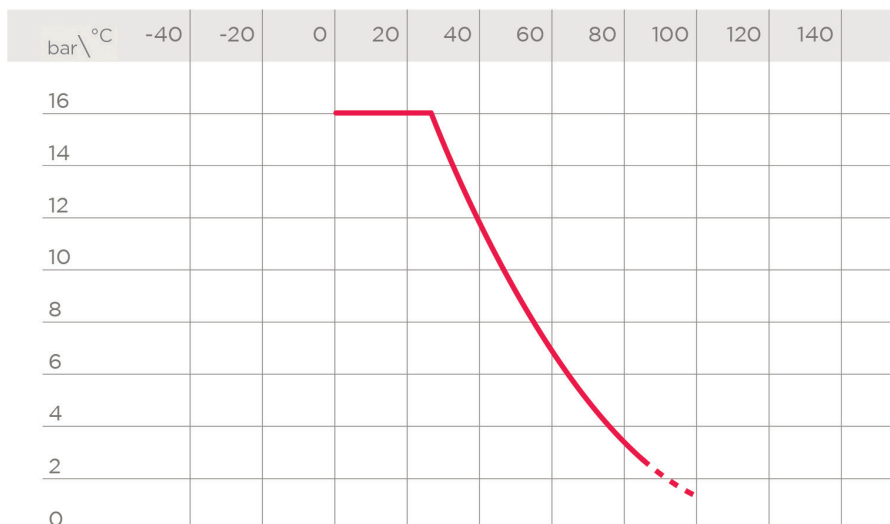


- 1 Customisable Labelling System: built-in LCE module** on the valve body made up of transparent protection plug and customisable tag holder using the LSE set (available as accessory). The customisation potential **lets you identify the valve on the system**
- 2** Ideal for horizontal installations: **perfect seal even with low back pressure. Silent** and durable even with strong vibrations and pulsating fluid according to specific needs.
- 3** PVC-C shutter and springs available made of STAINLESS steel 316, Hastelloy C276, A316 PTFE encapsulated: maximum reliability in a wide field of applications from salt water to aggressive acids

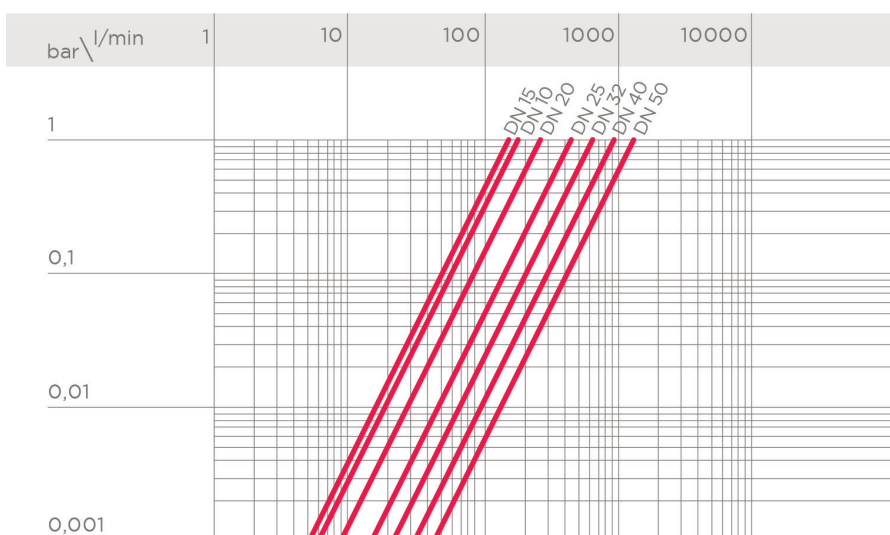
TECHNICAL DATA

PRESSURE VARIATION ACCORDING TO TEMPERATURE

For water and harmless fluids to which the material is classified as CHEMICALLY RESISTANT. In other cases, a reduction of the nominal PN pressure is required (25 years with safety factor). Note: When using PVC-C at working temperatures higher than 90°, it is advisable to first contact the service centre.



PRESSURE DROP GRAPH



K_v100 FLOW COEFFICIENT

The K_v100 flow coefficient is the Q flow rate of litres per minute of water at a temperature of 20°C that will generate Δp= 1 bar pressure drop at a certain valve position. The Kv100 values shown in the table are calculated with the valve completely open.

DN	10	15	20	25	32	40	50
Kv100 l/min	172	152	258	433	643	928	1343

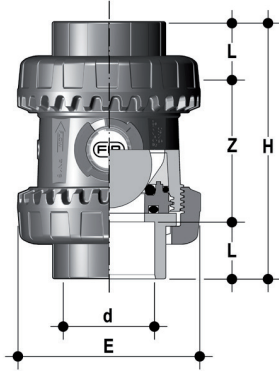
MINIMUM VALVE SEALING PRESSURE

The PVC-U SSE valve can only be used with liquids with specific weight under 1.37g/cm³.

DN	10	15	20	25	32	40	50
SSE (bar)	0,08	0,08	0,08	0,08	0,08	0,08	0,08

The information in this leaflet is provided in good faith. No liability will be accepted concerning technical data that is not directly covered by recognised international standards. FIP reserves the right to carry out any modification. Products must be installed and maintained by qualified personnel.

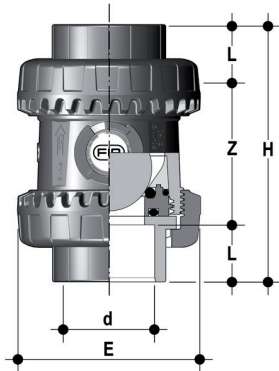
DIMENSIONS



SXEIC

Easyfit ball check valve with female ends for solvent welding, metric series

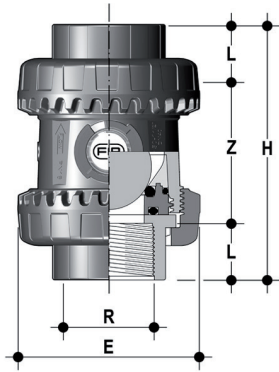
d	DN	PN	E	H	L	Z	g	EPDM code	FKM code
16	10	16	54	82	14	54	145	SXEIC016E	SXEIC016F
20	15	16	54	82	16	50	148	SXEIC020E	SXEIC020F
25	20	16	63	91	19	53	190	SXEIC025E	SXEIC025F
32	25	16	72	103	22	59	300	SXEIC032E	SXEIC032F
40	32	16	85	120	26	68	460	SXEIC040E	SXEIC040F
50	40	16	100	139	31	77	675	SXEIC050E	SXEIC050F
63	50	16	118	174	38	98	1080	SXEIC063E	SXEIC063F



SXEAC

Easyfit ball check valve with female ends, ASTM series

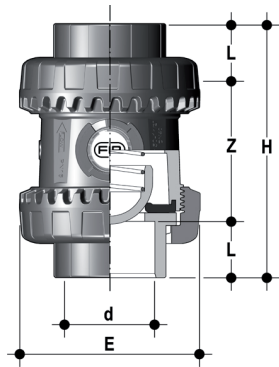
d	DN	PN	E	H	L	Z	g	EPDM code	FKM code
1/2"	15	16	54	96	22,5	51	148	SXEAC012E	SXEAC012F
3/4"	20	16	63	105	25,5	54	190	SXEAC034E	SXEAC034F
1"	25	16	72	117	28,7	59,5	300	SXEAC100E	SXEAC100F
1 1/4"	32	16	85	136	32	72	460	SXEAC114E	SXEAC114F
1 1/2"	40	16	100	147	35	77	675	SXEAC112E	SXEAC112F
2"	50	16	118	174	38,2	97,6	1080	SXEAC200E	SXEAC200F



SXENC

Easyfit ball check valve with female ends, NPT thread

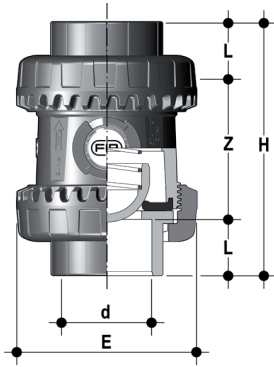
R	DN	PN	E	H	L	Z	g	EPDM code	FKM code
1/2"	15	16	54	90	17,8	54,4	148	SXENC012E	SXENC012F
3/4"	20	16	63	93	18	57	190	SXENC034E	SXENC034F
1"	25	16	72	110	22,6	64,8	300	SXENC100E	SXENC100F
1 1/4"	32	16	85	127	25,1	76,8	460	SXENC114E	SXENC114F
1 1/2"	40	16	100	131	24,7	81,6	675	SXENC112E	SXENC112F
2"	50	16	118	161	29,6	101,8	1080	SXENC200E	SXENC200F



SSEIC

True Union Spring Check Valve Easyfit with metric plain socket ends for solvent welding

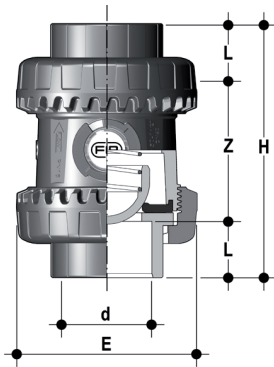
d	DN	PN	E	H	L	Z	g	EPDM code	FKM code
16	10	16	54	82	14	54	157	SSEIC016E	SSEIC016F
20	15	16	54	82	16	50	160	SSEIC020E	SSEIC020F
25	20	16	63	91	19	53	198	SSEIC025E	SSEIC025F
32	25	16	72	103	22	59	315	SSEIC032E	SSEIC032F
40	32	16	85	120	26	68	481	SSEIC040E	SSEIC040F
50	40	16	100	139	31	77	688	SSEIC050E	SSEIC050F
63	50	16	118	174	38	98	1090	SSEIC063E	SSEIC063F
16	10	16	54	82	14	54	157	SSEIC016E	SSEIC016F
20	15	16	54	82	16	50	160	SSEIC020E	SSEIC020F
25	20	16	63	91	19	53	198	SSEIC025E	SSEIC025F
32	25	16	72	103	22	59	315	SSEIC032E	SSEIC032F
40	32	16	85	120	26	68	481	SSEIC040E	SSEIC040F
50	40	16	100	139	31	77	688	SSEIC050E	SSEIC050F
63	50	16	118	174	38	98	1090	SSEIC063E	SSEIC063F



SSEIC - Hastelloy Spring

Easyfit spring check valve with female ends for solvent welding, metric series

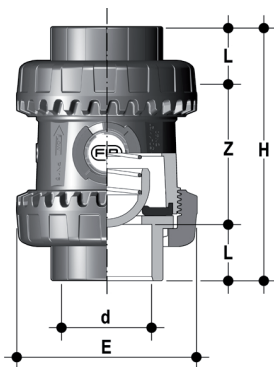
d	DN	PN	E	H	L	Z	g	EPDM code	FKM code
16	10	16	54	82	14	54	157	SSEIC016EH	SSEIC016FH
20	15	16	54	82	16	50	160	SSEIC020EH	SSEIC020FH
25	20	16	63	91	19	53	198	SSEIC025EH	SSEIC025FH
32	25	16	72	103	22	59	315	SSEIC032EH	SSEIC032FH



SSEIC - A316/PTFE encapsulated Spring

Easyfit spring check valve with female ends for solvent welding, metric series

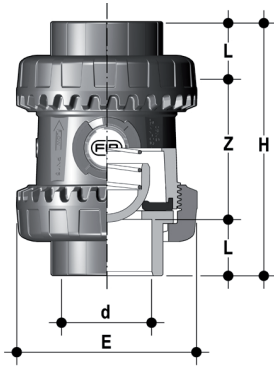
d	DN	PN	E	H	L	Z	g	EPDM code	FKM code
40	32	16	85	120	26	68	481	SSEIC040EOP	SSEIC040FOP
50	40	16	100	139	31	77	688	SSEIC050EOP	SSEIC050FOP
63	50	16	118	174	38	98	1090	SSEIC063EOP	SSEIC063FOP



SSEAC

Easyfit spring check valve with female ends for solvent welding, ASTM series

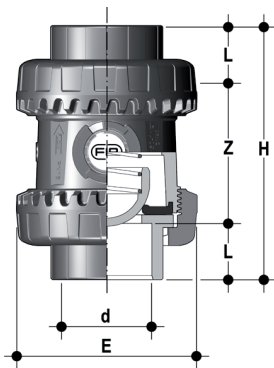
d	DN	PN	E	H	L	Z	g	EPDM code	FKM code
1/2"	15	16	54	96	22,5	51	158	SSEAC012E	SSEAC012F
3/4"	20	16	63	105	25,5	54	200	SSEAC034E	SSEAC034F
1"	25	16	72	117	28,7	59,5	315	SSEAC100E	SSEAC100F
1" 1/4	32	16	85	136	32	72	505	SSEAC114E	SSEAC114F
1" 1/2	40	16	100	147	35	77	686	SSEAC112E	SSEAC112F
2"	50	16	118	174	38,2	97,6	1119	SSEAC200E	SSEAC200F



SSEAC - Hastelloy Spring

Easyfit spring check valve with female ends for solvent welding, ASTM series

d	DN	PN	E	H	L	Z	g	EPDM code	FKM code
1/2"	15	16	54	96	22,5	51	158	SSEAC012EH	SSEAC012FH
3/4"	20	16	63	105	25,5	54	200	SSEAC034EH	SSEAC034FH
1"	25	16	72	117	28,7	59,5	315	SSEAC100EH	SSEAC100FH

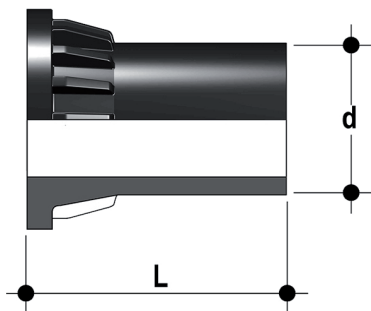


SSEAC - A316/PTFE encapsulated Spring

Easyfit spring check valve with female ends for solvent welding, ASTM series

d	DN	PN	E	H	L	Z	g	EPDM code	FKM code
1 1/4"	32	16	54	96	22,5	51	158	SSEAC114EOP	SSEAC114FOP
1 1/2"	40	16	63	105	25,5	54	200	SSEAC112EOP	SSEAC112FOP
2"	50	16	72	117	28,7	59,5	315	SSEAC200EOP	SSEAC200FOP

ACCESSORIES



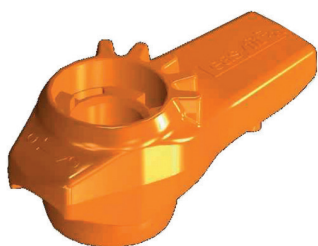
CVDE

Long spigot PE100 end connectors for joints with electrofusion fittings or for butt welding

d	DN	PN	L	SDR	Code
20	15	16	55	11	CVDE11020
25	20	16	70	11	CVDE11025
32	25	16	74	11	CVDE11032
40	32	16	78	11	CVDE11040
50	40	16	84	11	CVDE11050
63	50	16	91	11	CVDE11063

Easyfit handle

Easyfit multifunctional handle for union nut tightening SXE-SSE DN 10÷50



d	DN	Code
16 - 20	10 - 15	HAVXE020
25	20	HAVXE025
32	25	HAVXE032
40	32	HAVXE040
52	40	HAVXE050
63	50	HAVXE063

EASYTORQUE KIT

Kit for union nut tightening adjustment and ball seat carrier for Easyfit DN 10÷50 valves.



d	DN	Union nut tightening torque*	Seat carrier tightening torque*	Code
3/8"-1/2"	10-15	5 N m - 3,69 Lbf ft	3 N m - 2,21 Lbf ft	KET01
3/4"	20	5 N m - 3,69 Lbf ft	3 N m - 2,21 Lbf ft	KET01
1"	25	6 N m - 4,43 Lbf ft	4 N m - 2,95 Lbf ft	KET01
1" 1/4	32	7 N m - 5,16 Lbf ft	4 N m - 2,95 Lbf ft	KET01
1" 1/2	40	8 N m - 5,90 Lbf ft	5 N m - 3,69 Lbf ft	KET01
2"	50	10 N m - 7,38 Lbf ft	6 N m - 4,43 Lbf ft	KET01

*calculated in ideal installation conditions



LSE

Customisation and label printing set for Easyfit handle made up of precut adhesive sheets and software for guided label creation.

d	DN	SXE-SSE code
16	10	-
20	15	-
25	20	-
32	25	LSE020
40	32	LSE025
50	40	LSE032
63	50	LSE032

CUSTOMISATION

Fig. 1



Fig. 2



Fig. 3



SSE DN 10÷50 Easyfit valve is equipped with a customisable Labelling System. This system lets you create special labels to affix to the valve body. This makes it extremely easy to apply company logos, identification serial numbers or service indications such as, for example, the valve function in the system, the transported fluid, but also specific information for customer service, such as the customer name or installation date or location on the valves.

The specific LCE module is a standard supply and is made up of a rigid transparent water-resistant PVC plug and white tag holder made of the same material, one side of which bears the FIP logo (fig. 1).

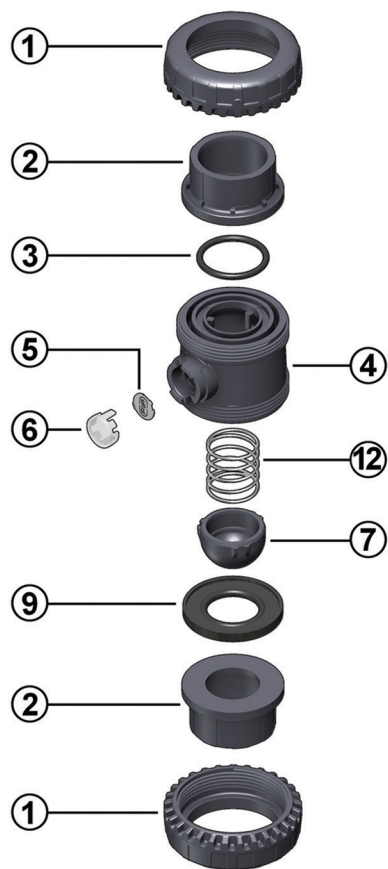
The holder, inserted in the plug, can be removed and, once overturned, used for customisation by applying labels printed with the software supplied with the LSE set.

Proceed as follows to apply the label on the valve:

- 1) Extract the transparent plug from the seat on the valve body (fig. 1).
- 2) Extract the tag holder from the transparent plug (fig. 2).
- 3) Apply the adhesive label on the tag holder to align the profiles matching the tab position.
- 4) Re-insert the tag holder in the transparent plug so that the label is protected from the elements.
- 5) Replace the transparent plug in its seat on the valve body.

COMPONENTS

EXPLODED VIEW



1 Union nut (PVC-C - 2)

2 End connector (PVC-C - 2)

3 Socket seal O-Ring (EPDM, FKM - 2)

4 Body (PVC-C - 1)

5 Tag holder (PVC - 1)

6 Transparent protection plug (PVC - 1)

7 Shutter (PVC-C - 1)

8 Gland packing ring (PVC-C - 1)

9 Shutter gasket (EPDM, FKM - 1)

10 Ball seat carrier (PVC-C - 1)

11 Radial seal O-Ring (EPDM,FKM - 1)

12 Spring (STAINLESS steel* - 1)

The component material and quantity supplied are indicated in the parentheses.

DISASSEMBLY

In the event of leaks or wear, before performing maintenance, cut-off fluid upstream from the valve and make sure it is de-pressurised (downstream drain if necessary).

- 1) Fully drain residual liquid that could be aggressive for the operator and, if possible, circulate water to internally clean the valve.
- 2) To easily unscrew the union nuts when dismantling, use the Easyfit multifunctional handle (fig. 4) or Easytorque kit (fig. 5-6).
- 3) Extract the ball seat O-ring (9).
- 4) Remove all internal components.

ASSEMBLY

- 1) Reconstruct the valve following the exploded view on the previous page.
- 2) Position the valve between the end connectors (2) and tighten the union nuts clockwise (1) using the Easyfit multifunctional handle (fig. 4) or Easytorque kit (fig. 5-6), being sure the socket seal O-ring (3) does not exit the seats.



Note: during assembly operations, it is advisable to lubricate the rubber seals. Mineral oils are not recommended for this task as they react aggressively with EPDM rubber.

Fig. 4

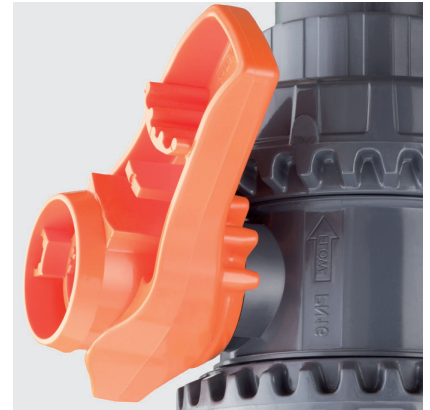


Fig. 5



Fig. 6



Fig. 7



INSTALLATION

SSE valve can be installed both vertically (upward flow) or horizontally. Before proceeding with installation, please follow these instructions carefully:

- 1) Check that the pipes to be connected to the valve are aligned in order to avoid mechanical stress on the threaded joints.
- 2) Unscrew the union nuts (1) from the body (4) and insert them in the pipe segments.
- 3) Solvent weld or screw the end connectors (2) onto the pipe segments.
- 4) Position the valve body between the end connectors (fig. 9).
- 5) Fit the union nuts on the valve body and manually tighten clockwise until they become hard to turn; do not use wrenches or other tools that can damage the union nut surfaces.
- 6) For easy union nut tightening in assembly, use the Easyfit multifunctional handle (supplied as an accessory).
- 7) Overturn the handle and insert it on the stem so the handle teeth (A) match the union nut teeth (B) (fig. 10)
- 8) Turn the handle counter-clockwise to fully tighten the union nut (fig. 10). The rotation directions to tighten (TIGHTEN) and loosen (UNTIGHTEN) the union nuts are indicated on the handle (fig. 11). Generally, if pipes are not offset, a single turn is sufficient for correct tightening.
- 9) Repeat point 7 for the other union nut. Note: A small force applied on the handle develops a torque much higher than manual tightening. You can also, using the Easytorque kit (fig. 5-6), supplied as an accessory, tighten union nuts using a torque wrench to quantify the force and thus monitor the stress applied to the thermoplastic threads according to the installation indications in the instructions enclosed with the kit.
- 10) If necessary, support pipes with FIP pipe clip model ZIKM and DSM distance plates.

WARNINGS

- Do not use compressed air or other gases to test thermoplastic lines.
- Always avoid sudden closing manoeuvres and protect the valve against accidental manoeuvres
- Leave a straight section of pipe of length equal to 5 times the nominal diameter before and after the valve

Fig. 8



Fig. 9



Fig. 10



Fig. 11

