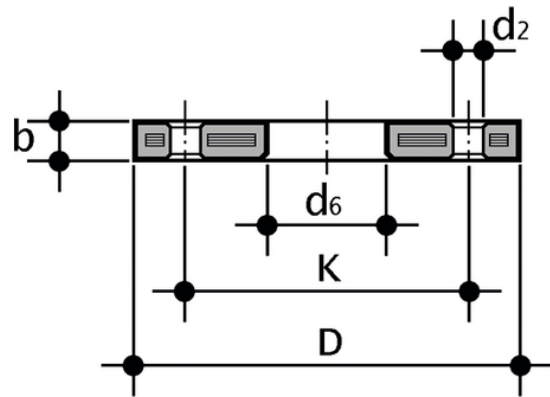


ODB - Flangia serie ISO-DIN

Flangia libera in acciaio rivestito di PP/FRP EN/ISO/DIN per collare d'appoggio QRNM. Foratura: PN 10/16.



| Codice | d | DN | *PMA (bar) | b | d ₂ | d ₆ | D | K | M | n | **Nm | g |
|--------|------|-----|------------|----|----------------|----------------|-----|-----|-----|----|------|-------|
| ODB020 | 20 | 15 | 16 | 12 | 14 | 28 | 95 | 65 | M12 | 4 | 15 | 232 |
| ODB025 | 25 | 20 | 16 | 14 | 14 | 34 | 105 | 75 | M12 | 4 | 15 | 288 |
| ODB032 | 32 | 25 | 16 | 14 | 14 | 42 | 115 | 85 | M12 | 4 | 15 | 544 |
| ODB040 | 40 | 32 | 16 | 16 | 18 | 51 | 140 | 100 | M16 | 4 | 20 | 836 |
| ODB050 | 50 | 40 | 16 | 16 | 18 | 62 | 150 | 110 | M16 | 4 | 30 | 902 |
| ODB063 | 63 | 50 | 16 | 19 | 18 | 78 | 165 | 125 | M16 | 4 | 35 | 1074 |
| ODB075 | 75 | 65 | 16 | 19 | 18 | 92 | 185 | 145 | M16 | 4 | 40 | 1368 |
| ODB090 | 90 | 80 | 16 | 21 | 18 | 108 | 200 | 160 | M16 | 8 | 40 | 1516 |
| ODB110 | 110 | 100 | 16 | 22 | 18 | 128 | 220 | 180 | M16 | 8 | 40 | 1960 |
| ODB125 | 125 | 100 | 16 | 22 | 18 | 135 | 220 | 180 | M16 | 8 | 40 | 1938 |
| ODB140 | 140 | 125 | 16 | 26 | 18 | 158 | 250 | 210 | M16 | 8 | 50 | 2866 |
| ODB160 | 160 | 150 | 16 | 27 | 22 | 178 | 285 | 240 | M20 | 8 | 60 | 3576 |
| ODB180 | 180 | 150 | 16 | 27 | 22 | 191 | 285 | 240 | M20 | 8 | 60 | 3298 |
| ODB200 | 200 | 200 | 16 | 28 | 22 | 235 | 340 | 295 | M20 | 8 | 70 | 5318 |
| ODB225 | 225 | 200 | 16 | 28 | 22 | 238 | 340 | 295 | M20 | 8 | 70 | 5500 |
| ODB250 | 250 | 250 | 16 | 31 | 22 | 288 | 406 | 350 | M20 | 12 | 80 | 6962 |
| ODB280 | 280 | 250 | 16 | 31 | 22 | 294 | 406 | 350 | M20 | 12 | 80 | 7092 |
| ODB315 | 315 | 300 | 16 | 34 | 22 | 338 | 460 | 400 | M20 | 12 | 100 | 9428 |
| ODB355 | *355 | 350 | 16 | 39 | 23 | 377 | 520 | 460 | M20 | 16 | 120 | 19285 |
| ODB400 | *400 | 400 | 16 | 43 | 27 | 430 | 580 | 515 | M24 | 16 | 140 | 21370 |



ODB - Flangia serie ISO-DIN

| Codice | d | DN | *PMA (bar) | b | d ₂ | d ₆ | D | K | M | n | **Nm | g |
|--------|------|-----|------------|----|----------------|----------------|-----|-----|-----|----|------|-------|
| ODB450 | *450 | 450 | 10 | 44 | 26 | 516 | 670 | 620 | M24 | 20 | 150 | 30000 |
| ODB500 | *500 | 500 | 10 | 45 | 26 | 533 | 678 | 620 | M24 | 20 | 150 | 34000 |
| ODB560 | *560 | 600 | 10 | 50 | 30 | 618 | 790 | 725 | M27 | 20 | 170 | 49000 |
| ODB630 | *630 | 600 | 10 | 50 | 30 | 645 | 790 | 725 | M27 | 20 | 170 | 40000 |