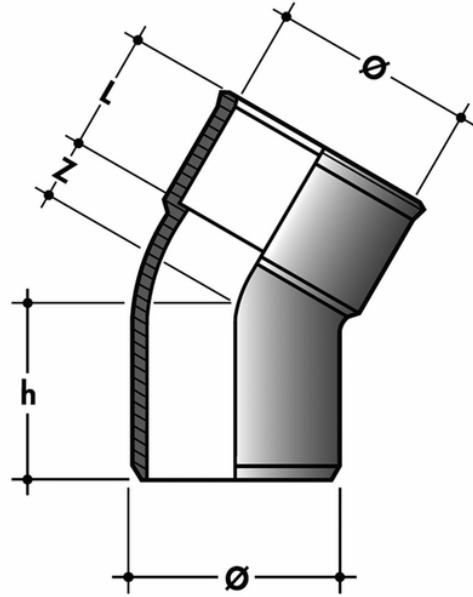


Curva 20° M/F



| Codice | Ø (mm) |
|---------|--------|
| CF200NI | 32 |
| CH200NI | 40 |
| CJ200NI | 50 |
| CR200NI | 80 |
| CT200NI | 100 |
| CV200NI | 110 |