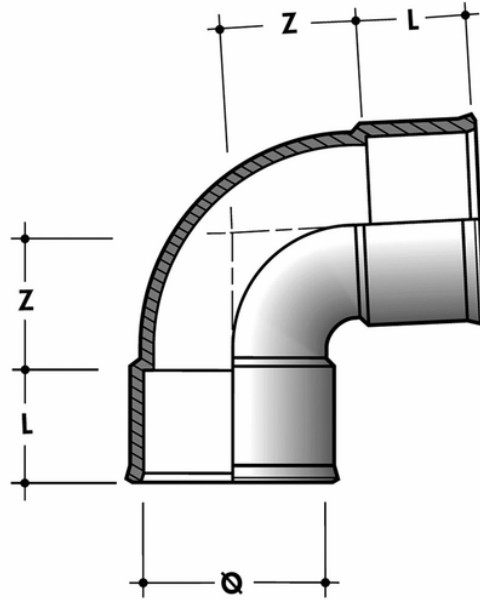


Curva 87°30' F/F



Codice	Ø (mm)
CF880NI	32
CH880NI	40
CJ880NI	50
CL880NI	63
CP880NI	75
CR880NI	80
CT880NI	100
CX880NI	125
CZ880NI	160
CB880NI	200