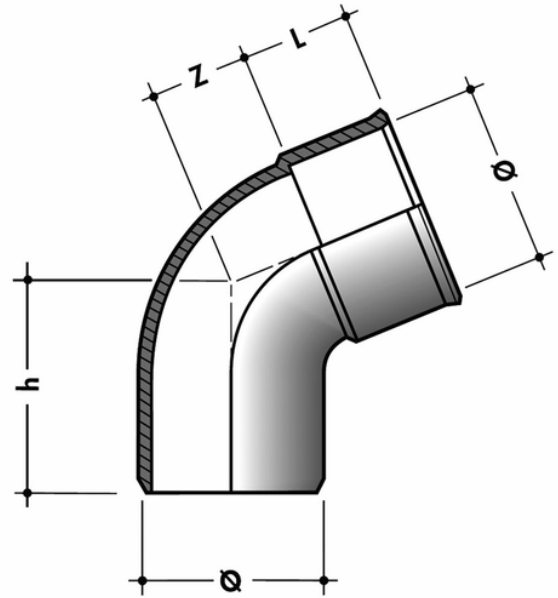


Curva 67°30' M/F



Codice	Ø (mm)
CF600NI	32
CH600NI	40
CJ600NI	50
CP600NI	75
CT600NI	100
CV600NI	110
CX600NI	125