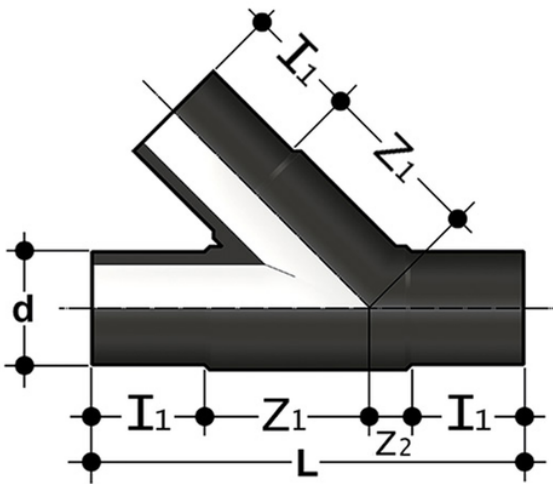


T45DE SDR11 - 45° Tee

45° Tee, long spigot for butt welding SDR 11 - S5.



Codice	d	L	h ₁	Z ₁	Z ₂	s	g
T45DE11063	*63	259	69	93	28	5,8	470
T45DE11075	*75	299	77	113	32	6,8	780
T45DE11090	*90	351	82	148	40	8,2	1385
T45DE11110	*110	382	84	169	47	10,0	2190
T45DE11125	*125	431	92	207	48	11,4	3280
T45DE11160	*160	526	100	262	66	14,6	6520
T45DE11180	*180	562	107	278	72	16,4	8600
T45DE11200	*200	605	114	302	77	18,2	11240
T45DE11225	*225	673	122	352	84	20,5	16060



T45DE SDR11 - 45° Tee

- Size range: d 12 ÷ d 800 (mm)
- Nominal pressure: SDR 17 (PN10) with water at 20 °C, SDR 11 (PN16) with water at 20 °C
- Temperature range: -40 °C ÷ 60 °C
- Coupling standards - Reference standards:
 - Welding: EN ISO 15494. Can be coupled to pipes according to EN ISO 15494
 - Flanging system: ISO 7005-1, EN 1092-1, EN ISO 15494, ANSI B16.5 cl.150
 - Construction criteria: UNI EN ISO 15494
 - Test methods and requirements: UNI EN ISO 15494
 - Installation criteria: DVS 2202-1, DVS 2207-1, UNI EN 12201- 3, UNI 10520, ISO 21307, UNI 10521, UNI EN 1555-3, ISO 4427- 3, ISO 4437-3
- Fitting material: PE-HD
- Seal material: EPDM, FKM