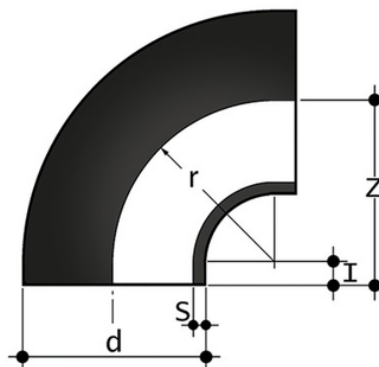


GBE/GKE SDR17 - Curva 90°

90° bend, short spigot for butt welding SDR 17 - S 8.



Codice	d	Z	l	r	S	g
GKE17050	50	62	23	36	3,0	52
GKE17075	63	77	21	65	3,8	107
GKE17075	75	85	21	75	4,5	146
GKE17090	90	100	22	90	5,4	248
GKE17110	110	120	25	110	6,6	437
GBE17125	125	140	15	125	7,4	681
GBE17140	*225	236	21	225	6,9	1944
GBE17160	*250	255	20	250	7,7	2439
GBE17180	180	195	15	180	10,7	1972
GBE17200	200	215	15	200	11,9	2552
GBE17225	225	245	20	225	13,4	3565
GBE17250	250	275	25	250	14,8	5100
GBE17280	280	310	30	280	16,6	7005
GBE17315	315	350	35	315	18,7	10236
GBE17450	*450	510	60	450	26,7	42752
GBE17400	*400	432	41	400	23,7	20201
GBE17355	*355	380	38	355	21,1	13350
GBE17500	*500	560	60	500	29,7	53950

GBE/GKE SDR17 – Curva 90°

- Size range: d 12 ÷ d 800 (mm)
- Nominal pressure: SDR 17 (PN10) with water at 20 °C, SDR 11 (PN16) with water at 20 °C
- Temperature range: -40 °C ÷ 60 °C
- Coupling standards – Reference standards:
 - Welding: EN ISO 15494. Can be coupled to pipes according to EN ISO 15494
 - Flanging system: ISO 7005-1, EN 1092-1, EN ISO 15494, ANSI B16.5 cl.150
 - Construction criteria: UNI EN ISO 15494
 - Test methods and requirements: UNI EN ISO 15494
 - Installation criteria: DVS 2202-1, DVS 2207-1, UNI EN 12201- 3, UNI 10520, ISO 21307, UNI 10521, UNI EN 1555-3, ISO 4427- 3, ISO 4437-3
- Fitting material: PE-HD
- Seal material: EPDM, FKM