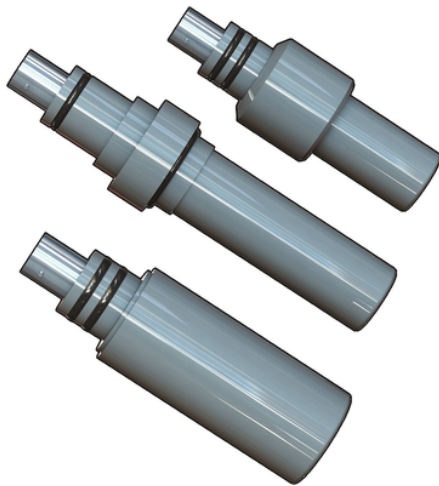


# PH6XX CD

C-PVC double junction Flat surface electrodes



Reference	Features	Operative Range	Cable*	Connection	Installation	Weight (gr.)	Features
PH650CD	-	-	CN 653 \$ CN653 TC1	Twist-lock (BNC)	MIFV20X05 \$ MIMC20X05	100	-
PH650CDDA	Signal amplified	Presence of stray currents	CN 653 \$ CN 653 TC1	Twist-lock (BNC)	MIFV20X05 MIMC20X05	200	-
PH650CDHF	-	Liquids with HF (max 2%)	CN 653 \$ CN 653 TC1	Twist-lock (BNC)	MIFV20X05 MIMC20X05	100	-
PH650CDLC	-	Liquids with low conductivity (10 [CS:Simbolo:μ]S/cm	CN 653 \$ CN 653 TC1	Twist-lock (BNC)	MIFV20X05 MIMC20X05	100	-
PH655CD	With pressurized filling gel	-	CN 653	Twist-lock (BNC)	WTF675 \$ WTF675 TC1	100	-
PH655CDHF	-	Liquids with HF (max 2%)	CN 653	Twist-lock (BNC)	WTF675 \$ WTF675 TC1	100	With pressurized filling gel
PH655CDLC	With pressurized filling gel	Liquids with low conductivity (10 [CS:Simbolo:μ]S/cm	CN 653	Twist-lock (BNC)	WTF675 \$ WTF675 TC1	100	-
PH660CD	-	-	CN 653	Twist-lock (BNC)	EG66P \$ MK660	100	-
PH660CDDA	Signal amplified	Presence of stray currents	CN 653	Twist-lock (BNC)	EG66P \$ MK660	200	-
PH660CDHF	-	Liquids with HF (max 2%)	CN 653	Twist-lock (BNC)	EG66P \$ MK660	100	-
PH660CDLC	-	Liquids with low conductivity (10 [CS:Simbolo:μ]S/cm	CN 653	Twist-lock (BNC)	EG66P \$ MK660	100	-



## PH6XX CD

### APPLICATIONS:

- Water & Wastewater treatment
- Pre-chlorination & de-chlorination
- Neutralization systems
- Water quality monitoring
- Ozone treatment
- Coolingtowers
- Boiler systems
- Bleach production
- Pulp bleaching
- Aquaculture
- Fruit and vegetables washing
- Textile Dye Process

### MAIN FEATURES:

- pH and ORP versions
- Flat electrodes
- Double junction technology
- Large gel reference volume
- High protection from process contamination
- Easy and quick installation system
- BNC connector
- In line, submersion or hot tap installation
- Low cost fittings
- HF option (pH) for liquids with HF (max. 2%) inside
- LC option (pH) on request for pure water (<100us >)