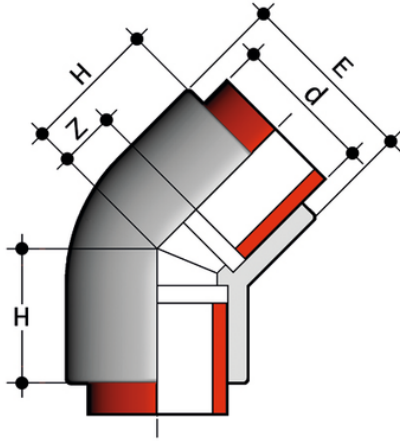


HIM - Elbow

45° elbow for socket welding, equal socket.



| Reference | d | DN | PN | E | H | Z | g |
|-----------|-----|-----|----|-----|----|------|-----|
| HIM020 | 20 | 15 | 10 | 28 | 21 | 7 | 12 |
| HIM025 | 25 | 20 | 10 | 34 | 25 | 9 | 19 |
| HIM032 | 32 | 25 | 10 | 42 | 29 | 12 | 33 |
| HIM040 | 40 | 32 | 10 | 52 | 36 | 15 | 57 |
| HIM050 | 50 | 40 | 10 | 63 | 43 | 19 | 105 |
| HIM063 | 63 | 50 | 10 | 79 | 51 | 24 | 182 |
| HIM075 | 75 | 65 | 10 | 92 | 53 | 20 | 200 |
| HIM090 | 90 | 80 | 10 | 113 | 61 | 23,5 | 335 |
| HIM110 | 110 | 100 | 10 | 135 | 71 | 28 | 610 |