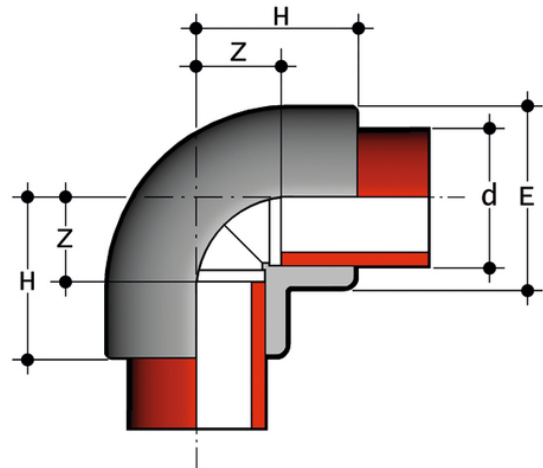


GIM - Elbow

90° elbow for socket welding, equal socket.



Reference	d	DN	PN	E	H	Z	g
GIM020	20	15	10	28	28	13	14
GIM025	25	20	10	34	32	16	23
GIM032	32	25	10	42	37	20	37
GIM040	40	32	10	52	43	22	64
GIM050	50	40	10	64	51	28	105
GIM063	63	50	10	79	61	34	180
GIM075	75	65	10	93	73	42	300
GIM090	90	80	10	111	85	49	455
GIM110	110	100	10	135	101	59	815