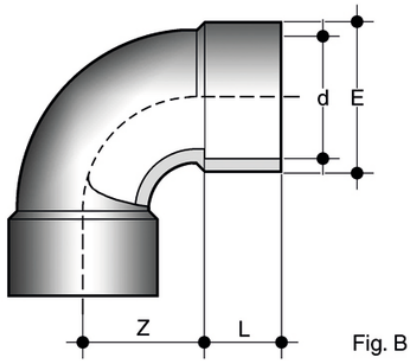


90° elbow with solvent weld sockets (fig. B).



Reference	d	PN	E	L	Z	g
GIC225	225	10	258	119	172	9270