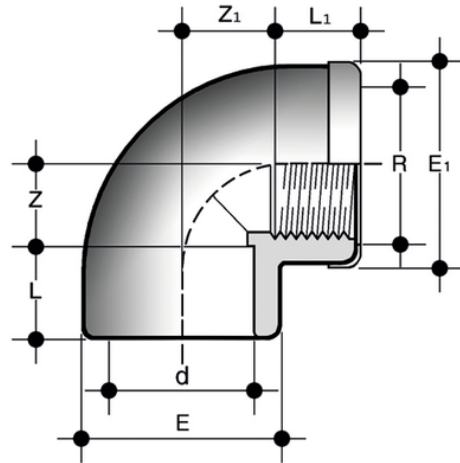


90° elbow with reinforced solvent weld socket d and BSP threaded female end R with STAINLESS steel reinforcing ring.



Reference	d x R	PN	E	E[5:1]	L	L ₁	Z	Z ₁	g
GIMC016038	16 x 3/8"	16	23,5	24,5	14	11,4	10	13	22
GIMC020012	20 x 1/2"	16	28,5	29,5	16	15	12	13	33
GIMC025034	25 x 3/4"	16	35	36	19	16,3	14	17	53
GIMC032100	32 x 1"	16	43	44	22	19,1	18	20,5	94
GIMC040114	40 x 1"1/4	16	50	51	26	21,4	22	27	104
GIMC050112	50 x 1"1/2	16	61	62	31	21,4	27	37	203
GIMC063200	63 x "2	16	76	77	38	25,7	33	46	380