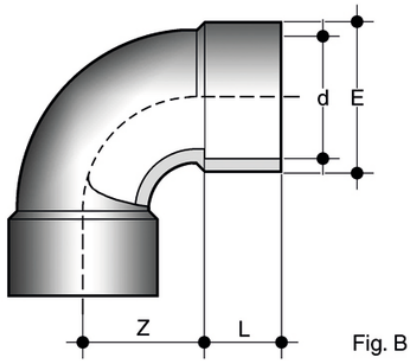


# GIV - Fig. B

90° elbow with solvent weld sockets (fig. B).



Reference	d	PN	E	L	Z	g
GIV250	250	10	287	131	188	12480
GIV280	280	10	325	147	210	17000
GIV315	315	10	359	164	236	23370