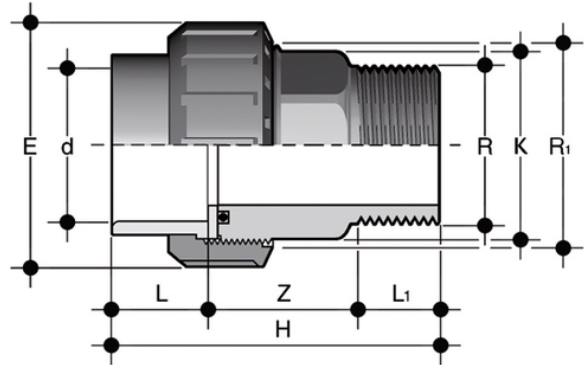


BIRV - Union

Union with fixed BSP threaded male end and O-Ring in EPDM.



Reference	d x R	R ₁	PN	E	H	K	L	L ₁	Z	g
BIRV050112E	50 x 1"1/2	2"1/4	16	79	98	53	31	21,4	45,6	200
BIRV050200E	50 x 2"	2"1/4	16	79	102	53	31	25,7	45,3	220
BIRV063200E	63 x 2"	2"3/4	16	98	116	67	38	25,7	52,3	380