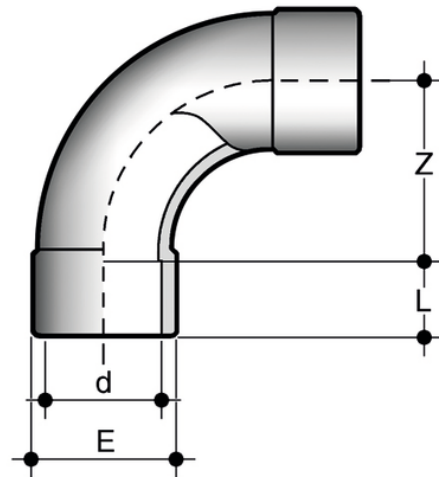


# SLV

90° long radius bend (R=2D) with solvent weld sockets.



Reference	d	PN	Class	E	L	Z	g
1RCU420000	1/2"	15	E	28	16	40	45
1RCU425000	3/4"	15	E	34	19	50	75
1RCU432000	1"	15	E	41	22	64	120
1RCU440000	1"1/4	15	E	51	26	80	205
1RCU450000	1"1/2	15	E	65	31	100	310
1RCU463000	2"	15	E	77	38	126	510
SIV075	2"1/2	15	E	94	44	150	1000