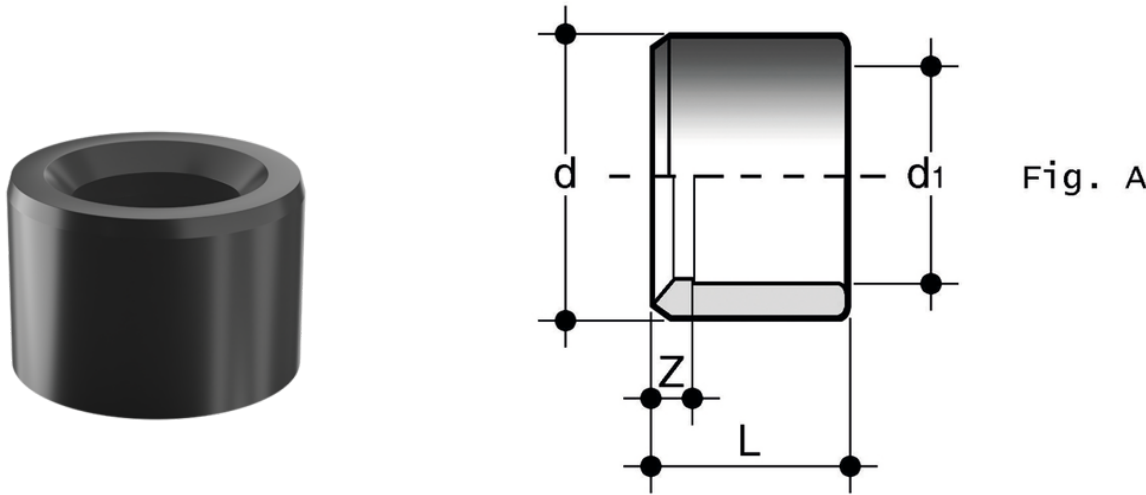


DLV Fig.A

Reducing bush with solvent weld spigot (d) and solvent weld socket (d1 reduced) (fig. A).



Reference	d x d1[5:1]	PN	Class	L	Z	g
DLV012038	1/2" x 3/8"	15	E	16,5	2	3
DLV300212	3" x 2 1/2"	15	E	50,5	7	125
DLV212200	2 1/2 x 2"	15	E	43,5	7,5	100
DLV112114	1 1/2 x 1 1/4"	15	E	31	4	20
DLV112100	1 1/2 x 1"	15	E	30	7,5	42
DLV114100	1 1/4 x 1"	15	E	27	4	19
DLV100034	1" x 3/4"	15	E	22,5	3	10
DLV100012	1" x 1/2"	15	E	22,5	6,5	18
DLV034012	3/4" x 1/2"	15	E	19,5	3	5,5
DLV400300	4" x 3"	15	E	63	12	331