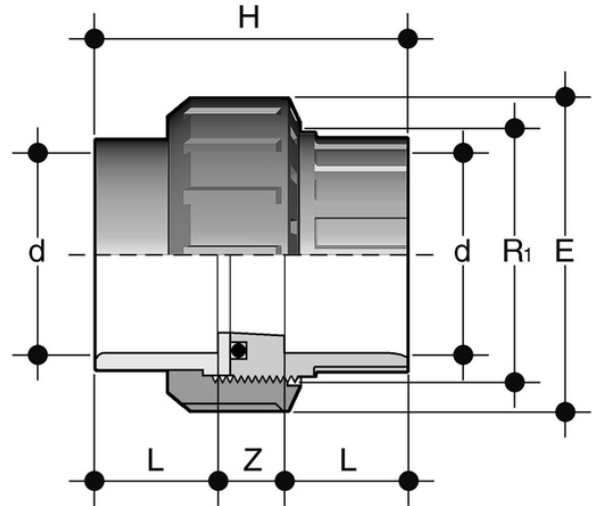


BLV - Union

Union with solvent weld sockets, O-Ring in EPDM. Fittings according to british standard.



Reference	d	PN	Class	R ₁	E	H	L	Z	g
BLV012E	1/2"	15	E	1"	40.5	45	16	13	39
BLV034E	3/4"	15	E	1"1/4	50	51	19	13	65
BLV100E	1"	15	E	1"1/2	57.5	57	22	13	94
BLV114E	1"1/4	15	E	2"	71.5	67	26	15	150
BLV112E	1"1/2	15	E	2"1/4	79	79	31	17	190
BLV200E	2"	15	E	2"3/4	98	98	38	21	400