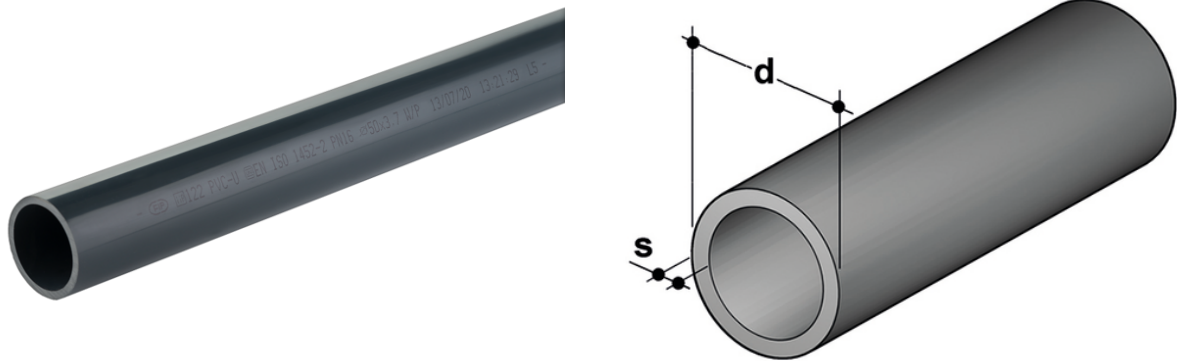


Pressure pipe PN10 SDR 21

PVC-U pressure pipe according to standards EN ISO 15493 and DIN 8061/8062, dark gray RAL 7011, standard length 5m.



Reference	d	S mm	Kg/m
PIPEV21032	32	1,6	0,246
PIPEV21040	40	1,9	0,360
PIPEV21050	50	2,4	0,567
PIPEV21063	63	3	0,878
PIPEV21075	75	3,6	1,258
PIPEV21090	90	4,3	1,798
PIPEV21110	110	5,3	2,670
PIPEV21125	125	6	3,410
PIPEV21140	140	6,7	4,412
PIPEV21160	160	7,7	5,780
PIPEV21180	180	8,6	7,462
PIPEV21200	200	9,6	8,990
PIPEV21225	225	10,8	11,356
PIPEV21250	250	11,9	13,892
PIPEV21280	280	13,4	17,529
PIPEV21315	315	15	22,020