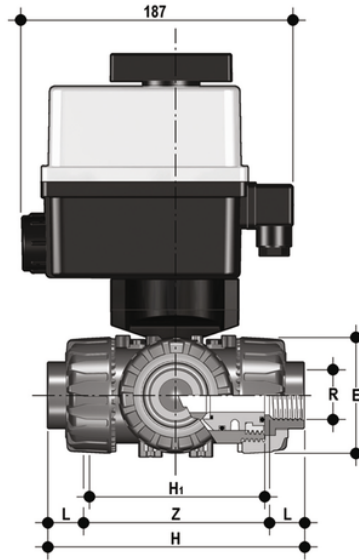


EPDM

3 way DUAL BLOCK[®] ball valve with NPT thread female ends with multi-volt electric actuator 90-240 V AC 50-60 Hz "T" ball, configuration 1.



Reference	d	DN	PN	E	H	H1	L	Z	B	B ₁
TKDNCEM038E1	3/8"	10	16	54	118	80	13,7	90.6	205	29
TKDNCEM012E1	1/2"	15	16	54	125	80	18	90.4	205	29
TKDNCEM034E1	3/4"	20	16	65	146.4	100	18	110.4	216	34.5
TKDNCEM100E1	1"	25	16	73	166.6	110	22,6	121.4	221	39
TKDNCEM114E1	1" 1/4	32	16	86	195.8	131	25,1	145.6	238	46
TKDNCEM112E1	1" 1/2	40	16	98	211.4	148	24,7	162	244	52
TKDNCEM200E1	2"	50	*10	122	253.8	179	29,6	194.6	261	62