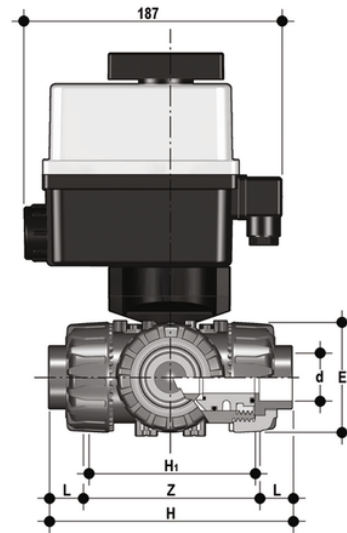


3 way DUAL BLOCK<sup>®</sup> ball valve with female ends for solvent welding, ASTM series with multi-volt electric actuator 90-240 V AC 50-60 Hz. "T" ball, configuration 1.



Reference	d	DN	PN	E	H	H1	L	Z	B	B <sub>1</sub>
TKDACEM038F1	3/8"	10	16	54	132.19999999999999	80	19,5	93.2	205	29
TKDACEM012F1	1/2"	15	16	54	132.19999999999999	80	23	87.2	205	29
TKDACEM034F1	3/4"	20	16	65	159.19999999999999	100	25,5	108.2	216	34.5
TKDACEM100F1	1"	25	16	73	174	110	28,7	116.6	221	39
TKDACEM114F1	1" 1/4	32	16	86	205	131	32	141	238	46
TKDACEM112F1	1" 1/2	40	16	98	227.6	148	35	157.6	244	52
TKDACEM200F1	2"	50	*10	122	267	179	38,2	190.6	261	62