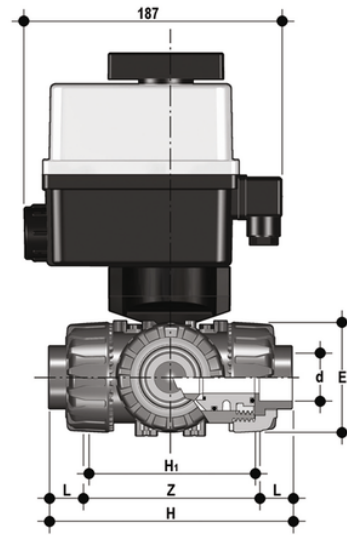


# EPDM

3 way DUAL BLOCK<sup>®</sup> ball valve with female ends for solvent welding, metric series with multivolt electric actuator 90-240 V AC 50-60 Hz "L" ball.



Reference	d	DN	PN	E	H	H1	L	Z	B	B <sub>1</sub>
LKDICEM016E1	16	10	16	54	118	80	14	90	205	29
LKDICEM020E1	20	15	16	54	118	80	16	86	205	29
LKDICEM025E1	25	20	16	65	145	100	19	107	216	34.5
LKDICEM032E1	32	25	16	73	160	110	22	116	221	39
LKDICEM040E1	40	32	16	86	188.5	131	26	136.5	238	46
LKDICEM050E1	50	40	16	98	219	148	31	157	244	52
LKDICEM063E1	63	50	*10	122	266.5	179	38	190.5	261	62