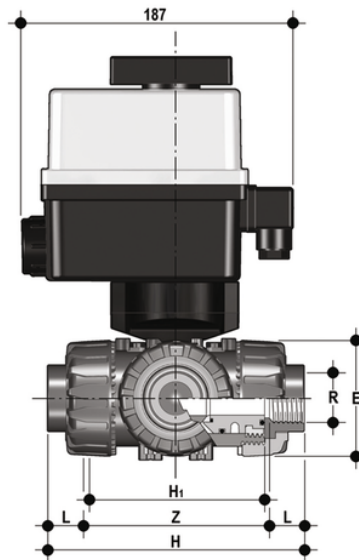


EPDM

3 way DUAL BLOCK[®] ball valve with gas cylinder thread female ends with multi-volt electric actuator 90-240 V AC 50-60 Hz "T" ball, configuration 1.



| Reference | R | DN | PN | E | H | H1 | L | Z | B | B ₁ | g |
|--------------|--------|----|----|-----|-------|-----|--------------------|-----|-----|----------------|------|
| TKDFMEM012E1 | 1/2" | 15 | 10 | 54 | 125 | 80 | 15 | 95 | 205 | 29 | 1728 |
| TKDFMEM034E1 | 3/4" | 20 | 10 | 65 | 146 | 100 | 16.3 | 114 | 216 | 34.5 | 1876 |
| TKDFMEM100E1 | 1" | 25 | 10 | 73 | 166 | 110 | 19.100000000000001 | 129 | 221 | 39 | 2014 |
| TKDFMEM114E1 | 1" 1/4 | 32 | 10 | 86 | 195.5 | 131 | 21.4 | 151 | 238 | 46 | 2425 |
| TKDFMEM112E1 | 1" 1/2 | 40 | 10 | 98 | 211 | 148 | 21.4 | 166 | 244 | 52 | 2652 |
| TKDFMEM200E1 | 2" | 50 | 10 | 122 | 253.5 | 179 | 25.7 | 199 | 261 | 62 | 3357 |