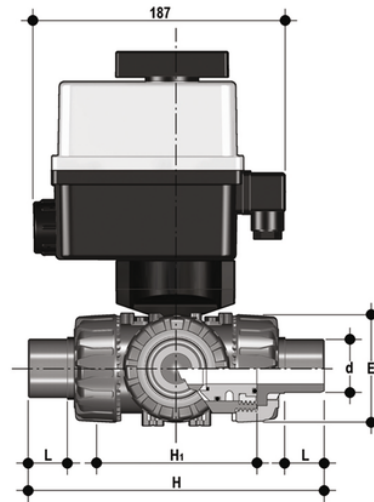


FKM

3 way DUAL BLOCK[®] ball valve with male ends for socket welding with multi-volt electric actuator 90-240 V AC 50-60 Hz. "T" ball, configuration 1.



Reference	d	DN	PN	E	H	H1	L	B	B ₁	g
TKDDMEM020F1	20	15	10	54	140	80	16	205	29	1728
TKDDMEM025F1	25	20	10	65	175	100	18	216	34.5	1876
TKDDMEM032F1	32	25	10	73	188	110	20	221	39	2014
TKDDMEM040F1	40	32	10	86	220	131	22	238	46	2425
TKDDMEM050F1	50	40	10	98	251	148	25	244	52	2652
TKDDMEM063F1	63	50	10	122	294	179	29	261	62	3357