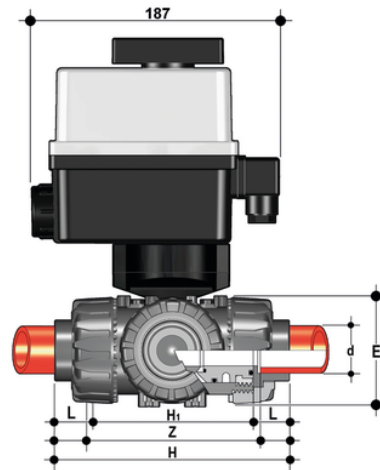


EPDM

3 way DUAL BLOCK[®] ball valve with female ends for socket welding with multi-volt electric actuator 90-240 V AC 50-60 Hz "L" ball.



Reference	d	DN	PN	E	H	H1	L	Z	B	B ₁	g
LKDIMEM016E1	16	10	10	54	118	80	14	89.5	205	29	1728
LKDIMEM020E1	20	15	10	54	118	80	15	88	205	29	1728
LKDIMEM025E1	25	20	10	65	145	100	16.5	112	216	34.5	1876
LKDIMEM032E1	32	25	10	73	160	110	19	122	221	39	2014
LKDIMEM040E1	40	32	10	86	188.5	131	23	142.5	238	46	2425
LKDIMEM050E1	50	40	10	98	219	148	23.5	172	244	52	2652
LKDIMEM063E1	63	50	10	122	266.5	179	27.7	211.15	261	62	3357