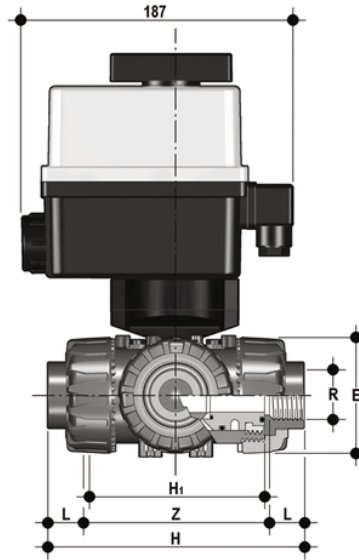


# EPDM

3 way DUAL BLOCK<sup>®</sup> ball valve with gas cylinder thread female ends with multi-volt electric actuator 90-240 V AC 50-60 Hz "L" ball.



| Reference    | R      | DN | PN | E   | H     | H1  | L                  | Z   | B   | B <sub>1</sub> | g    |
|--------------|--------|----|----|-----|-------|-----|--------------------|-----|-----|----------------|------|
| LKDFMEM012E1 | 1/2"   | 15 | 10 | 54  | 125   | 80  | 15                 | 95  | 205 | 29             | 1728 |
| LKDFMEM034E1 | 3/4"   | 20 | 10 | 65  | 146   | 100 | 16.3               | 114 | 216 | 34.5           | 1876 |
| LKDFMEM100E1 | 1"     | 25 | 10 | 73  | 166   | 110 | 19.100000000000001 | 129 | 221 | 39             | 2014 |
| LKDFMEM114E1 | 1" 1/4 | 32 | 10 | 86  | 195.5 | 131 | 21.4               | 151 | 238 | 46             | 2425 |
| LKDFMEM112E1 | 1" 1/2 | 40 | 10 | 98  | 211   | 148 | 21.4               | 166 | 244 | 52             | 2652 |
| LKDFMEM200E1 | 2"     | 50 | 10 | 122 | 253.5 | 179 | 25.7               | 199 | 261 | 62             | 3357 |