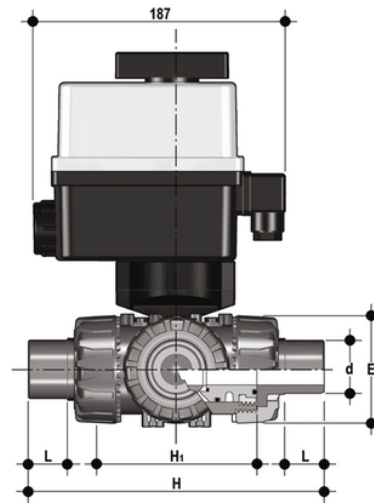


EPDM

3 way DUAL BLOCK[®] ball valve with metric male ends with electric actuator 24 V AC/DC "L" ball.



Reference	d	DN	PN	E	H	H1	L	B	B ₁
LKDDCEL020E1	20	15	16	54	140	80	16	205	29
LKDDCEL025E1	25	20	16	65	175	100	19	216	34.5
LKDDCEL032E1	32	25	16	73	188	110	22	221	39
LKDDCEL040E1	40	32	16	86	220	131	26	238	46
LKDDCEL050E1	50	40	16	98	251	148	31	244	52
LKDDCEL063E1	63	50	*10	122	294	179	38	261	62