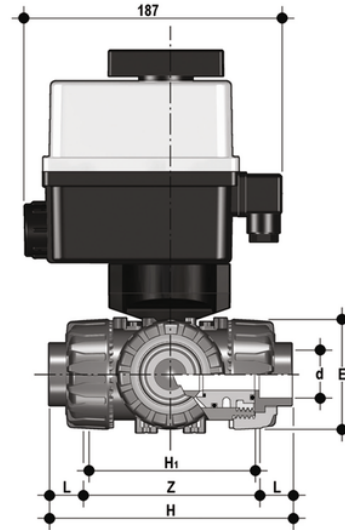


# EPDM

3 way DUAL BLOCK<sup>®</sup> ball valve with female ends for solvent welding, ASTM series with electric actuator 24 V AC/DC "L" ball.



Reference	d	DN	PN	E	H	H1	L	Z	B	B <sub>1</sub>
LKDACEL112E1	1" 1/2	40	16	98	227.6	148	35	157.6	244	52
LKDACEL200E1	2"	50	*10	122	267	179	38,2	190.6	261	62
LKDACEL038E1	3/8"	10	16	54	132.19999999999999	80	19,5	93.2	205	29
LKDACEL012E1	1/2"	15	16	54	132.19999999999999	80	23	87.2	205	29
LKDACEL034E1	3/4"	20	16	65	159.19999999999999	100	25,5	108.2	216	34.5
LKDACEL100E1	1"	25	16	73	174	110	28,7	116.6	221	39
LKDACEL114E1	1" 1/4	32	16	86	205	131	32	141	238	46