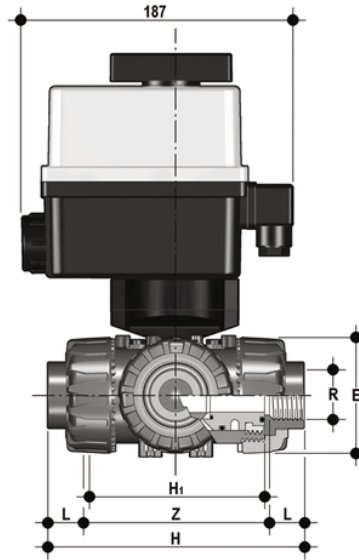


EPDM

3 way DUAL BLOCK[®] ball valve with gas cylinder thread female ends with electric actuator 24 V AC/DC "T" ball, configuration 1.



Reference	R	DN	PN	E	H	H1	L	Z	B	B ₁	g
TKDFMEL012E1	1/2"	15	10	54	125	80	15	95	205	29	1728
TKDFMEL034E1	3/4"	20	10	65	146	100	16.3	114	216	34.5	1876
TKDFMEL100E1	1"	25	10	73	166	110	19.100000000000001	129	221	39	2014
TKDFMEL114E1	1" 1/4	32	10	86	195.5	131	21.4	151	238	46	2425
TKDFMEL112E1	1" 1/2	40	10	98	211	148	21.4	166	244	52	2652
TKDFMEL200E1	2"	50	10	122	253.5	179	25.7	199	261	62	3357