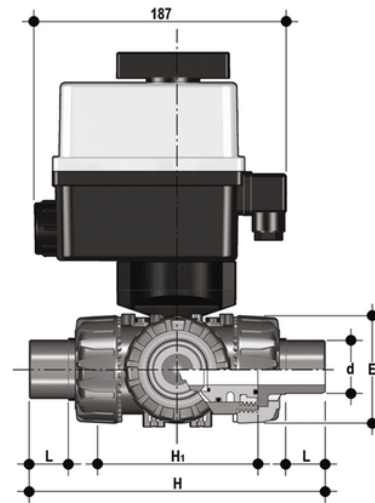


# EPDM

3 way DUAL BLOCK<sup>®</sup> ball valve with male ends for socket welding with electric actuator 24 V AC/DC. "L" ball.



Reference	d	DN	PN	E	H	H1	L	B	B <sub>1</sub>	g
LKDDMEL020E1	20	15	10	54	140	80	16	205	29	1728
LKDDMEL025E1	25	20	10	65	175	100	18	216	34.5	1876
LKDDMEL032E1	32	25	10	73	188	110	20	221	39	2014
LKDDMEL040E1	40	32	10	86	220	131	22	238	46	2425
LKDDMEL050E1	50	40	10	98	251	148	25	244	52	2652
LKDDMEL063E1	63	50	10	122	294	179	29	261	62	3357