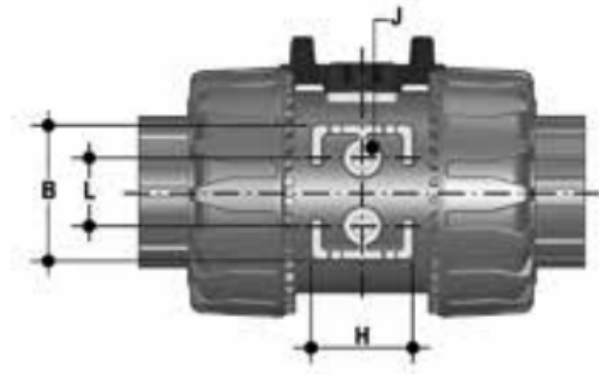


Fastening Inserts

Fastening inserts available in Stainless Steel for valves in PP-H and PVDF or Brass for valves in PVC-U and PVC-C.



Reference	DN	product.detail.attribute.Threads	product.detail.attribute.Material	To be used with:	To be used with:
SINSM04O	10-25	M4	Brass	VKD - VKR	-
SINSM04X	10-25	M4	Stainless Steel	-	VKD - VKR
SINSM06O	32-50	M6	Brass	VKD - VKR	-
SINSM06X	32-50	M6	Stainless Steel	-	VKD - VKR