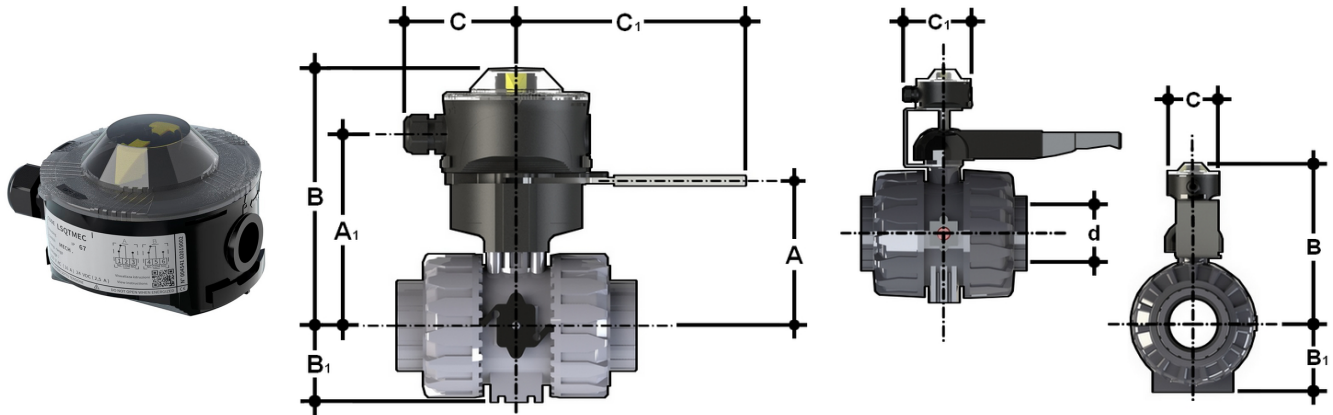


LSQTMEC Electromechanical microswitches box

IP67 box containing two electro-mechanical microswitches and configurable optical indicator



| Reference | DN | To be used with: |
|-----------|--------|------------------|
| LSQTMEC | 10-100 | VKD - TKD |