

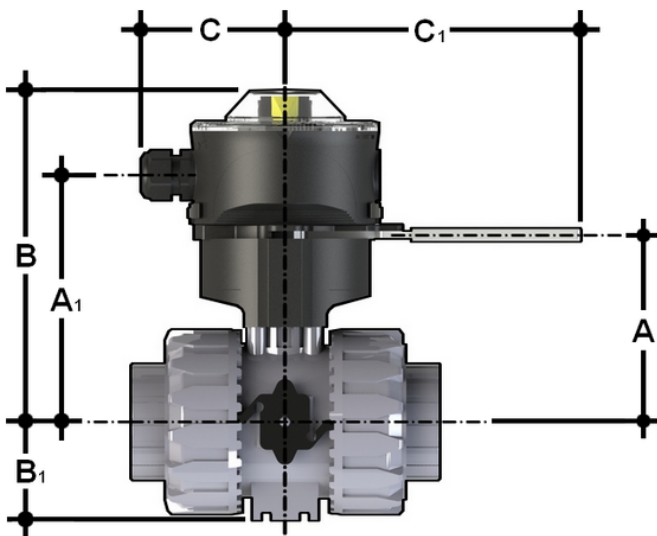
# LS Quick Kit DN10-50

The Limit Switch Quick Kit allows the fast and secure installation of the FIP LSQT to the VKD and TKD valves.

The body is in PP-GR and the handle in stainless steel AISI 316.

The handle block at 0° and 90° is also available by default (hole diameter 6.5 mm).

The kit can be assembled on the valve even if already installed on the system.



Reference	DN	A	A[5:1]	B	B <sub>1</sub>	C	C[5:1]	to be used with:
LSQKIT20	10-15	60	91,5	137	29	76,5	157,5	VKD-TKD*
LSQKIT25	20	71	102,5	148	34,5	76,5	157,5	VKD-TKD*
LSQKIT32	25	76	107,5	153	39	76,5	157,5	VKD-TKD*
LSQKIT40	32	93	124,5	170	46	76,5	157,5	VKD-TKD*
LSQKIT50	40	99	130,5	176	52	76,5	157,5	VKD-TKD*
LSQKIT63	50	116	147,5	193	62	76,5	157,5	VKD-TKD*