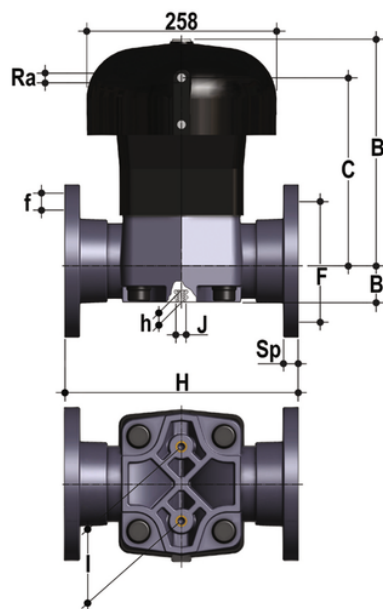


# VMOAV/CP DA – Pneumatically actuated diaphragm valve DN 80:100

Pneumatically actuated diaphragm valve with ANSI B16.5 cl. 150 #FF flanged monolithic body, Double Acting.



## EPDM

Reference	d	DN	PN	B	B <sub>1</sub>	C	H	h	R <sub>a</sub>	l	J	F	Φf	U	Sp	g
VMOAVDA300E	3"	80	6	297	64	244	263	23	1/4"	100	M12	152.4	19,1	4	21.5	14500
VMOAVDA400E	4"	100	6	322	72	260	328	23	1/4"	120	M12	190.5	19,1	8	22.5	24400

## FKM

Reference	d	DN	PN	B	B <sub>1</sub>	C	H	h	R <sub>a</sub>	l	J	F	Φf	U	Sp	g
VMOAVDA300F	3"	80	6	297	64	244	263	23	1/4"	100	M12	152.4	19,1	4	21.5	14500
VMOAVDA400F	4"	100	6	322	72	260	328	23	1/4"	120	M12	190.5	19,1	8	22.5	24400

## PTFE

Reference	d	DN	PN	B	B <sub>1</sub>	C	H	h	R <sub>a</sub>	l	J	F	Φf	U	Sp	g
VMOAVDA300P	3"	80	6	297	64	244	263	23	1/4"	100	M12	152.4	19,1	4	21.5	14500
VMOAVDA400P	4"	100	6	322	72	260	328	23	1/4"	120	M12	190.5	19,1	8	22.5	24400

# VMOAV/CP DA – Pneumatically actuated diaphragm valve DN 80:100

The PP-GR diaphragm actuator is characterised by significant construction strength and makes VM the ideal choice for heavy-duty and chemically aggressive applications.

- PP-GR diaphragm actuator marked by high construction strength. The upper part is reinforced in steel in the Normally closed configuration. The absence of metal parts exposed to the external environment prevents any risk of corrosion.
- The special control diaphragm reinforced with textile fibres allows for up to 10 million operating cycles without showing any signs of wear.
- High resistance stainless steel stem with floating pin connection between the actuator stem and diaphragm to prevent concentrated loads, improve the seal and extend its lifetime.
- New valve body internal design. Substantially higher flow coefficient and lower pressure drops. Improved adjustment curve for efficient and precise flow regulation.
- Connection system using solvent welded and flanged joints
- Optimised fluid dynamic design: maximum output flow rate thanks to the optimised efficiency of the fluid dynamics that characterise the new internal geometry of the body
- Robust and reliable PP-GR diaphragm actuator suited to be used in severe environmental and chemically aggressive conditions
- Bonnet fastening screws in STAINLESS steel protected against the external environment by PE plugs
- New flanged bodies: the new bodies, characterised by a monolithic flanged structure, are available in PVC-U, PVC-C, PP-H and PVDF. This design, free of joints between the body and flanges, greatly reduces mechanical stress and increases system performance