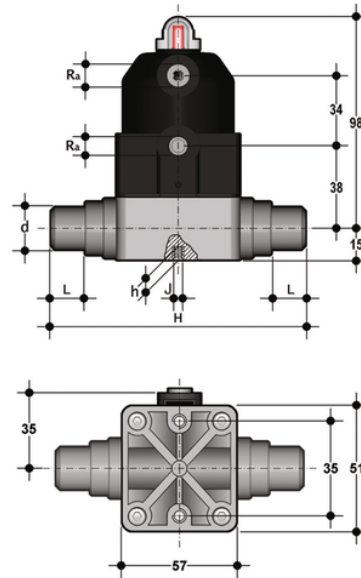


CMDV/CP NO – Pneumatically actuated compact diaphragm valve DN 12:15

Pneumatically actuated compact diaphragm valve with metric plain spigot ends for solvent welding, Normally Open.



EPDM

| Reference | d | DN | PN | B ₁ | R _α | L | H | h | J | g |
|------------|----|----|----|----------------|----------------|----|-----|---|----|-----|
| CMDVNO020E | 20 | 15 | 6 | 12.5 | G 1/4" | 17 | 124 | 8 | M5 | 340 |

FKM

| Reference | d | DN | PN | B ₁ | R _α | L | H | h | J | g |
|------------|----|----|----|----------------|----------------|----|-----|---|----|-----|
| CMDVNO020F | 20 | 15 | 6 | 12.5 | G 1/4" | 17 | 124 | 8 | M5 | 340 |

PTFE

| Reference | d | DN | PN | B ₁ | R _α | L | H | h | J | g |
|------------|----|----|----|----------------|----------------|----|-----|---|----|-----|
| CMDVNO020P | 20 | 15 | 6 | 12.5 | G 1/4" | 17 | 124 | 8 | M5 | 340 |

CMDV/CP NO – Pneumatically actuated compact diaphragm valve DN 12:15

The new compact and light piston actuator in PP-GR makes the CM/CP the ideal choice for applications requiring very frequent valve operation and a long valve lifetime.

- Compact and lightweight piston actuator in PP-GR, free of exposed metallic parts, particularly suited for use in severe environmental and chemically aggressive conditions.
- High strength IXEF piston guarantees high reliability over time without maintenance.
- High visibility graduated optical position indicator protected by a transparent cap with a seal O-Ring.
- The valve is impervious to fluids containing impurities
- It has an high flow rate
- It can be installed in any position
- It has an extremely compact structure
- It is actuated by a dry running piston and does not require maintenance
- It has no protruding screws and is fully free of impurity deposits
- Allows for an easy diaphragm seal replacement
- The Standard version valve comes with a position indicator.