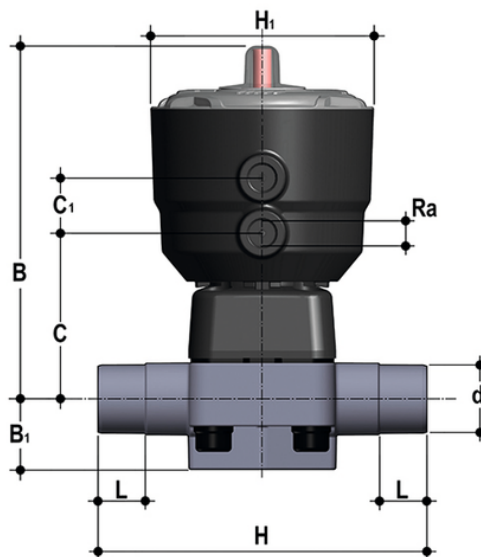


DKDV/CP NC – Pneumatically actuated 2-way diaphragm valve PN 10 DN 15:65

Pneumatically actuated diaphragm valve with male ends, metric series. Normally Closed function.



EPDM

Reference	d	DN	PN	B	B ₁	C	C[5:1]	H	H ₁	L	R[5:a]	g
DKDVNC020E	20	15	10	148	25	66	24	124	97	16	1/4"	695
DKDVNC025E	25	20	10	151	30	69	24	144	97	19	1/4"	717
DKDVNC032E	32	25	10	159	33	78	24	154	97	22	1/4"	917
DKDVNC040E	40	32	10	163	30	82	24	174	97	26	1/4"	961
DKDVNC050E	50	40	10	207	35	112	24	194	126	31	1/4"	2702
DKDVNC063E	63	50	10	245	46	142	24	224	157	38	1/4"	5918
DKDVNC075E	75	65	10	245	46	142	24	284	157	44	1/4"	6090

FKM

Reference	d	DN	PN	B	B ₁	C	C[5:1]	H	H ₁	L	R[5:a]	g
DKDVNC020F	20	15	10	148	25	66	24	124	97	16	1/4"	695
DKDVNC025F	25	20	10	151	30	69	24	144	97	19	1/4"	717
DKDVNC032F	32	25	10	159	33	78	24	154	97	22	1/4"	917
DKDVNC040F	40	32	10	163	30	82	24	174	97	26	1/4"	961
DKDVNC050F	50	40	10	207	35	112	24	194	126	31	1/4"	2702
DKDVNC063F	63	50	10	245	46	142	24	224	157	38	1/4"	5918
DKDVNC075F	75	65	10	245	46	142	24	284	157	44	1/4"	6090



DKDV/CP NC – Pneumatically actuated 2-way diaphragm valve

PN 10 DN 15:65

PTFE

Reference	d	DN	PN	B	B ₁	C	C[5:1]	H	H ₁	L	R[5:a]	g
DKDVNC020P	20	15	10	148	25	66	24	124	97	16	1/4"	695
DKDVNC025P	25	20	10	151	30	69	24	144	97	19	1/4"	717
DKDVNC032P	32	25	10	159	33	78	24	154	97	22	1/4"	917
DKDVNC040P	40	32	10	163	30	82	24	174	97	26	1/4"	961
DKDVNC050P	50	40	10	207	35	112	24	194	126	31	1/4"	2702
DKDVNC063P	63	50	10	245	46	142	24	224	157	38	1/4"	5918
DKDVNC075P	75	65	10	245	46	142	24	284	157	44	1/4"	6090

DKDV/CP NC – Pneumatically actuated 2-way diaphragm valve

PN 10 DN 15:65

The new compact and light piston actuator in PP-GR makes the DK/CP the ideal choice for applications requiring very frequent valve operation and a long valve lifetime.

- **High visibility graduated optical position indicator** protected by a transparent cap with a seal O-Ring
- **Compact and light piston in PP-GR**, ideal for heavy-duty applications in chemically aggressive environments with a **diaphragm perimeter containment system** that ensures the perfect compression of the rubber without any lateral expansion
- **Piston in high strength IXEF®**. The high quality finishing of the external surface guarantees perfect slidability over the seal and ensures a long working life without any actuator maintenance
- High strength **stainless steel stem** with double seal O-Ring. Floating **pin connection** between the actuator stem and diaphragm to prevent concentrated loads, improve the seal and extend its lifetime
- Actuator equipped with **6 independent cartridge springs** arranged radially to uniformly distribute the load on the piston
- **Dual function main gasket. Piston seal:** the gasket does not move but sits securely on the actuator cylinder instead of the piston. **External seal:** the gasket positioned above the threaded joint between the bonnet and cylinder ensures that the coupling is not stressed by the pressure inside the actuator
- Easy installation in confined spaces: **compressed air inlets with G 1/4" threaded adjustable connections** to enable alignment with the piping. PPGR connections prevent any risk of corrosion
- **New valve body internal design. Substantially higher flow coefficient** and lower pressure drops. The degree of efficiency reached has also enabled the **size and weight of the valve to be reduced. Adjustment linearity:** the internal profiles of the valve greatly improve its characteristic curve, allowing **extremely sensitive and precise adjustment** along the entire length of the shutter stroke
- Joint system for solvent welding (PVC-U and PVC-C only), for welding (PP-H and PVDF only), for threading and flanging
- **Optimised fluid dynamic design:** maximum output flow rate thanks to the optimised efficiency of the fluid dynamics that characterise the new internal geometry of the body
- **Internal operating components in metal totally isolated from the conveyed fluid** and external environment
- **Modularity of the range:** only 2 hand wheels and 4 diaphragms and bonnet sizes for 7 different valve sizes
- Non-salient hand wheel, equipped with a graduated optical indicator and protected by a transparent PVC cap with sealing O-ring
- Bonnet fastening screws in STAINLESS steel protected by PE plugs Absence of metal parts exposed to the external environment to prevent any risk of corrosion
- **New flanged bodies:** the new bodies, characterised by a monolithic flanged structure, are available in PVC-U, PVC-C, PP-H and PVDF. This design, free of joints between the body and flanges, greatly reduces mechanical stress and increases system performance
- **CDSA seal system** (Circular Diaphragm Sealing Angle) with a uniform distribution of the shutter pressure on the sealing membrane offers the following advantages:
 - Operating torque reduction
 - Reduced mechanical stress on all valve components (actuator, body and diaphragm)
 - Low risk of the accumulation of deposits, contamination or damage to the diaphragm due to crystallisation
 - Easy to clean valve interior