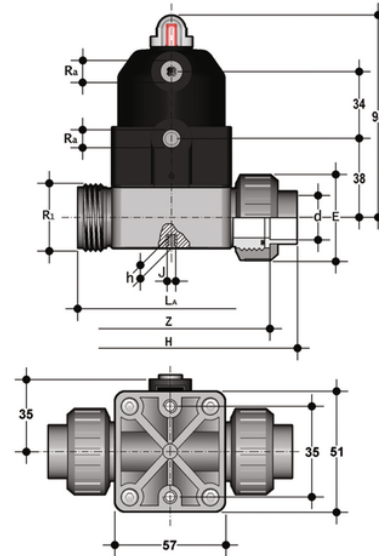


CMUIM/CP NO – Pneumatically actuated compact diaphragm valve DN 12:15

Pneumatically actuated compact diaphragm valve with unionised metric plain socket ends for socket welding, Normally Open.



EPDM

Reference	d	DN	PN	E	R ₁	R _G	LA	Z	H	h	J	g
CMUIMNO020E	20	15	6	47.5	1"	G 1/4"	90	98	130	8	M5	300

FKM

Reference	d	DN	PN	E	R ₁	R _G	LA	Z	H	h	J	g
CMUIMNO020F	20	15	6	47.5	1"	G 1/4"	90	98	130	8	M5	300

PTFE

Reference	d	DN	PN	E	R ₁	R _G	LA	Z	H	h	J	g
CMUIMNO020P	20	15	6	47.5	1"	G 1/4"	90	98	130	8	M5	300

CMUIM/CP NO – Pneumatically actuated compact diaphragm valve DN 12:15

The new compact and light piston actuator in PP-GR makes the CM/CP the ideal choice for applications requiring very frequent valve operation and a long valve lifetime.

- Compact and lightweight piston actuator in PP-GR, free of exposed metallic parts, particularly suited for use in severe environmental and chemically aggressive conditions.
- High strength IXEF piston guarantees high reliability over time without maintenance.
- High visibility graduated optical position indicator protected by a transparent cap with a seal O-Ring.
- The valve is impervious to fluids containing impurities
- It has an high flow rate
- It can be installed in any position
- It has an extremely compact structure
- It is actuated by a dry running piston and does not require maintenance
- It has no protruding screws and is fully free of impurity deposits
- Allows for an easy diaphragm seal replacement
- The Standard version valve comes with a position indicator.