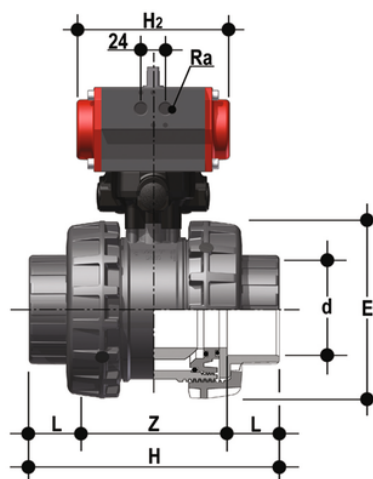


VXEJV/CP NC - pneumatically actuated Easyfit 2-way ball valve

2 way Easyfit valve with female ends for solvent welding, JIS series with pneumatic actuator, Normally Closed function.



EPDM

Reference	d	DN	*PN	E	H	L	Z	B	E ₁	G	H ₂	R _a	g
VXEJVNC212E	2"1/2	65	6	157	243	61	121	249	94	30	210	G1/4"	5950
VXEJVNC300E	3"	80	6	174	272	64.5	143	256	94	30	210	G1/4"	6632
VXEJVNC400E	4"	100	6	212	332	84	164	276	94	30	210	G1/4"	9114

FKM

Reference	d	DN	*PN	E	H	L	Z	B	E ₁	G	H ₂	R _a	g
VXEJVNC212F	2"1/2	65	6	157	243	61	121	249	94	30	210	G1/4"	5950
VXEJVNC300F	3"	80	6	174	272	64.5	143	256	94	30	210	G1/4"	6632
VXEJVNC400F	4"	100	6	212	332	84	164	276	94	30	210	G1/4"	9114

VXEJV/CP NC - pneumatically actuated Easyfit 2-way ball valve

In addition to the manually actuated version, VXE is also available in VXE/CE electrically actuated and VXE/CP pneumatically actuated configurations. Actuators are firmly connected to the valve by the special FIP Power Quick modules fully made of PP-GR technopolymer. VXE/CE and VXE/CP are constructed with actuators meeting current regulations and selected by FIP according to their quality and reliability requirements. The efficiency of these valves, tested according to the company's quality standards, is guaranteed by the expertise and know-how that FIP dedicates to manufacturing its products.

- Electric actuator constructed according to FIP specifications; with plastic shell and standard emergency override. Available with voltages from 12 to 240V.
- Rack & pinion type pneumatic actuator constructed according to FIP specifications: fully protected against weather corrosion available in double-acting (DA) or simple-acting normally closed (NC) or normally open (NO) versions.
- Stem with high surface finish and double O-Ring and PTFE antifriction disk that limits friction to a minimum and grants excellent operating torque.
- Easy to install Easyfit PowerQuick module for pneumatic or electric actuator fully made of highly robust technopolymer.
- Connection system using solvent welded and threaded joints
- Patented Easyfit system: innovative mechanism based on the multifunctional handle quick release mechanism that permits union nut rotation during valve installation and ball seat carrier adjustment
- Valve material compatibility (U PVC-C) and elastomer seal elements (EPDM or FKM), with water, drinking water and other food substances as per current regulations
- Easy radial dismounting allowing quick replacement of O-rings and ball seats without any need for tools
- PN16 radial dismounting valve body (True Union) made for PVC-C injection moulding and European Directive 2014/68/EC compliant for PED pressurised equipment. ISO 9393 compliant test requirements. Maximum fluid pressure for valve operation 6 bar.
- Valve body with built in anchoring frame for the special Power Quick module dedicated to accessory or pneumatic and electric actuator installation
- Option of disassembling downstream pipes with the valve in the closed position
- Floating full bore ball with high surface finish made in CNC work stations to achieve precise dimensional tolerance and high surface finish.