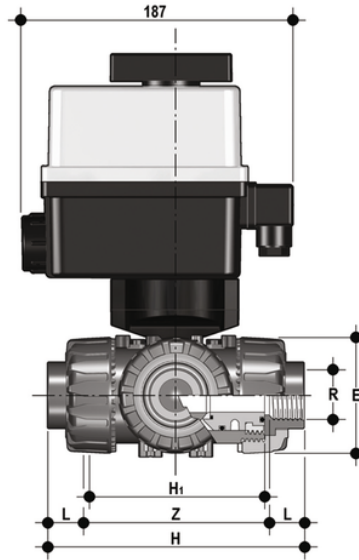


TKDNV/CE 90-240 V AC - Electrically actuated DUAL BLOCK® 3-way ball valve DN 10:50

3 way DUAL BLOCK® ball valve with NPT thread female ends with multi-volt electric actuator 90-240 V AC 50-60 Hz "T" ball, configuration 1.



EPDM

Reference	d	DN	PN	E	H	H1	L	Z	B	B ₁	g
TKDNVEM038E1	3/8"	10	16	54	118	80	13,7	90.6	205	29	1843
TKDNVEM012E1	1/2"	15	16	54	125	80	18	90.4	205	29	1843
TKDNVEM034E1	3/4"	20	16	65	146.4	100	18	110.4	216	34.5	2076
TKDNVEM100E1	1"	25	16	73	166.6	110	22,6	121.4	221	39	2299
TKDNVEM114E1	1" 1/4	32	16	86	195.8	131	25,1	145.6	238	46	2880
TKDNVEM112E1	1" 1/2	40	16	98	211.4	148	24,7	162	244	52	3242
TKDNVEM200E1	2"	50	*10	122	253.8	179	29,6	194.6	261	62	4362

FKM

Reference	d	DN	PN	E	H	H1	L	Z	B	B ₁	g
TKDNVEM038F1	3/8"	10	16	54	118	80	13,7	90.6	205	29	1843
TKDNVEM012F1	1/2"	15	16	54	125	80	18	90.4	205	29	1843
TKDNVEM034F1	3/4"	20	16	65	146.4	100	18	110.4	216	34.5	2076
TKDNVEM100F1	1"	25	16	73	166.6	110	22,6	121.4	221	39	2299
TKDNVEM114F1	1" 1/4	32	16	86	195.8	131	25,1	145.6	238	46	2880
TKDNVEM112F1	1" 1/2	40	16	98	211.4	148	24,7	162	244	52	3242
TKDNVEM200F1	2"	50	*10	122	253.8	179	29,6	194.6	261	62	4362

TKD/CE 90-240 V AC - Electrically actuated DUAL BLOCK® 3-way ball valve DN 10:50

In addition to the manually actuated version, TKD is also available in TKD/CE electrically actuated and TKD/CP pneumatically actuated configurations. Actuators are firmly connected to the valve by the special FIP PowerQuick modules fully made of PP-GR technopolymer. TKD/CE and TKD/CP are constructed with actuators meeting current regulations and selected by FIP according to their quality and reliability requirements. The efficiency of these valves, tested according to the company's quality standards, is guaranteed by the expertise and know-how that FIP dedicates to manufacturing its products.

- Electric actuator constructed according to FIP specifications; with plastic shell and standard emergency override. Available with voltages from 12 to 240V
- Rack & pinion type pneumatic actuator constructed according to FIP specifications: fully protected against weather corrosion available in double-acting (DA) or simple-acting normally closed (NC) or normally open (NO) versions. Three different positions according to 2 configurations are possible with T ball: 0°-90°-180° and 0°-90°-270°
- High surface finish stem with double O-Ring. The double connection key system guarantees solid and reliable actuator torque transmission to the ball
- Easy to install PowerQuick module for pneumatic or electric actuator fully made of highly robust technopolymer
- DUAL BLOCK® patented lock system that ensures union nut tightening hold even in severe conditions such as vibrations or heat dilation
- Ball shutter high surface finish with floating type full passage with T or L port
- Joint system for solvent welding (PVC-U and PVC-C only), for welding (PP-H only), for threading
- Patented SEAT STOP® ball seat carrier system that lets you micro-adjust ball seats and minimise axial force effects
- Easy radial disassembly allowing quick replacement of O-rings and ball seats without any need for tools
- Radial dismounting valve body (True Union) made for PVC-U, PVC-C and PP-H injection moulding equipped with built-in bores for actuation. ISO 9393 compliant test requisites
- Option of disassembling downstream pipes with the valve in the closed position
- High surface finish stem with double O-Ring and double connection key to the ball, equipped with visual ball position indicator for correct handle installation
- Integrated bracket for valve anchoring
- Possibility of installing pneumatic and/or electric actuators thanks to the robust anchor tower for easy and quick automation using the PowerQuick module.