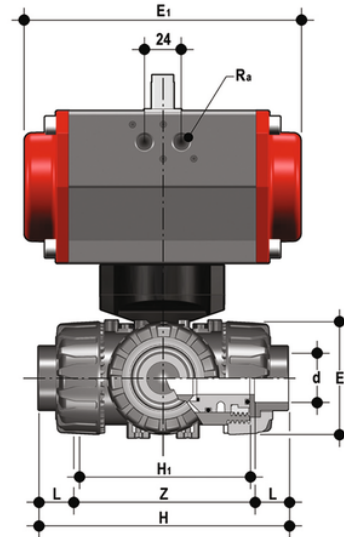


TKDLV/CP DA – Pneumatically actuated DUAL BLOCK® 3-way ball valve DN 10:50

3 way DUAL BLOCK® ball valve with female ends, BS series with pneumatic actuator, Double-Acting function. "T" ball, configuration 1



EPDM

Reference	R	DN	PN	E	H	H1	L	Z	R _a	B	B ₁	E ₁	E ₂	g
TKDLVDA038E1	3/8"	10	16	54	118	80	14.7	88.6	G1/8"	145	29	138	75	1413
TKDLVDA012E1	1/2"	15	16	54	118	80	17	85	G1/8"	145	29	138	86	1943
TKDLVDA034E1	3/4"	20	16	65	144.80000000000001	100	19	106.8	G1/4"	156.5	34.5	155.5	86	2186
TKDLVDA100E1	1"	25	16	73	160	110	22.5	115	G1/4"	161	39	155.5	86	2409
TKDLVDA114E1	1" 1/4	32	16	86	188.6	131	26	136.6	G1/4"	194	46	155.5	86	2913
TKDLVDA112E1	1" 1/2	40	16	98	219.4	148	30.2	159	G1/4"	200	52	155.5	86	3260
TKDLVDA200E1	2"	50	16	122	266.60000000000002	179	36.200000000000003	194.2	G1/4"	200	62	155.5	86	5684

FKM

Reference	R	DN	PN	E	H	H1	L	Z	R _a	B	B ₁	E ₁	E ₂	g
TKDLVDA038F1	3/8"	10	16	54	118	80	14.7	88.6	G1/8"	145	29	138	75	1413
TKDLVDA012F1	1/2"	15	16	54	118	80	17	85	G1/8"	145	29	138	86	1943
TKDLVDA034F1	3/4"	20	16	65	144.80000000000001	100	19	106.8	G1/4"	156.5	34.5	155.5	86	2186
TKDLVDA100F1	1"	25	16	73	160	110	22.5	115	G1/4"	161	39	155.5	86	2409
TKDLVDA114F1	1" 1/4	32	16	86	188.6	131	26	136.6	G1/4"	194	46	155.5	86	2913
TKDLVDA112F1	1" 1/2	40	16	98	219.4	148	30.2	159	G1/4"	200	52	155.5	86	3260
TKDLVDA200F1	2"	50	16	122	266.60000000000002	179	36.200000000000003	194.2	G1/4"	200	62	155.5	86	5684

TKDLV/CP DA – Pneumatically actuated DUAL BLOCK® 3-way ball valve DN 10:50

In addition to the manually actuated version, TKD is also available in TKD/CE electrically actuated and TKD/CP pneumatically actuated configurations. Actuators are firmly connected to the valve by the special FIP Power Quick modules fully made of PP-GR technopolymer. TKD/CE and TKD/CP are constructed with actuators meeting current regulations and selected by FIP according to their quality and reliability requirements. The efficiency of these valves, tested according to the company's quality standards, is guaranteed by the expertise and know-how that FIP dedicates to manufacturing its products.

- Electric actuator constructed according to FIP specifications; with plastic shell and standard emergency override. Available with voltages from 12 to 240V.
- Rack & pinion type pneumatic actuator constructed according to FIP specifications: fully protected against weather corrosion available in double-acting (DA) or simple-acting normally closed (NC) or normally open (NO) versions. Three different positions according to 2 configurations are possible with T ball: 0°-90°-180° and 0°-90°-270°.
- High surface finish stem with double O-Ring. The double connection key system guarantees solid and reliable actuator torque transmission to the ball.
- Easy to install PowerQuick module for pneumatic or electric actuator fully made of highly robust technopolymer.
- DUAL BLOCK® patented lock system that ensures union nut tightening hold even in severe conditions such as vibrations or heat dilation.
- Ball shutter high surface finish with floating type full passage with T or L port.
- Joint system for solvent welding (PVC-U and PVC-C only), for welding (PP-H only), for threading
- Patented SEAT STOP® ball seat carrier system that lets you micro-adjust ball seats and minimise axial force effects
- Easy radial disassembly allowing quick replacement of O-rings and ball seats without any need for tools
- Radial dismounting valve body (True Union) made for PVC-U, PVC-C and PP-H injection moulding equipped with built-in bores for actuation. ISO 9393 compliant test requisites
- Option of disassembling downstream pipes with the valve in the closed position
- High surface finish stem with double O-Ring and double connection key to the ball, equipped with visual ball position indicator for correct handle installation
- Integrated bracket for valve anchoring
- Possibility of installing pneumatic and/or electric actuators thanks to the robust anchor tower for easy and quick automation using the Power Quick module.