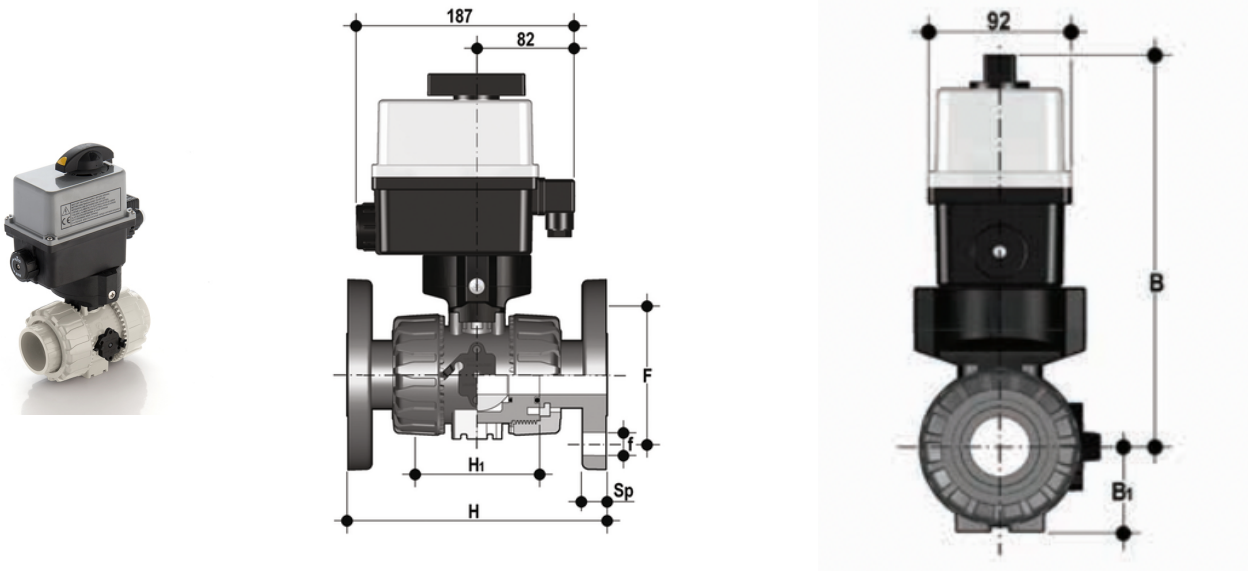


VKROAM/CE 90-240 V AC 4-20 mA - Electrically actuated DUAL BLOCK® regulating ball valve DN 10:50

Electrically actuated DUAL BLOCK® regulating ball valve with ANSI B.16.5 cl.150 #FF fixed flanges and modulating electric actuator multivolt 90-240 V AC 50-60 Hz.



EPDM

Reference	d	DN	B	B ₁	PN	H	H ₁	F	f	U	Sp	g
VKROAMEM012E0E	1/2"	15	205	29	10	143	65	60.3	15.9	4	11	1715
VKROAMEM034E0E	3/4"	20	216	34.5	10	172	70	69.9	15.9	4	14	1791
VKROAMEM100E0E	1"	25	221	39	10	187	78	79.4	15.9	4	14	1871
VKROAMEM114E0E	1" 1/4	32	238	46	10	190	88	88.9	15.9	4	14	2156
VKROAMEM112E0E	1" 1/2	40	244	52	10	212	93	98.4	15.9	4	16	2358
VKROAMEM200E0E	2"	50	261	62	10	234	111	120.7	19.1	4	16	2807

FKM

Reference	d	DN	B	B ₁	PN	H	H ₁	F	f	U	Sp	g
VKROAMEM012F0E	1/2"	15	205	29	10	143	65	60.3	15.9	4	11	1715
VKROAMEM034F0E	3/4"	20	216	34.5	10	172	70	69.9	15.9	4	14	1791
VKROAMEM100F0E	1"	25	221	39	10	187	78	79.4	15.9	4	14	1871
VKROAMEM112F0E	1" 1/2	40	244	52	10	212	93	98.4	15.9	4	16	2358
VKROAMEM114F0E	1" 1/4	32	238	46	10	190	88	88.9	15.9	4	14	2156
VKROAMEM200F0E	2"	50	261	62	10	234	111	120.7	19.1	4	16	2807

VKROAM/CE 90-240 V AC 4-20 mA - Electrically actuated DUAL BLOCK[®] regulating ball valve DN 10:50

In addition to the manually actuated version, VKR is also available in electrically actuated VKR/CE configuration. Actuators are firmly connected to the valve by the special FIP PowerQuick modules fully made of PP-GR technopolymer. VKR/CE are constructed with actuators meeting current regulations and selected by FIP according to their quality and reliability requirements. The efficiency of these valves, tested according to the company's quality standards, is guaranteed by the expertise and know-how that FIP dedicates to manufacturing its products.

- Electric modulating actuator constructed according to FIP specifications; with plastic shell and standard emergency override. Available with voltages from 12 to 240V with 4-20mA and 0-10 V input
- High surface finish stem with double O-Ring. The double connection key system guarantees solid and reliable actuator torque transmission to the ball
- Easy to install PowerQuick module for pneumatic or electric actuator fully made of highly robust technopolymer
- The patented ball design provides linear flow regulation throughout its range of operation even when the valve is open just a few degrees and guarantees minimum pressure drops
- Patented DUAL BLOCK[®] system: prevents union nuts from loosening even under extreme operating conditions: e.g. vibration or thermal expansion
- Joint system for solvent welding (PVC-U only), for welding (PP-H and PVDF only), for threading and flanging
- Patented SEAT STOP[®] ball carrier system that lets you micro-adjust ball seats and minimise the axial force effect.
- Easy radial disassembly allowing quick replacement of O-rings and ball seats without any need for tools
- Radial dismounting valve body (True Union) made for PVC-U, PVC-C and PVDF-H injection moulding equipped with built-in bores for actuation. ISO 9393 compliant test requisites
- Option of disassembling downstream pipes with the valve in the closed position
- High surface finish stem with double O-Ring and double groove ball connection
- Integrated bracket for valve anchoring
- Ball seat carrier can be adjusted using the Easytorque adjustment kit
- Actuation option: version with electric modulating actuator with 4-20 mA / 0-10 V inlet and 4-20 mA / 0-10 V outlet to monitor the position
- Valve suitable for carrying fluids that are clean and free of suspended particles