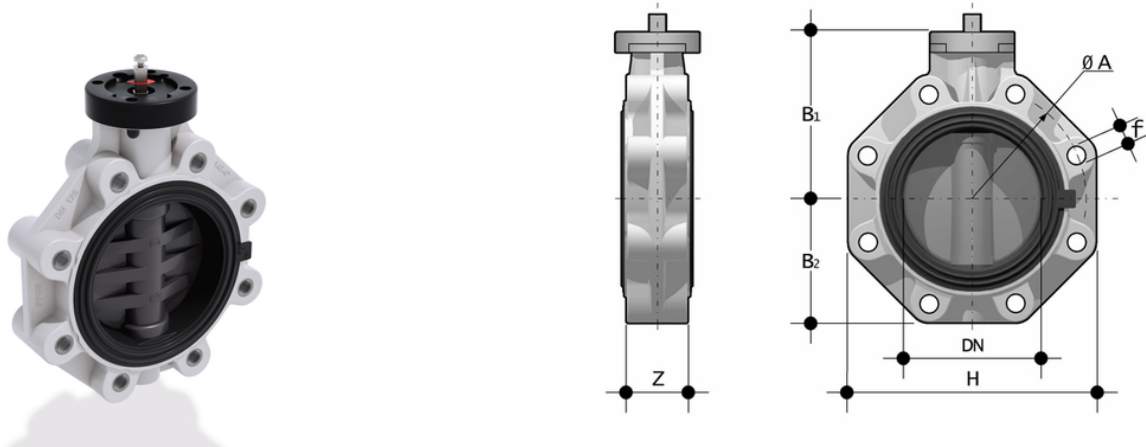


# FKOV/FM LUG ANSI - Butterfly valve DN 40:400

Butterfly valve with bare shaft, version Lug ANSI.



## EPDM

Reference	d	DN	PN	øA	B <sub>1</sub>	B[5:2]	f	H	U	Z	g
FKOALVFM500E	5"	125	10	215,9	167	120	3/4"	240	8	64	4150
FKOALVFM600E	6"	150	10	241,3	180	134	3/4"	268	8	70	4900
FKOALVFM800E	8"	200	10	298,4	227	161	3/4"	323	8	71	7600
FKOALVFM810E	10"	250	6	362	248	210	7/8"	405	12	114	16800
FKOALVFM812E	12"	300	6	431,8	305	245	7/8"	475	12	114	23800
FKOALVFM212E	2" 1/2	65	10	139,7	119	80	5/8"	165	4	46	1400
FKOALVFM300E	3"	80	10	152,4	133	93	5/8"	185	12	49	2200
FKOALVFM400E	4"	100	10	190,5	147	107	5/8"	211	8	56	2550

## FKM

Reference	d	DN	PN	øA	B <sub>1</sub>	B[5:2]	f	H	U	Z	g
FKOALVFM212F	2" 1/2	65	10	139,7	119	80	5/8"	165	4	46	1400
FKOALVFM300F	3"	80	10	152,4	133	93	5/8"	185	12	49	2200
FKOALVFM400F	4"	100	10	190,5	147	107	5/8"	211	8	56	2550
FKOALVFM500F	5"	125	10	215,9	167	120	3/4"	240	8	64	4150
FKOALVFM600F	6"	150	10	241,3	180	134	3/4"	268	8	70	4900
FKOALVFM800F	8"	200	10	298,4	227	161	3/4"	323	8	71	7600

# FKOV/FM LUG ANSI - Butterfly valve DN 40:400

Reference	d	DN	PN	øA	B <sub>1</sub>	B[5:2]	f	H	U	Z	g
FKOALVFM810F	10"	250	6	362	248	210	7/8"	405	12	114	16800
FKOALVFM812F	12"	300	6	431,8	305	245	7/8"	475	12	114	23800

## FKM

Reference	d	DN	PN	øA	B <sub>1</sub>	B[5:2]	f	H	U	Z	g
FKOALVFM212F0SF	2" 1/2	65	10	139,7	119	80	5/8"	165	4	46	1400
FKOALVFM300F0SF	3"	80	10	152,4	133	93	5/8"	185	12	49	2200
FKOALVFM400F0SF	4"	100	10	190,5	147	107	5/8"	211	8	56	2550
FKOALVFM500F0SF	5"	125	10	215,9	167	120	3/4"	240	8	64	4150
FKOALVFM600F0SF	6"	150	10	241,3	180	134	3/4"	268	8	70	4900

# FKOV/FM LUG ANSI - Butterfly valve DN 40:400

- **Ergonomic handle** in HIPVC equipped with **locking and unlocking device, release, quick operation and graduated adjustment** in 10 intermediate positions (DN 40÷200). The operating range, starting from the first few degrees of valve opening, also guarantees extremely low pressure drops.
- **Customisable Labelling System:** integrated module in the handle, made of a transparent protection plug and a customisable tag holder using the LSE set (available as an accessory). The **customisation** lets you **identify the valve on the system** according to specific needs.
- **STAINLESS steel square section stem** completely isolated from the fluid complying with standard ISO 5211:
  - DN 40÷65: 11 mm
  - DN 80÷100: 14 mm
  - DN 125÷150: 17 mm
  - DN 200: 22 mm
  - DN 250÷400: 27 mm
- **Body** in polypropylene based **compound reinforced with fibreglass (PP-GR) resistant to UV rays** and characterised by **high mechanical strength**.
- **Drilling pattern using oval slots** that allow coupling to flanges according to numerous international standards. The special **self-centring inserts in ABS** supplied for DN 40÷200 guarantee the **correct axial alignment** of the valve during installation. For DN 250÷400 valves, the drilling pattern for the selfcentring system is of the traditional type according to DIN and ANSI standards.
- **Interchangeable liner** with the dual function of forming a hydraulic seal and isolating the body from the fluid.
- Interchangeable disk in PVC-U with through shaft, available in different thermoplastic materials: PP-H, PVC-C, ABS, PVDF
- Overall dimensions of the valve in accordance with standard ISO 5752 (DN 40÷200 Medium Series 25, DN 250÷ 300 Long Series 16) and DIN 3202 K2 and ISO 5752 (DN 65÷200 K2, DN 250÷300 K3)
- Can also be installed as an end line valve, bottom discharge valve or tank dump valve
- **Special Lug version** PN 10 fully drilled to DIN 2501 or ANSI B16.5 cl.150 with **molded-in AISI 316 STAINLESS steel threaded inserts**
- **Valve material compatibility** (PVC-U + EPDM) with water conveyance, drinking water and other food substances according to **current regulations**
- Possibility of installing a manual reducer or pneumatic and/or electric actuators by applying an ISO standard drilling PP-GR flanges. DN 40 ÷ 200 valve fitted with plate with rack in PP-GR. For actuated versions with flange drilled according to ISO 5211 F05, 07, F10. DN 250÷400 valve, fitted with one-piece top flange in high mechanical strength PP-GR with mounting flange for internal components drilled according to standard ISO 5211 F10 (excluding DN 350÷400), F12, F14.
- Possibility to have handle with integrated LSQT limit micro switch, even as a retrofit in existing installations