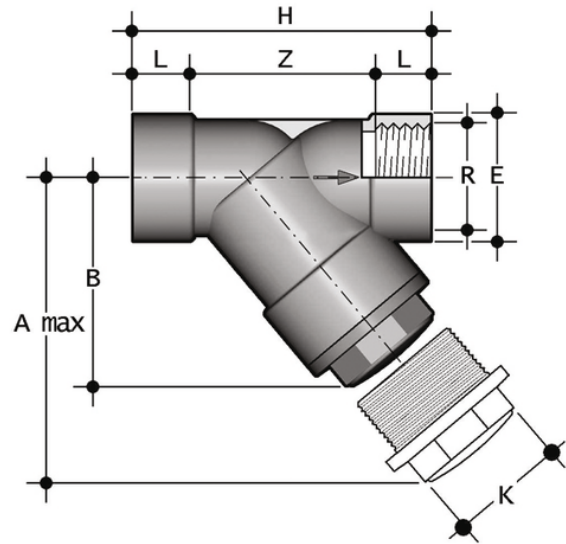


RVNT – Sediment strainer DN 10:100

PVC-U transparent.

Sediment strainer with NPT threaded female ends.



Reference	R	DN	PN	A max	B	E	H	K	L	Z	Fig.	g
RVNT300E	3"	80	4	325	192	116	262	105	51	160	B	2965
RVNT400E	4"	100	4	385	231	138	325	-	61	203	C	4405



RVNT – Sediment strainer DN 10:100

- Connection system for solvent weld, threaded and flanged joints
- **Strainer** mounted on an easily removed **support** that facilitates the cleaning or replacement
- **Valve material compatibility** (PVC-U) with water conveyance, drinking water and other food substances according to **current regulations**
- Can be maintained with the valve body installed