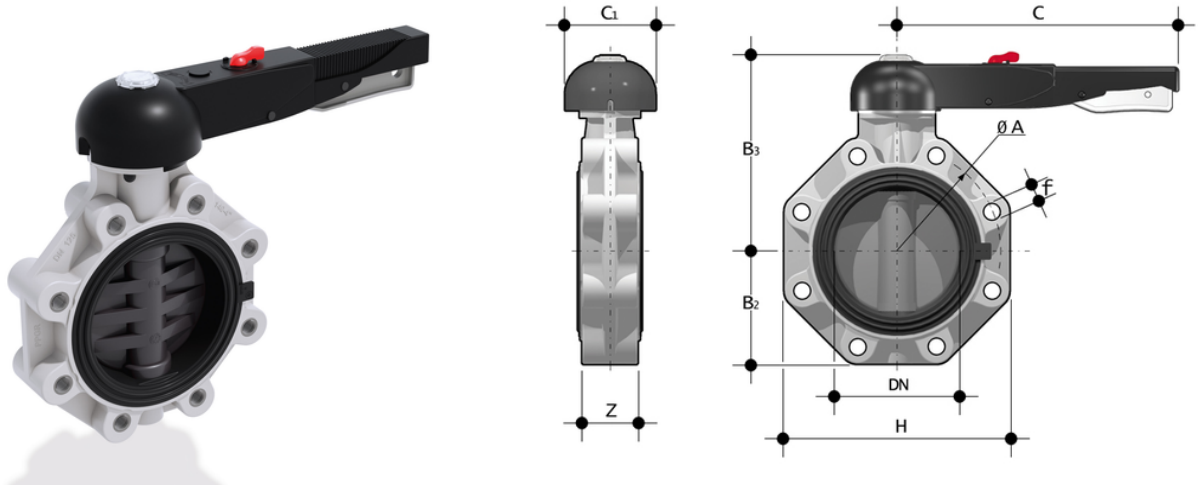


FKOV/LM LUG ISO-DIN - Butterfly valve DN 40:400

Hand operated butterfly valve, version Lug ISO-DIN.



EPDM

Reference	d	DN	PN	øA	B[5:2]	B[5:3]	C	C[5:1]	f	H	U	Z	g
FKOLVLM075E	75	65	10	145	80	164	175	110	M16	165	4	46	1870
FKOLVLM090E	90	80	10	160	93	178	175	110	M16	185	12	49	2670
FKOLVLM110E	110	100	10	180	107	192	272	110	M16	211	8	56	3020
FKOLVLM140E	140	125	10	210	120	212	330	110	M16	240	8	64	4700
FKOLVLM160E	160	150	10	240	134	225	330	110	M20	268	8	70	5450
FKOLVLM225E	225	200	10	295	161	272	420	122	M20	323	8	71	8350

FKM

Reference	d	DN	PN	øA	B[5:2]	B[5:3]	C	C[5:1]	f	H	U	Z	g
FKOLVLM075F	75	65	10	145	80	164	175	110	M16	165	4	46	1870
FKOLVLM090F	90	80	10	160	93	178	175	110	M16	185	12	49	2670
FKOLVLM110F	110	100	10	180	107	192	272	110	M16	211	8	56	3020
FKOLVLM140F	140	125	10	210	120	212	330	110	M16	240	8	64	4700
FKOLVLM160F	160	150	10	240	134	225	330	110	M20	268	8	70	5450
FKOLVLM225F	225	200	10	295	161	272	420	122	M20	323	8	71	8350

FKM



FKOV/LM LUG ISO-DIN - Butterfly valve DN 40:400

Reference	d	DN	PN	øA	B[5:2]	B[5:3]	C	C[5:1]	f	H	U	Z	g
FKOLVLM075F0SF	75	65	10	145	80	164	175	110	M16	165	4	46	1870
FKOLVLM090F0SF	90	80	10	160	93	178	175	110	M16	185	12	49	2670
FKOLVLM110F0SF	110	100	10	180	107	192	272	110	M16	211	8	56	3020
FKOLVLM140F0SF	140	125	10	210	120	212	330	110	M16	240	8	64	4700
FKOLVLM160F0SF	160	150	10	240	134	225	330	110	M20	268	8	70	5450

FKOV/LM LUG ISO-DIN - Butterfly valve DN 40:400

- **Ergonomic handle** in HIPVC equipped with **locking and unlocking device, release, quick operation and graduated adjustment** in 10 intermediate positions (DN 40÷200). The operating range, starting from the first few degrees of valve opening, also guarantees extremely low pressure drops.
- **Customisable Labelling System:** integrated module in the handle, made of a transparent protection plug and a customisable tag holder using the LSE set (available as an accessory). The **customisation** lets you **identify the valve on the system** according to specific needs.
- **STAINLESS steel square section stem** completely isolated from the fluid complying with standard ISO 5211:
 - DN 40÷65: 11 mm
 - DN 80÷100: 14 mm
 - DN 125÷150: 17 mm
 - DN 200: 22 mm
 - DN 250÷400: 27 mm
- **Body** in polypropylene based **compound reinforced with fibreglass (PP-GR)** **resistant to UV rays** and characterised by **high mechanical strength**.
- **Drilling pattern using oval slots** that allow coupling to flanges according to numerous international standards. The special **self-centring inserts in ABS** supplied for DN 40÷200 guarantee the **correct axial alignment** of the valve during installation. For DN 250÷400 valves, the drilling pattern for the selfcentring system is of the traditional type according to DIN and ANSI standards.
- **Interchangeable liner** with the dual function of forming a hydraulic seal and isolating the body from the fluid.
- Interchangeable disk in PVC-U with through shaft, available in different thermoplastic materials: PP-H, PVC-C, ABS, PVDF
- Overall dimensions of the valve in accordance with standard ISO 5752 (DN 40÷200 Medium Series 25, DN 250÷ 300 Long Series 16) and DIN 3202 K2 and ISO 5752 (DN 65÷200 K2, DN 250÷300 K3)
- Can also be installed as an end line valve, bottom discharge valve or tank dump valve
- **Special Lug version** PN 10 fully drilled to DIN 2501 or ANSI B16.5 cl.150 with **molded-in AISI 316 STAINLESS steel threaded inserts**
- **Valve material compatibility** (PVC-U + EPDM) with water conveyance, drinking water and other food substances according to **current regulations**
- Possibility of installing a manual reducer or pneumatic and/or electric actuators by applying an ISO standard drilling PP-GR flanges. DN 40 ÷ 200 valve fitted with plate with rack in PP-GR. For actuated versions with flange drilled according to ISO 5211 F05, 07, F10. DN 250÷400 valve, fitted with one-piece top flange in high mechanical strength PP-GR with mounting flange for internal components drilled according to standard ISO 5211 F10 (excluding DN 350÷400), F12, F14.
- Possibility to have handle with integrated LSQT limit micro switch, even as a retrofit in existing installations