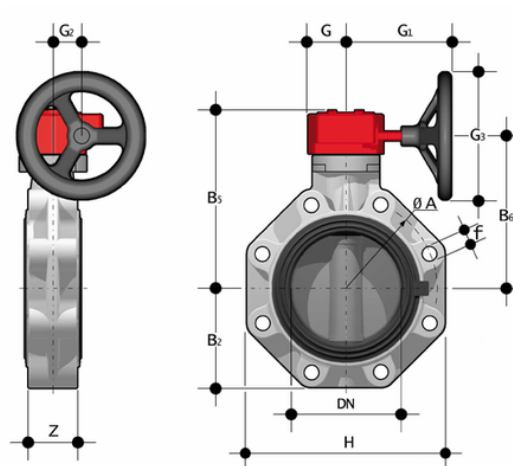


FKOC/RM LUG ANSI - Butterfly valve DN 40:300

Gearbox operated butterfly valve, version Lug ANSI.



EPDM

Reference	d	DN	PN	øA	B[5:2]	B[5:5]	B[5:6]	f	G	G[5:1]	G[5:2]	G[5:3]	H	U	Z	g
FKOALCRM212E	2" 1/2	65	10	139,7	80	174	146	5/8"	48	135	39	125	165	4	46	2908
FKOALCRM300E	3"	80	10	152,4	93	188	160	5/8"	48	135	39	125	185	12	49	3418
FKOALCRM400E	4"	100	10	190,5	107	202	174	5/8"	48	135	39	125	211	8	56	4333
FKOALCRM500E	5"	125	10	215,9	120	222	194	3/4"	48	144	39	200	240	8	64	5432
FKOALCRM600E	6"	150	10	241,3	134	235	207	3/4"	48	144	39	200	268	8	70	6907
FKOALCRM800E	8"	200	10	298,4	161	287	256	3/4"	65	204	60	200	323	8	71	10591
FKOALCRM810E	10"	250	6	362	210	317	281	7/8"	88	236	76	250	405	12	114	23400
FKOALCRM812E	12"	300	6	431,8	245	374	338	7/8"	88	236	76	250	475	12	114	30400

FKM

Reference	d	DN	PN	øA	B[5:2]	B[5:5]	B[5:6]	f	G	G[5:1]	G[5:2]	G[5:3]	H	U	Z	g
FKOALCRM212F	2" 1/2	65	10	139,7	80	174	146	5/8"	48	135	39	125	165	4	46	2908
FKOALCRM300F	3"	80	10	152,4	93	188	160	5/8"	48	135	39	125	185	12	49	3418
FKOALCRM400F	4"	100	10	190,5	107	202	174	5/8"	48	135	39	125	211	8	56	4333
FKOALCRM500F	5"	125	10	215,9	120	222	194	3/4"	48	144	39	200	240	8	64	5432
FKOALCRM600F	6"	150	10	241,3	134	235	207	3/4"	48	144	39	200	268	8	70	6907
FKOALCRM800F	8"	200	10	298,4	161	287	256	3/4"	65	204	60	200	323	8	71	10591

FKOC/RM LUG ANSI - Butterfly valve DN 40:300

Reference	d	DN	PN	øA	B[5:2]	B[5:5]	B[5:6]	f	G	G[5:1]	G[5:2]	G[5:3]	H	U	Z	g
FKOALCRM810F	10"	250	6	362	210	317	281	7/8"	88	236	76	250	405	12	114	23400
FKOALCRM812F	12"	300	6	431,8	245	374	338	7/8"	88	236	76	250	475	12	114	30400

FKM

Reference	d	DN	PN	øA	B[5:2]	B[5:5]	B[5:6]	f	G	G[5:1]	G[5:2]	G[5:3]	H	U	Z	g
FKOALCRM212F0SF	2" 1/2	65	10	139,7	80	174	146	5/8"	48	135	39	125	165	4	46	2908
FKOALCRM300F0SF	3"	80	10	152,4	93	188	160	5/8"	48	135	39	125	185	12	49	3418
FKOALCRM400F0SF	4"	100	10	190,5	107	202	174	5/8"	48	135	39	125	211	8	56	4333
FKOALCRM500F0SF	5"	125	10	215,9	120	222	194	3/4"	48	144	39	200	240	8	64	5432
FKOALCRM600F0SF	6"	150	10	241,3	134	235	207	3/4"	48	144	39	200	268	8	70	6907

FKOC/RM LUG ANSI – Butterfly valve DN 40:300

- Ergonomic handle in HIPVC equipped with **locking and unlocking device, release, quick operation and graduated adjustment** in 10 intermediate positions (DN 40÷200). The operating range, starting from the first few degrees of valve opening, also guarantees extremely low pressure drops.
- **Customisable Labelling System:** integrated module in the handle, made of a transparent protection plug and a customisable tag holder using the LSE set (available as an accessory). The **customisation** lets you **identify the valve on the system** according to specific needs.
- **STAINLESS steel square section stem** completely isolated from the fluid complying with standard ISO 5211:
 - DN 40÷65: 11 mm
 - DN 80÷100: 14 mm
 - DN 125÷150: 17 mm
 - DN 200: 22 mm
 - DN 250÷300: 27 mm
- **Body** in polypropylene based **compound reinforced with fibreglass (PP-GR)** **resistant to UV rays** and characterised by **high mechanical strength**.
- **Drilling pattern using oval slots** that allow coupling to flanges according to numerous international standards. The special **self-centring inserts in ABS** supplied for DN 40÷200 guarantee the **correct axial alignment** of the valve during installation. For DN 250÷400 valves, the drilling pattern for the selfcentring system is of the traditional type according to DIN and ANSI standards.
- **Interchangeable liner** with the dual function of forming a hydraulic seal and isolating the body from the fluid.
- Interchangeable Disk in PVC-C with through shaft, available in different thermoplastic materials: PVC-U, PP-H, ABS, PVDF
- Overall dimensions of the valve in accordance with standard ISO 5752 (DN 40÷200 Medium Series 25, DN 250÷ 300 Long Series 16) and DIN 3202 K2 and ISO 5752 (DN 65÷200 K2, DN 250÷300 K3)
- Can also be installed as an end line valve, bottom discharge valve or tank dump valve
- **Special Lug version** PN 10 fully drilled to DIN 2501 or ANSI B16.5 cl.150 with **molded-in AISI 316 stainless steel threaded inserts**
- Possibility of installing a manual reducer or pneumatic and/or electric actuators by applying ISO standard drilling pattern PP-GR flanges. DN 40 ÷ 200 valve fitted with plate with rack in PP-GR. For actuated versions with flange drilled according to ISO 5211 F05, F07, F10
- DN 250÷300 valve, fitted with one-piece top flange in high mechanical strength PP-GR with mounting flange for internal components with drilling according to standard ISO 5211 F10, F12, F14
- Possibility to have handle with integrated LSQT limit micro switch, even as a retrofit in existing installations