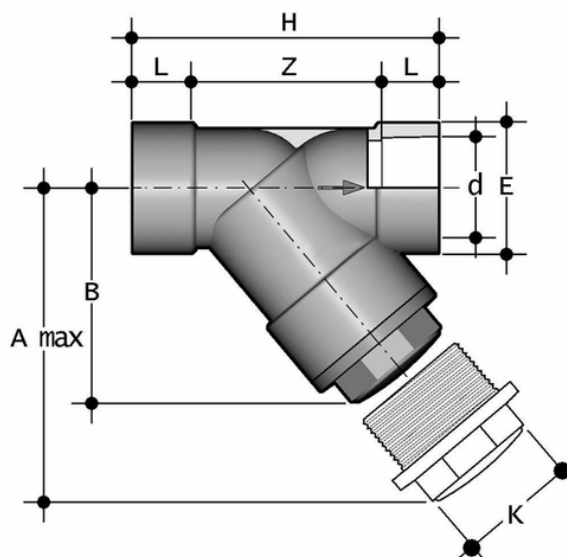


# RVIV-RVIT - Sediment strainer DN 10:100

RVIV PVC-U rigid - RVIT PVC-U transparent.  
Sediment strainer with female ends for solvent welding.



## EPDM

| Reference | d   | DN  | PN RVIV | PN RVIT | A max | B   | E   | H   | K   | L  | Z   | Fig. | g    |
|-----------|-----|-----|---------|---------|-------|-----|-----|-----|-----|----|-----|------|------|
| RVIV075E  | 75  | 65  | 10      | 6       | 300   | 179 | 104 | 243 | 96  | 33 | 155 | B    | 2385 |
| RVIV090E  | 90  | 80  | 6       | 4       | 325   | 192 | 116 | 262 | 105 | 37 | 160 | B    | 2975 |
| RVIV110E  | 110 | 100 | 6       | 4       | 385   | 231 | 138 | 325 | -   | 61 | 203 | C    | 4610 |
| RVIT075E  | 75  | 65  | 10      | 6       | 300   | 179 | 104 | 243 | 96  | 33 | 155 | B    | 2385 |
| RVIT090E  | 90  | 80  | 6       | 4       | 325   | 192 | 116 | 262 | 105 | 37 | 160 | B    | 2975 |
| RVIT110E  | 110 | 100 | 6       | 4       | 385   | 231 | 138 | 325 | -   | 61 | 203 | C    | 4610 |



# RVIV-RVIT – Sediment strainer DN 10:100

- Connection system for solvent weld, threaded and flanged joints
- **Strainer** mounted on an easily removed **support** that facilitates the cleaning or replacement
- **Valve material compatibility** (PVC-U) with water conveyance, drinking water and other food substances according to **current regulations**
- Can be maintained with the valve body installed