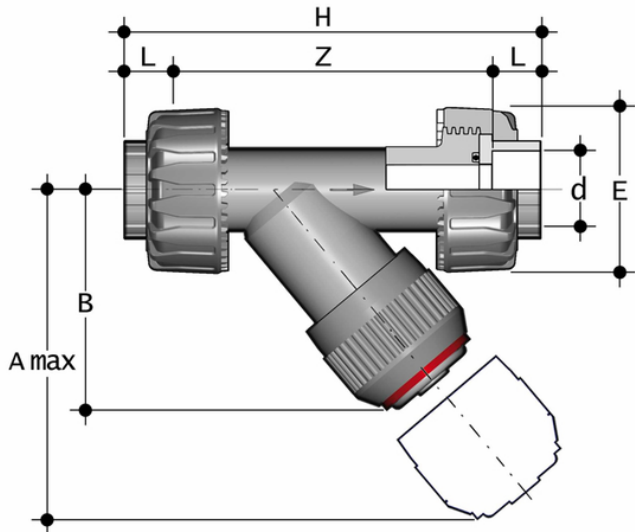


RVUIV-RVUIT - Sediment strainer DN 10:100

RVUIV PVC-U rigid - RVUIT PVC-U transparent.
Sediment strainer with female union ends for solvent welding.



EPDM

Reference	d	DN	PN RVUIV	PN RVUIT	A max	B	E	H	L	Z	Fig.	g
RVUIV016E	16	10	16	16	125	72	55	135	14	107	A	203
RVUIT050E	50	40	16	10	210	120	100	243	31	181	A	1095
RVUIT040E	40	32	16	10	190	111	87	207	26	155	A	733
RVUIT032E	32	25	16	16	165	95	75	176	22	132	A	526
RVUIT025E	25	20	16	16	145	84	66	158	19	120	A	358
RVUIT020E	20	15	16	16	125	72	55	135	16	103	A	211
RVUIT016E	16	10	16	16	125	72	55	135	14	107	A	203
RVUIV063E	63	50	16	10	240	139	120	298	38	222	A	1843
RVUIV050E	50	40	16	10	210	120	100	243	31	181	A	1095
RVUIV040E	40	32	16	10	190	111	87	207	26	155	A	733
RVUIV032E	32	25	16	16	165	95	75	176	22	132	A	526
RVUIV025E	25	20	16	16	145	84	66	158	19	120	A	358
RVUIV020E	20	15	16	16	125	72	55	135	16	103	A	211
RVUIT063E	63	50	16	10	240	139	120	298	38	222	A	1843



RVUIV-RVUIT - Sediment strainer DN 10:100

- Connection system for solvent weld, threaded and flanged joints
- **Strainer** mounted on an easily removed **support** that facilitates the cleaning or replacement
- **Valve material compatibility** (PVC-U) with water conveyance, drinking water and other food substances according to **current regulations**
- Can be maintained with the valve body installed