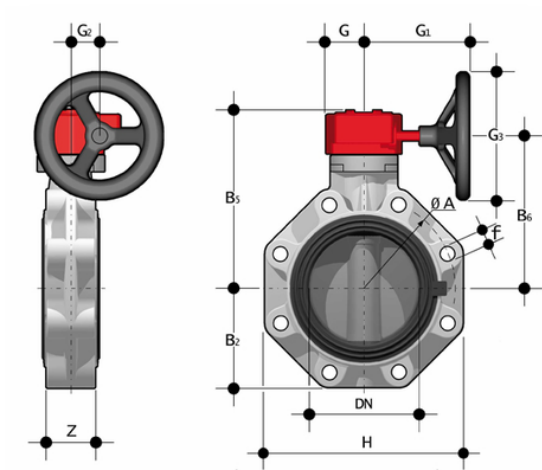


# FKOV/RM LUG ANSI - Butterfly valve DN 40:400

Gearbox operated butterfly valve, version Lug ANSI.



## EPDM

Reference	d	DN	PN	øA	B[5:2]	B[5:5]	B[5:6]	f	G	G[5:1]	G[5:2]	G[5:3]	H	U	Z	g
FKOALVRM212E	2" 1/2	65	10	139,7	80	174	146	5/8"	48	135	39	125	165	4	46	2800
FKOALVRM300E	3"	80	10	152,4	93	188	160	5/8"	48	135	39	125	185	12	49	3600
FKOALVRM400E	4"	100	10	190,5	107	202	174	5/8"	48	135	39	125	211	8	56	3950
FKOALVRM500E	5"	125	10	215,9	120	222	194	3/4"	48	144	39	200	240	8	64	6050
FKOALVRM600E	6"	150	10	241,3	134	235	207	3/4"	48	144	39	200	268	8	70	6800
FKOALVRM800E	8"	200	10	298,4	161	287	256	3/4"	65	204	60	200	323	8	71	10900
FKOALVRM810E	10"	250	6	362	210	317	281	7/8"	88	236	76	250	405	12	114	23400
FKOALVRM812E	12"	300	6	431,8	245	374	338	7/8"	88	236	76	250	475	12	114	30400

## FKM

Reference	d	DN	PN	øA	B[5:2]	B[5:5]	B[5:6]	f	G	G[5:1]	G[5:2]	G[5:3]	H	U	Z	g
FKOALVRM212F	2" 1/2	65	10	139,7	80	174	146	5/8"	48	135	39	125	165	4	46	2800
FKOALVRM300F	3"	80	10	152,4	93	188	160	5/8"	48	135	39	125	185	12	49	3600
FKOALVRM400F	4"	100	10	190,5	107	202	174	5/8"	48	135	39	125	211	8	56	3950
FKOALVRM500F	5"	125	10	215,9	120	222	194	3/4"	48	144	39	200	240	8	64	6050
FKOALVRM600F	6"	150	10	241,3	134	235	207	3/4"	48	144	39	200	268	8	70	6800
FKOALVRM800F	8"	200	10	298,4	161	287	256	3/4"	65	204	60	200	323	8	71	10900



# FKOV/RM LUG ANSI - Butterfly valve DN 40:400

Reference	d	DN	PN	øA	B[5:2]	B[5:5]	B[5:6]	f	G	G[5:1]	G[5:2]	G[5:3]	H	U	Z	g
FKOALVRM810F	10"	250	6	362	210	317	281	7/8"	88	236	76	250	405	12	114	23400
FKOALVRM812F	12"	300	6	431,8	245	374	338	7/8"	88	236	76	250	475	12	114	30400

## FKM

Reference	d	DN	PN	øA	B[5:2]	B[5:5]	B[5:6]	f	G	G[5:1]	G[5:2]	G[5:3]	H	U	Z	g
FKOALVRM212F0SF	2" 1/2	65	10	139,7	80	174	146	5/8"	48	135	39	125	165	4	46	2800
FKOALVRM300F0SF	3"	80	10	152,4	93	188	160	5/8"	48	135	39	125	185	12	49	3600
FKOALVRM400F0SF	4"	100	10	190,5	107	202	174	5/8"	48	135	39	125	211	8	56	3950
FKOALVRM500F0SF	5"	125	10	215,9	120	222	194	3/4"	48	144	39	200	240	8	64	6050
FKOALVRM600F0SF	6"	150	10	241,3	134	235	207	3/4"	48	144	39	200	268	8	70	6800

# FKOV/RM LUG ANSI - Butterfly valve DN 40:400

- **Ergonomic handle** in HIPVC equipped with **locking and unlocking device, release, quick operation and graduated adjustment** in 10 intermediate positions (DN 40÷200). The operating range, starting from the first few degrees of valve opening, also guarantees extremely low pressure drops.
- **Customisable Labelling System**: integrated module in the handle, made of a transparent protection plug and a customisable tag holder using the LSE set (available as an accessory). The **customisation** lets you **identify the valve on the system** according to specific needs.
- **STAINLESS steel square section stem** completely isolated from the fluid complying with standard ISO 5211:
  - DN 40÷65: 11 mm
  - DN 80÷100: 14 mm
  - DN 125÷150: 17 mm
  - DN 200: 22 mm
  - DN 250÷400: 27 mm
- **Body** in polypropylene based **compound reinforced with fibreglass (PP-GR) resistant to UV rays** and characterised by **high mechanical strength**.
- **Drilling pattern using oval slots** that allow coupling to flanges according to numerous international standards. The special **self-centring inserts in ABS** supplied for DN 40÷200 guarantee the **correct axial alignment** of the valve during installation. For DN 250÷400 valves, the drilling pattern for the selfcentring system is of the traditional type according to DIN and ANSI standards.
- **Interchangeable liner** with the dual function of forming a hydraulic seal and isolating the body from the fluid.
- Interchangeable disk in PVC-U with through shaft, available in different thermoplastic materials: PP-H, PVC-C, ABS, PVDF
- Overall dimensions of the valve in accordance with standard ISO 5752 (DN 40÷200 Medium Series 25, DN 250÷300 Long Series 16) and DIN 3202 K2 and ISO 5752 (DN 65÷200 K2, DN 250÷300 K3)
- Can also be installed as an end line valve, bottom discharge valve or tank dump valve
- **Special Lug version PN 10** fully drilled to DIN 2501 or ANSI B16.5 cl.150 with **molded-in AISI 316 STAINLESS steel threaded inserts**
- **Valve material compatibility** (PVC-U + EPDM) with water conveyance, drinking water and other food substances according to **current regulations**
- Possibility of installing a manual reducer or pneumatic and/or electric actuators by applying an ISO standard drilling PP-GR flanges. DN 40 ÷ 200 valve fitted with plate with rack in PP-GR. For actuated versions with flange drilled according to ISO 5211 F05, 07, F10. DN 250÷400 valve, fitted with one-piece top flange in high mechanical strength PP-GR with mounting flange for internal components drilled according to standard ISO 5211 F10 (excluding DN 350÷400), F12, F14.
- Possibility to have handle with integrated LSQT limit micro switch, even as a retrofit in existing installations