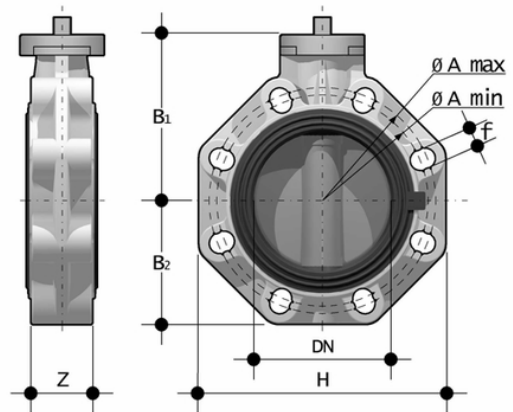


# FKOC/FM - Butterfly valve DN 40:300

Butterfly valve with bare shaft.



## EPDM

Reference	d - Size	DN	PN	A min	A max	øA	B <sub>1</sub>	B[5:2]	f	H	U	Z	g
FKOCFM050E	50 - 1 1/2"	40	16	99	109	-	106	60	19	132	4	33	597
FKOACFM810E	10"	**250	10	-	-	350	248	210	25,4	405	12	114	13654
FKOCFM315E	315	*300	8	-	-	400	305	245	29	475	12	114	17931
FKOCFM280E	280	*250	10	-	-	350	248	210	22	405	12	114	13654
FKOCFM225E	225 - 8"	200	10	280	298	-	227	161	23	323	8	71	6284
FKOCFM160E	160 - 6"	150	10	230	242	-	180	134	23	268	8	70	3524
FKOCFM140E	140 - 5"	125	10	204	215	-	167	120	23	240	8	64	2659
FKOCFM110E	110 - 4"	100	10	165	190	-	147	107	19	211	8	56	1806
FKOCFM090E	90 - 3"	80	10	145	160	-	133	93	19	185	12	49	1388
FKOCFM075E	75 - 2 1/2"	65	10	128	144	-	119	80	19	165	4	46	933
FKOCFM063E	63 - 2"	50	16	115	125,5	-	112	70	19	147	4	43	760
FKOACFM812E	12"	**300	8	-	-	400	305	245	25,4	475	12	114	17931

## FKM

Reference	d - Size	DN	PN	A min	A max	øA	B <sub>1</sub>	B[5:2]	f	H	U	Z	g
FKOCFM050F	50 - 1 1/2"	40	16	99	109	-	106	60	19	132	4	33	597
FKOACFM810F	10"	**250	10	-	-	350	248	210	25,4	405	12	114	13654



# FKOC/FM – Butterfly valve DN 40:300

Reference	d - Size	DN	PN	A min	A max	øA	B <sub>1</sub>	B[5:2]	f	H	U	Z	g
FKOCFM315F	315	*300	8	-	-	400	305	245	29	475	12	114	17931
FKOCFM280F	280	*250	10	-	-	350	248	210	22	405	12	114	13654
FKOCFM225F	225 - 8"	200	10	280	298	-	227	161	23	323	8	71	6284
FKOCFM160F	160 - 6"	150	10	230	242	-	180	134	23	268	8	70	3524
FKOCFM140F	140 - 5"	125	10	204	215	-	167	120	23	240	8	64	2659
FKOCFM110F	110 - 4"	100	10	165	190	-	147	107	19	211	8	56	1806
FKOCFM090F	90 - 3"	80	10	145	160	-	133	93	19	185	12	49	1388
FKOCFM075F	75 - 2 1/2"	65	10	128	144	-	119	80	19	165	4	46	933
FKOCFM063F	63 - 2"	50	16	115	125,5	-	112	70	19	147	4	43	760
FKOACFM812F	12"	**300	8	-	-	400	305	245	25,4	475	12	114	17931

## FKM

Reference	d - Size	DN	PN	A min	A max	øA	B <sub>1</sub>	B[5:2]	f	H	U	Z	g
FKOCFM050F0SF	50 - 1 1/2"	40	16	99	109	-	106	60	19	132	4	33	597
FKOCFM063F0SF	63 - 2"	50	16	115	125,5	-	112	70	19	147	4	43	760
FKOCFM075F0SF	75 - 2 1/2"	65	10	128	144	-	119	80	19	165	4	46	933
FKOCFM090F0SF	90 - 3"	80	10	145	160	-	133	93	19	185	12	49	1388
FKOCFM110F0SF	110 - 4"	100	10	165	190	-	147	107	19	211	8	56	1806
FKOCFM140F0SF	140 - 5"	125	10	204	215	-	167	120	23	240	8	64	2659
FKOCFM160F0SF	160 - 6"	150	10	230	242	-	180	134	23	268	8	70	3524

# FKOC/FM – Butterfly valve DN 40:300

- Ergonomic handle in HIPVC equipped with **locking and unlocking device, release, quick operation and graduated adjustment** in 10 intermediate positions (DN 40÷200). The operating range, starting from the first few degrees of valve opening, also guarantees extremely low pressure drops.
- **Customisable Labelling System:** integrated module in the handle, made of a transparent protection plug and a customisable tag holder using the LSE set (available as an accessory). The **customisation** lets you **identify the valve on the system** according to specific needs.
- **STAINLESS steel square section stem** completely isolated from the fluid complying with standard ISO 5211:
  - DN 40÷65: 11 mm
  - DN 80÷100: 14 mm
  - DN 125÷150: 17 mm
  - DN 200: 22 mm
  - DN 250÷300: 27 mm
- **Body** in polypropylene based **compound reinforced with fibreglass (PP-GR)** **resistant to UV rays** and characterised by **high mechanical strength**.
- **Drilling pattern using oval slots** that allow coupling to flanges according to numerous international standards. The special **self-centring inserts in ABS** supplied for DN 40÷200 guarantee the **correct axial alignment** of the valve during installation. For DN 250÷400 valves, the drilling pattern for the selfcentring system is of the traditional type according to DIN and ANSI standards.
- **Interchangeable liner** with the dual function of forming a hydraulic seal and isolating the body from the fluid.
- Interchangeable Disk in PVC-C with through shaft, available in different thermoplastic materials: PVC-U, PP-H, ABS, PVDF
- Overall dimensions of the valve in accordance with standard ISO 5752 (DN 40÷200 Medium Series 25, DN 250÷ 300 Long Series 16) and DIN 3202 K2 and ISO 5752 (DN 65÷200 K2, DN 250÷300 K3)
- Can also be installed as an end line valve, bottom discharge valve or tank dump valve
- **Special Lug version** PN 10 fully drilled to DIN 2501 or ANSI B16.5 cl.150 with **molded-in AISI 316 stainless steel threaded inserts**
- Possibility of installing a manual reducer or pneumatic and/or electric actuators by applying ISO standard drilling pattern PP-GR flanges. DN 40 ÷ 200 valve fitted with plate with rack in PP-GR. For actuated versions with flange drilled according to ISO 5211 F05, F07, F10
- DN 250÷300 valve, fitted with one-piece top flange in high mechanical strength PP-GR with mounting flange for internal components with drilling according to standard ISO 5211 F10, F12, F14
- Possibility to have handle with integrated LSQT limit micro switch, even as a retrofit in existing installations