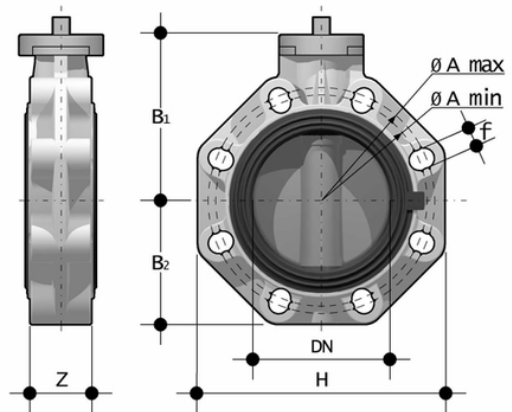


FKOF/FM – Butterfly valve DN 40:400

Butterfly valve with bare shaft.



Reference	d – Size	DN	PN	A min	A max	øA	B ₁	B[5:2]	f	H	U	Z	g
FKOFFM225F	225 – 8"	200	10	280	298	–	227	161	23	323	8	71	6300
FKOFFM140F	140 – 5"	125	10	204	215	–	167	120	23	240	8	64	2750
FKOFFM110F	110 – 4"	100	10	165	190	–	147	107	19	211	8	56	1900
FKOFFM090F	90 – 3"	80	10	145	160	–	133	93	19	185	12	49	1550
FKOFFM075F	75 – 2 1/2"	65	10	128	144	–	119	80	19	165	4	46	1100
FKOFFM063F	63 – 2"	50	16	115	125,5	–	112	70	19	147	4	43	854
FKOFFM050F	50 – 1 1/2"	40	16	99	109	–	106	60	19	132	4	33	674
FKOFFM280F	250	*250	10	–	–	350	248	210	22	405	12	114	13000
FKOAFM816F	16"	**400	6	–	540	–	350	306	28,5	594	16	169	37295
FKOAFM814F	14"	**350	7	–	476	–	330	280	28,5	530	12	129	28395
FKOFFM400F	400	*400	6	–	515	–	350	306	26	594	16	169	37295
FKOFFM355F	355	*350	7	–	460	–	330	280	22	530	16	129	28395
FKOAFM812F	12"	**300	8	–	–	432	305	245	25,4	475	12	114	21000
FKOAFM810F	10"	**250	10	–	–	362	248	210	25,4	405	12	114	13000
FKOFFM315F	315	*300	8	–	–	400	305	245	22	475	12	114	21000
FKOFFM280F	280	*250	10	–	–	350	248	210	22	405	12	114	13000
FKOFFM160F	160 – 6"	150	10	230	242	–	180	134	23	268	8	70	3550

FKOF/FM – Butterfly valve DN 40:400

- **Ergonomic handle** in HIPVC equipped with **locking and unlocking device, release, quick operation and graduated adjustment** in 10 intermediate positions (DN 40÷200). The operating range, starting from the first few degrees of valve opening, also guarantees extremely low pressure drops
- **Customisable Labelling System:** integrated module in the handle, made of a transparent protection plug and a customisable tag holder using the LSE set (available as an accessory). The **customisation** lets you **identify the valve on the system** according to specific needs
- **STAINLESS steel square section stem** completely isolated from the fluid complying with standard ISO 5211:
 - DN 40÷65: 11 mm
 - DN 80÷100: 14 mm
 - DN 125÷150: 17 mm
 - DN 200: 22 mm
 - DN 250÷400: 27 mm
- **Body** in polypropylene based **compound reinforced with fibreglass (PP-GR) resistant to UV rays** and characterised by **high mechanical strength**
- **Drilling pattern using oval slots** that allow coupling to flanges according to numerous international standards. The special **self-centring inserts in ABS** supplied for DN 40÷200 guarantee the **correct axial alignment** of the valve during installation. For DN 250÷400 valves, the drilling pattern for the selfcentring system is of the traditional type according to DIN and ANSI standards
- **Interchangeable liner** with the dual function of forming a hydraulic seal and isolating the body from the fluid
- Interchangeable Disk in PVDF with through shaft, available in different thermoplastic materials: PVC-U, PP-H, PVC-C, ABS
- Overall dimensions of the valve in accordance with standard ISO 5752 (DN 40÷200 Medium Series 25, DN 250÷300 Long Series 16) and DIN 3202 K2 and ISO 5752 (DN 65÷200 K2, DN 250÷300 K3)
- Can also be installed as an end line valve, bottom discharge valve or tank dump valve
- **Special Lug version** PN 10 fully drilled according to DIN 2501 or ANSI B16.5 cl.150 **with molded-in AISI 316 stainless steel threaded inserts**
- Possibility of installing a manual reducer or pneumatic and/or electric actuators by applying an ISO standard drilling PP-GR flanges. DN 40 ÷ 200 valve equipped with plate with rack in PP-GR. For actuated versions with flange drilled according to ISO 5211 F05, F07, F10. DN 250÷300 valve, fitted with one-piece top flange in high mechanical strength PP-GR with mounting flange for internal components drilled according to standard ISO 5211 F10 (excluding DN 350÷400), F12, F14
- Possibility to have handle with integrated LSQT limit micro switch, even as a retrofit in existing installations